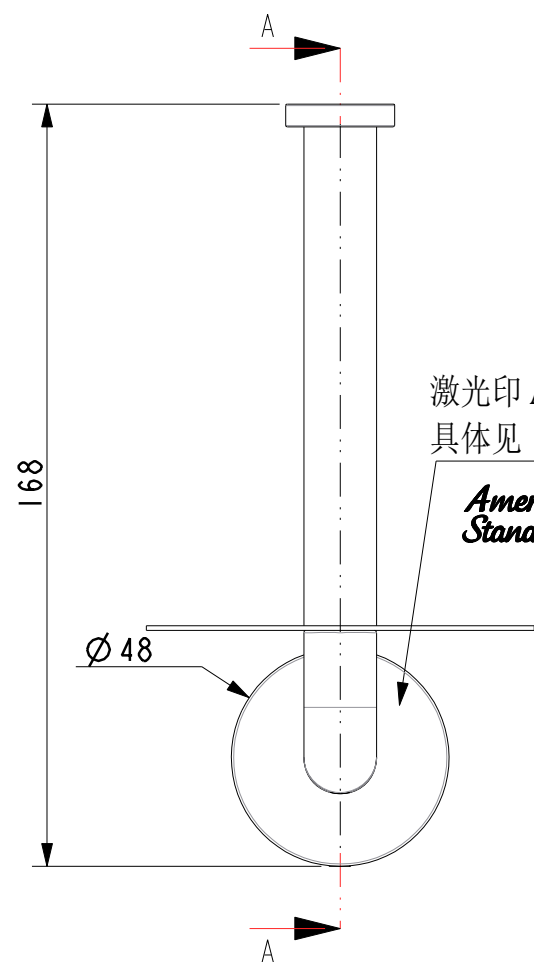
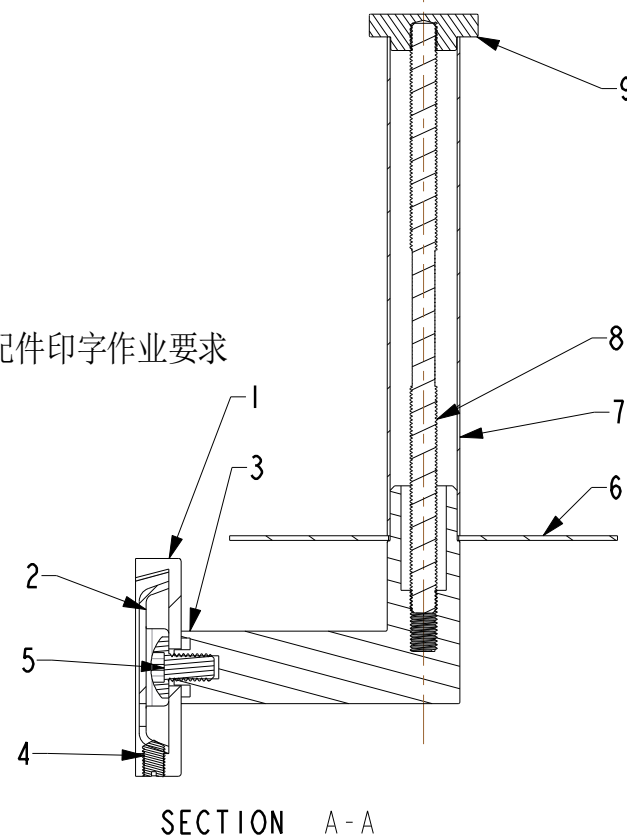


Tolerance, Unless Otherwise Stated, Is		
Above 0.5 to and including 6	±0.1	
Excess 6 to and including 30	±0.2	
Excess 30 to and including 120	±0.3	
Excess 120 to and including 315	±0.5	
Excess 315 to and including 1000	±0.8	
Excess 1000 to and including 2000	±1.2	

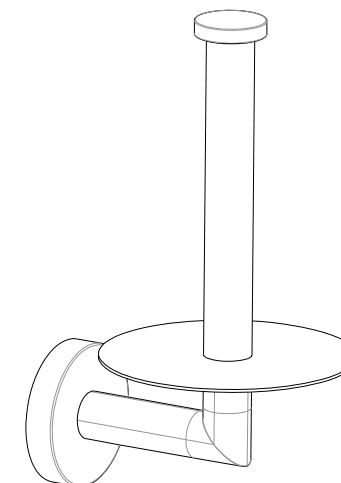


激光印 AS\_Logo,字宽 18,  
具体见《WI09.2127》-概念浴室配件印字作业要求

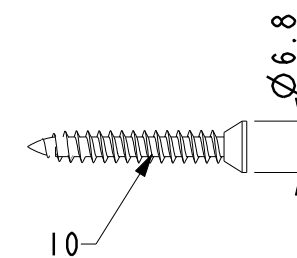
*American  
Standard*



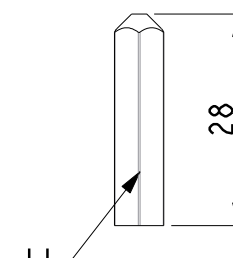
SECTION A-A



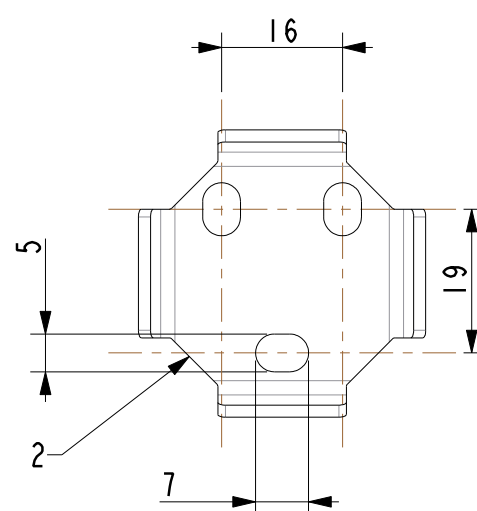
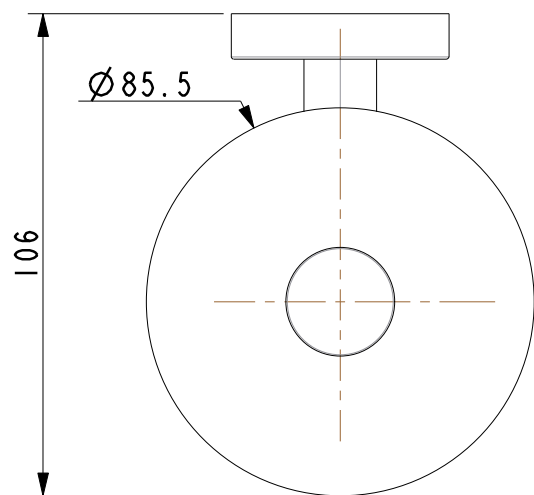
SCALE 0.400



SCALE 1.000



SCALE 1.000



SCALE 1.000

技术要求:

- 按《WI10.3204》浴室配件进货检验标准检验;
- 所有尺寸为一般尺寸。

序号	料号	名称与描述	材料	数量	备注
11	159Z148107	胀套	PA66	3	
10	159Z148106	自攻螺钉ST4*28	SUS201	3	
9	159Z148704	顶盖	Hpb59-1	1	抛光镀铬
8	159Z148703	支管	H62	1	抛光镀铬
7	159Z148702	螺杆	SUS201	1	
6	159Z148801	装饰板	SUS304	1	抛光镀铬
5	159Z148105	本体螺钉M6*10	SUS201	1	
4	159Z148104	支座螺钉M5*8	SUS201	1	
3	159Z148701	概念圆本体	ZZnA14-1	1	抛光镀铬
2	159Z148102	概念圆固定垫片	SUS201	1	
1	159Z148101	概念圆支座	ZZnA14-1	1	抛光镀铬

DESIGNED			TITLE
CHECKED			REF
APPROVED			概念圆竖置纸巾架
SCALE	MATERIAL	WEIGHT	DWG NO.
0.600	Assembly		FFAS1488-908500BF0

*American  
Standard*

REV	DESCRIPTION	DATE	NAME