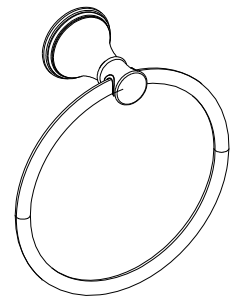
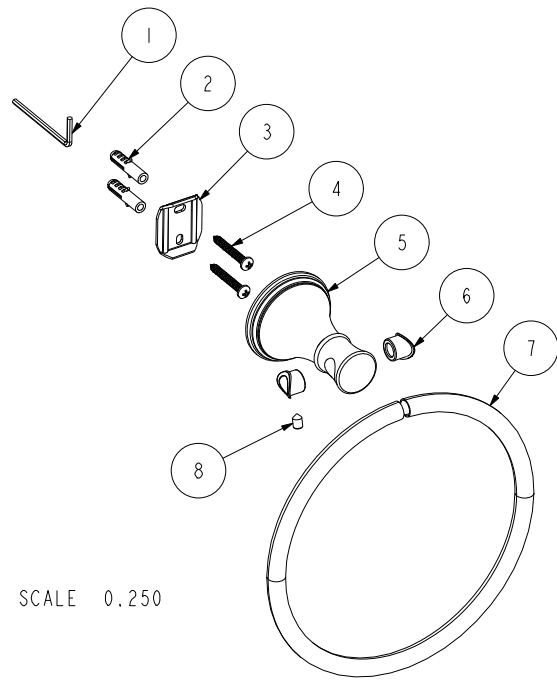


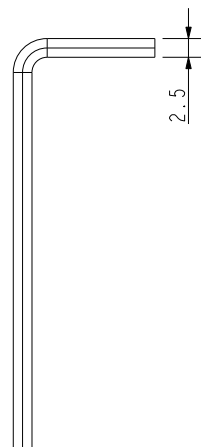
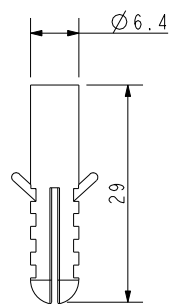
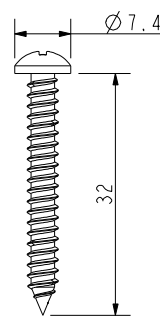
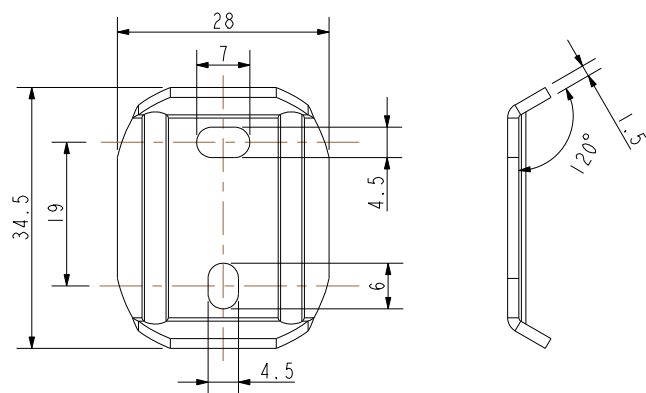
Tolerance, Unless Otherwise Stated, Is			
Above	0.5 to and including	6	±0.1
Excess	6 to and including	30	±0.2
Excess	30 to and including	120	±0.3
Excess	120 to and including	315	±0.5
Excess	315 to and including	1000	±0.8
Excess	1000 to and including	2000	±1.2



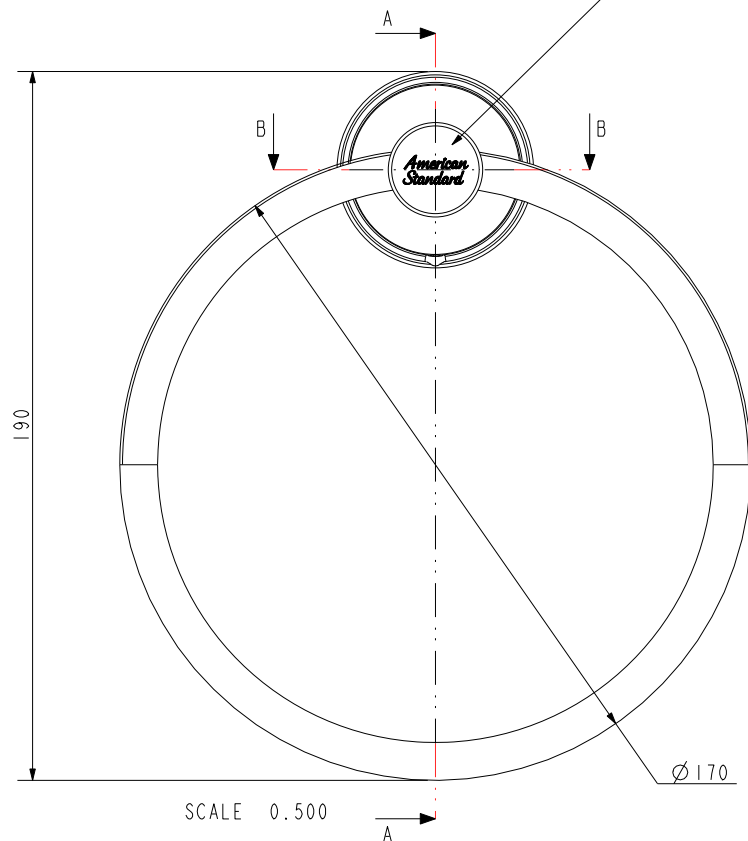
SCALE 0.200



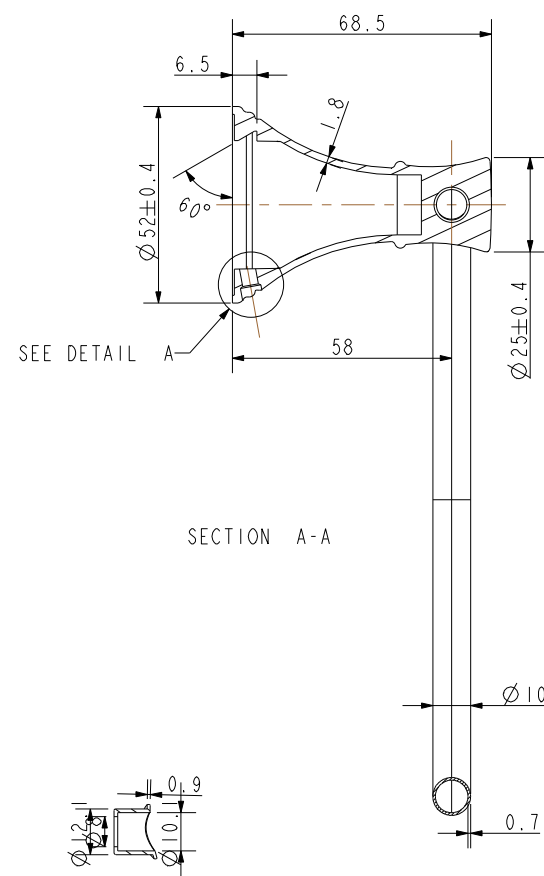
SCALE 0.250



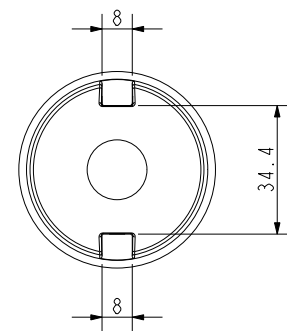
在底座正面用激光印AS\_Logo, 字宽18mm



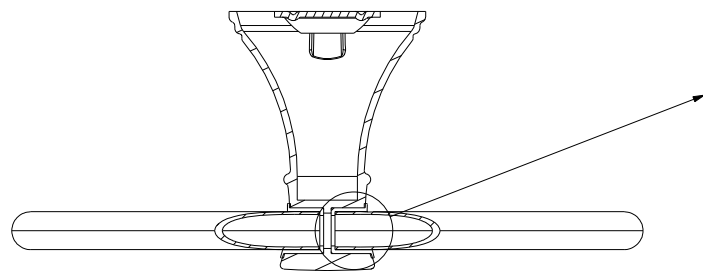
SCALE 0.500



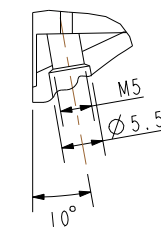
SECTION A-A



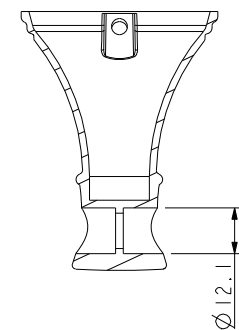
底座背面



SECTION B-B



DETAIL A  
SCALE 1.000



SECTION B-B  
SCALE 0.500

技术要求:

- 1、所有尺寸均为一般尺寸。
- 2、具体按W110.3204《浴室配件》进货检验标准检验。
- 3、塑料衬套不应有飞边。
- 4、包装清单见下表:

包装	内容 / 编号	备注
1、内盒	FFI-CN521K00001177	AS黑色彩盒
2、外箱	FFI-CN521K00001184	装箱数: 24pcs
3、说明书	FFI-CN521K00001157	
4、内盒标签	FFI-CN521K00001159	居中贴在内盒左侧无Logo面
5、外箱标签	FFI-CN521K00001168	一个外箱贴两张
6、盒内包材	主体: 珍珠棉袋19*23CM 配件: 6*8CM	

NO.	Part No.	Part Name	QTY	Material	Remark
8	FFI-CN521Z9Z029512	内六角螺钉M5*8	1	SUS304	锥头
7	FFI-CN521Z9Z029003	毛巾环	1	H62	镀铬
6	FFI-CN521Z9Z029002	堵头	2	PA	
5	FFI-CN521Z9Z029001	毛巾环底座	1	HPb59-1	抛光镀铬
4	FFI-CN521Z9Z138107	ST4.2自攻螺丝	2	SUS304	
3	FFI-CN521Z9Z029505	安装底片	1	SUS304	
2	FFI-CN521Z9Z138108	Ø6塑料膨胀管	2	PA66	
1	FFI-CN521Z9Z138109	内六角扳手2.5	1	A3	

DESIGNED	TITLE			
CHECKED	REF			
APPROVED	典雅毛巾环			
SCALE	MATERIAL	WEIGHT	DWG NO.	
0.500	Assembly		FFAS0290-908500BC0	

**American  
Standard**

REV	DESCRIPTION	DATE	NAME