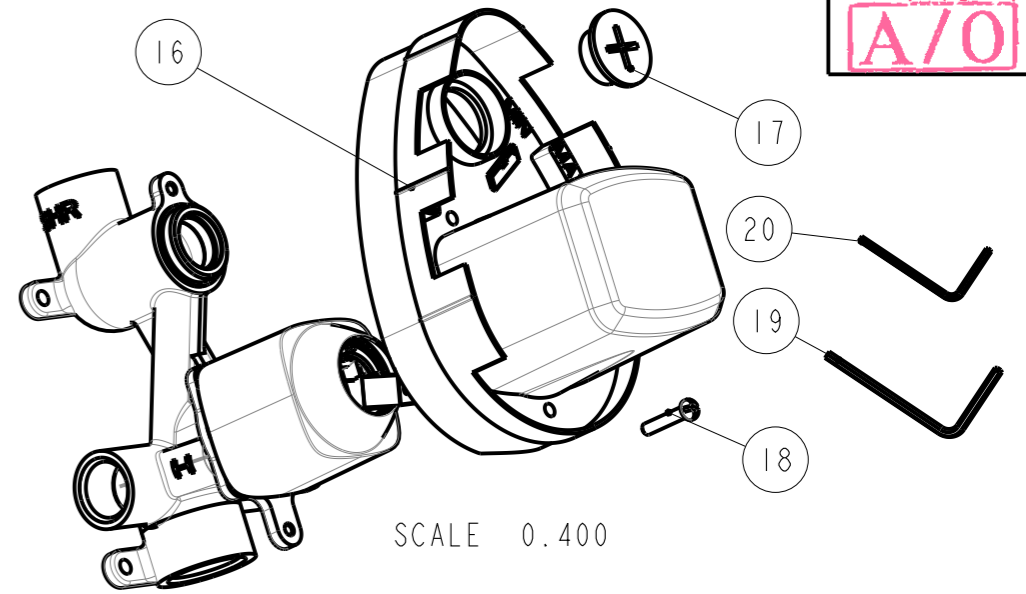
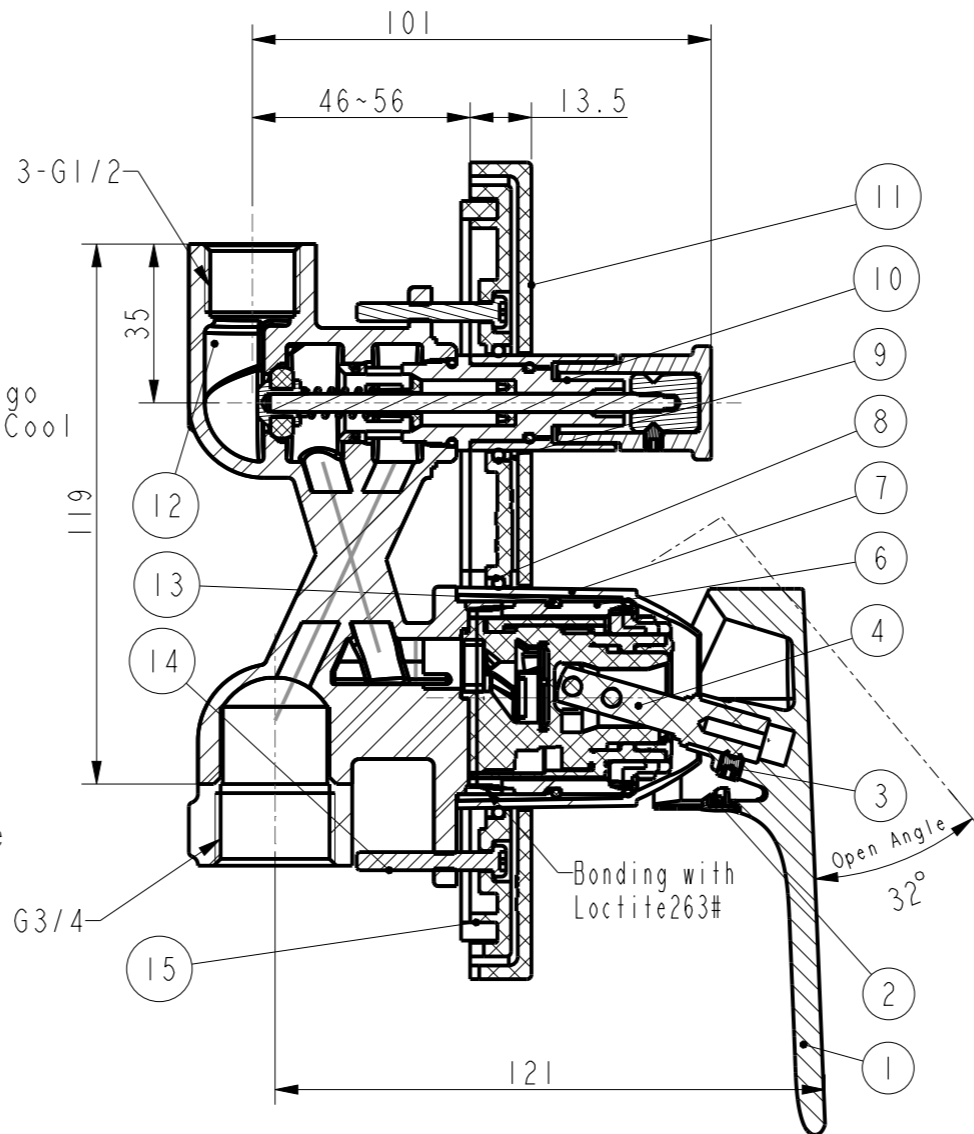
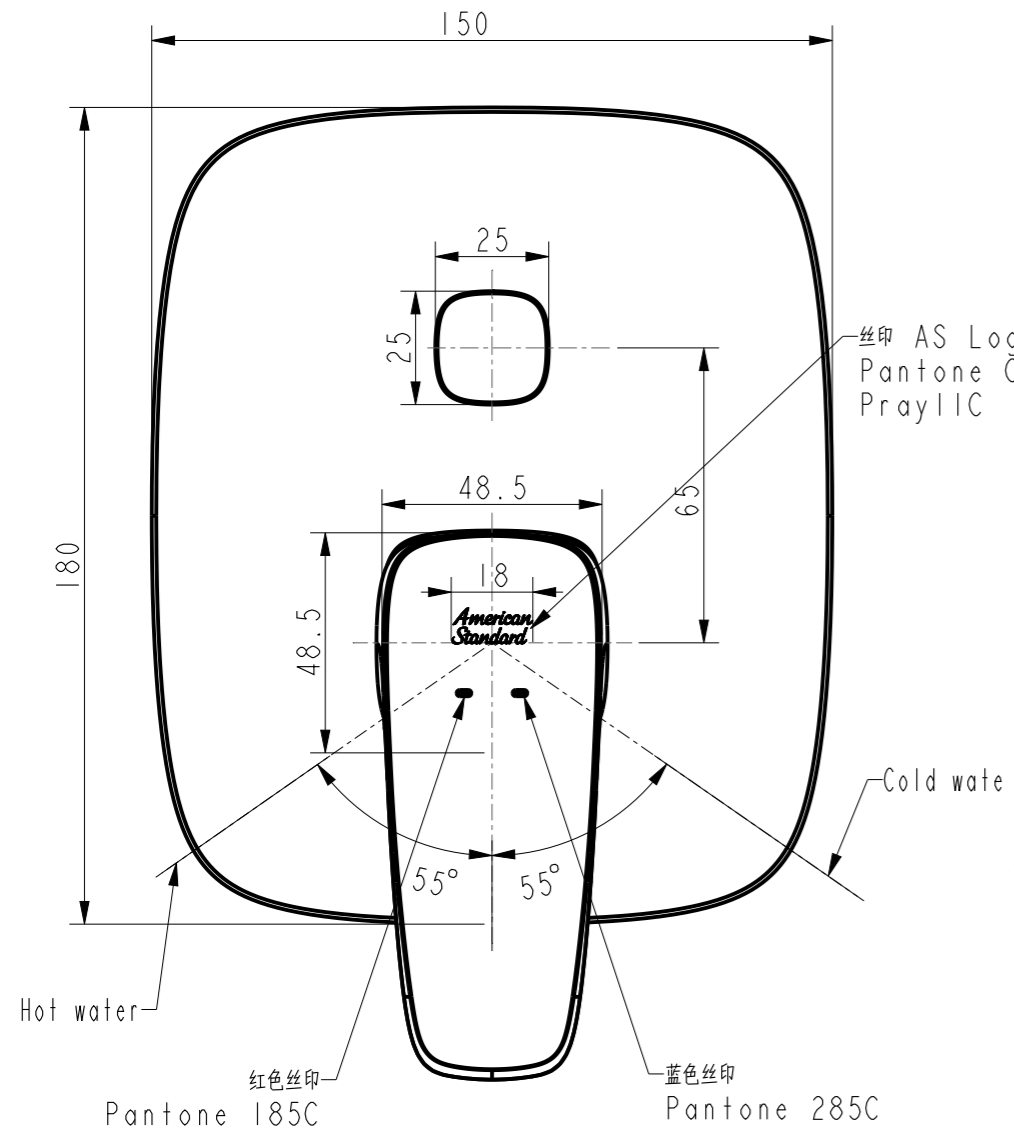


2024年6月19日
A/O

Tolerance, Unless Otherwise Stated, Is			
Above 0.5 to and including 6	6	±0.1	
Excess 6 to and including 30	30	±0.2	
Excess 30 to and including 120	120	±0.3	
Excess 120 to and including 315	315	±0.5	
Excess 315 to and including 1000	1000	±0.8	
Excess 1000 to and including 2000	2000	±1.2	



No.	Part No.	Part Name	QTY	Material	Finish
20	FF1-CN521Z00000253	1582361499\六方扳手 (对边2.0)	1	Q235-A	
19	FF1-CN521Z00000254	1582361599\H01入墙式混水阀内六方板手	1	Q235-A	
18	FF1-CN521N00000268	158K618253\螺钉(M4X20)	1	SUS304	
17	FF1-CN521Z00000107	15810806P4\丽晶入墙式换向阀组件孔保护盖	1	PA	
16	FF1-CN521Z00000213	1582241099\入墙上提拉本体保护套	1	PA	
15	FF1-CN521K00000034	新典入墙面板胶带(海绵垫)4*8*570mm	1	E.V.A	
14	FF1-CN521N00000185	1581839699\感应冲洗阀紧固板紧固螺钉	2	SUS304	
13	FF1-CN521G00000143	1581218599\O型圈 29.82*2.62	1	NBR	
12	FFZ0021-0027599MC	1721入墙式浴缸龙头本体 (AA, 加工件)	1	DZR Brass	
11	FF1-CN521F0006999P	1721入墙浴缸龙头固定板	1	ABS	
	FF1-CN521G00000291	158A912789\O环(7X2)(Water Mark)	4	NBR	
	FF1-CN521J00000214	158180199\U入墙面板通用固定销钉	4	HPb59-1	
	FF1-CN521F00071GLP	1721入墙浴缸龙头面板-喜悦金	1	ABS	PVD
10	FF1-CN521L00063GLX	1721入墙切换阀把手-喜悦金	1	ZZnAl4-1	PVD
	FF1-CN521J00155GLB	1721入墙切换阀铜套-喜悦金	1	HPb59-1	PVD
	FF1-CN521G00000268	158A912682\O环(Φ11.2*2.0)	1	NBR	
	FF1-CN521J00000158	1580931999\新典入墙式切换阀连接套	1	HPb59-1	CP
	FF1-CN521N00000128	1581740799\锁紧螺钉 M4*0.7	1	SUS304	
	FF1-CN521X0022599B	1721换向杆组件(换向杆+底座)	1	Assembly	
	FF1-CN521J0015350B	1721入墙式切换阀座	1	HPb59-1	CP
	FF1-CN521G00000354	1591195599\U型密封圈-Φ11.7*4,完成品	1	NBR	
	FF1-CN521G00000257	158A912644\O环15.6*1.78(A912644)(特)(BLA	1	NBR	
	FF1-CN521Z00000441	1592328499\定位套 Φ11*11,完成品	1	POM	
9	FF1-CN521G00000113	1581212799\O型圈 13.5*1.5	1	NBR	
	FF1-CN521Z00000178	1581601799\科丽换向阀组件弹簧	1	SUS304	
	FF1-CN521G00000347	1591176199\密封圈 Φ15.8*5,完成品	1	NBR	
	FF1-CN521G0004799R	1721切换阀铜套密封圈	1	NBR	
	FF1-CN521G0004699R	1721阀芯铜套密封圈	1	NBR	
	FF1-CN521F00087GLP	1721入墙阀芯顶盖-喜悦金	1	ABS	PVD
	FF1-CN521N0007399B	1721阀芯锁紧螺母	1	HPb59-1	
	FF1-CN521C0002499P	G35平脚阀芯 (408556840)	1	Assembly	
	FF1-CN521N00001099	内六角凹面端紧定螺丝M5X6(机加工)	1	SUS304	
	FF1-CN521ZGL004950	把手孔塞-喜悦金	1	ABS	PVD
1	FF1-CN521L00065GLX	1711挂墙式浴缸龙头把手-喜悦金	1	ZZnAl4-1	PVD

技术要求:

1. 移印美标商标图案 位置如图示。字长18mm,颜色pantone冷灰色LIC
2. 颜色零件符合《W110.0575_PVD外观检验标准》
3. 移印符合《W110.4810_移印检验标准》
4. 产品符合W110.0504、W110.0507和GB18145的要求。

REV	DESCRIPTION	DATE	NAME

DESIGNED	CHECKED	APPROVED	SCALE	MATERIAL	WEIGHT	DWG NO.	TITLE
利华斌	张	张	3:5	Assembly		FFAS1721-609GLOBF0	纤格入墙式浴缸龙头控制阀_喜悦金
20240618	2024.06.18	2024.6.18					Signature Concealed Bath & Shower Mixe_GLO
							REF

American Standard