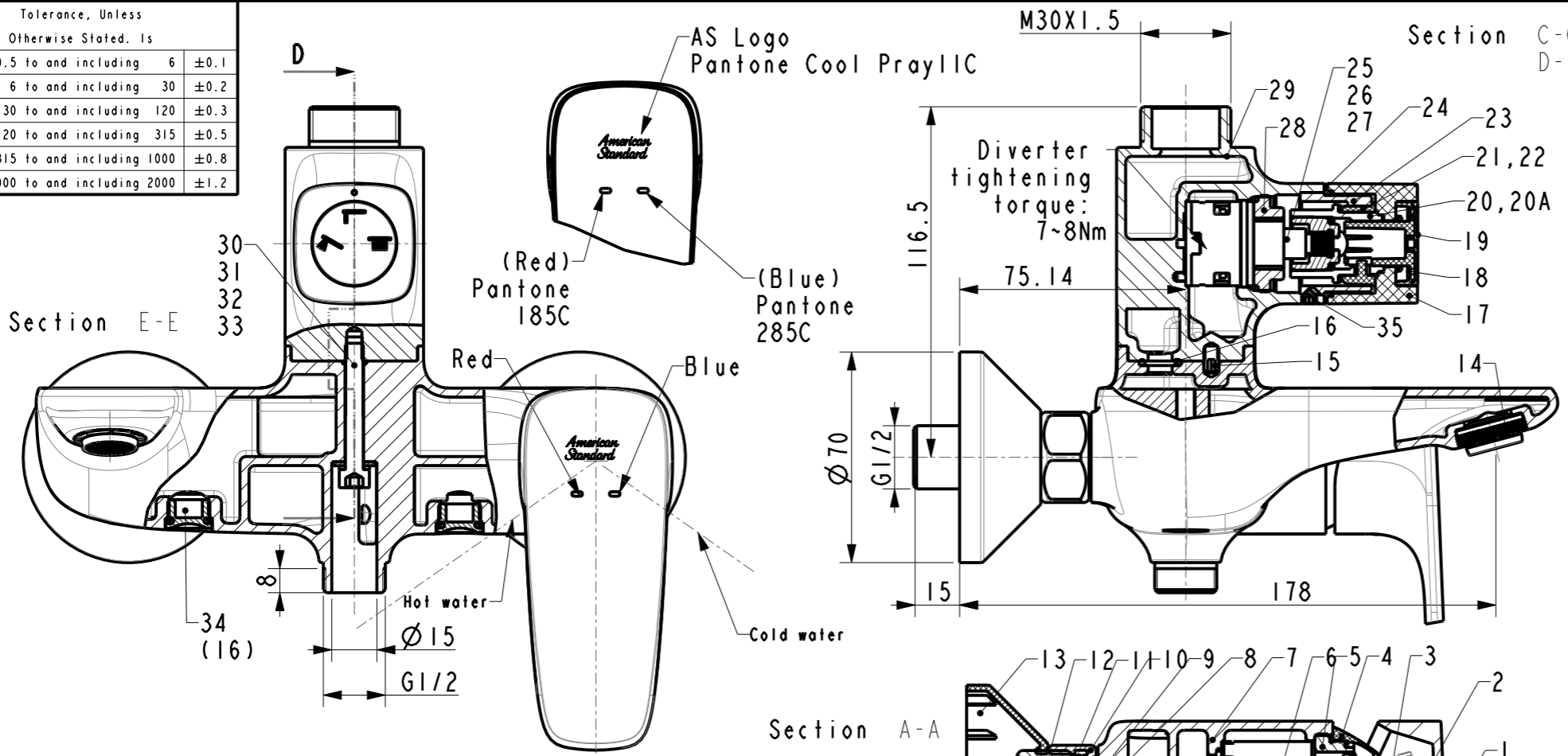
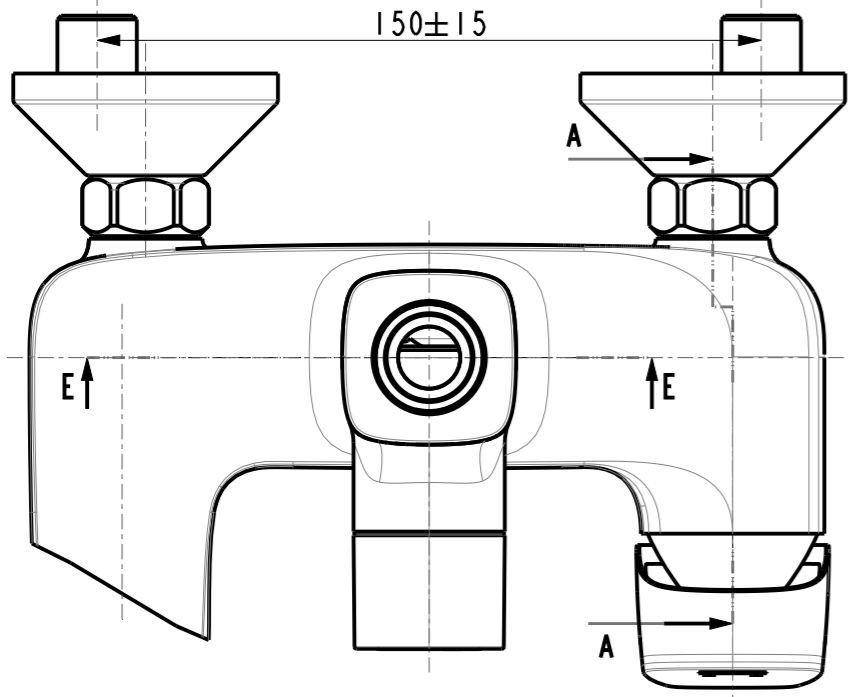
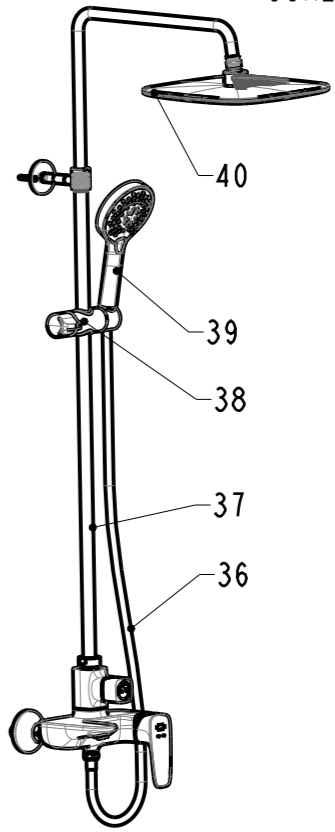


Tolerance, Unless Otherwise Stated, Is			
Above 0.5 to and including 6	±0.1	6	±0.1
Excess 6 to and including 30	±0.2	30	±0.2
Excess 30 to and including 120	±0.3	120	±0.3
Excess 120 to and including 315	±0.5	315	±0.5
Excess 315 to and including 1000	±0.8	1000	±0.8
Excess 1000 to and including 2000	±1.2	2000	±1.2

2024年6月19日
A/O



SCALE 0.080



Cartridge tightening torque:
10~12N.m

Diverter tightening torque:
7~8Nm

No.	Code	Name and description	Qty	Material	Remark
17	FF1-CN521L00069A0P	Signature diverter handle	1	ABS	
16	FF1-CN521G00000276	O ring $\phi 10 \times \phi 2$	5	NBR	
15	FF1-CN521N00000184	Screw M5	1	SUS304	
14	FF1-CN521SLB0000050	1585007050\M24X1 SLIM Air Aerator	1	Part	
13	FF1-CN521FA00000094	Cover	2	ABS	
12	FF1-CN521J000000242	S connector G1/2 - G3/4	2	SUS304	
11	FF1-CN521G000000341	Washer $\phi 24 \times \phi 15 \times 2$	2	NBR	
10	FF1-CN521N000000291	Nut G3/4	2	HPb59-1	
9	FF1-CN521G000000112	O-ring 15.6*1.78	2	NBR	
8	FF1-CN521W000000048	THREADED NIPPLE	2	SUS304	
7	FFZZ0021-00246A0PL	Signature rain shower faucet body	1	GkMs60Fk	
6	FF1-CN521C0002499P	Grohe 35mm Cartridge	1	Part	
5	FF1-CN521N0005599B	35mm cartridge nut	1	HPb59-1	
4	FF1-CN521F00074A0P	35mm cartridge cover	1	ABS	
3	FF1-CN521Z000049A0	Handle cover	1	ABS	
2	FF1-CN521N00001099	Handle Screw M5*6	1	SUS304	
1	FF1-CN521L00065A0X	Signature exposed BS mixer handle	1	ZZnAl4-1	

40	FFASS044-006A00BC0	10" R&S Shower Head	1	Components	
39	FF1-CN521HA00605AP	Signature 3F Hand Shower	1	Components	
38	FF1-CN521Z00115A0P	Easy Slide Shower Holder	1	Components	
37	FFAS9A09-000A00BC0	Rain Shower Kit	1	Components	
36	FF1-CN521TA009450P	1.5m Shower Hose	1	Components	

35	FF1-CN521N00000187	Screw M5*5	1	SUS304	
34	FF1-CN521ZA0001099	Plug for A52 Body	2	HPb59-1	
33	FF1-CN521Z00000153	Spring washer $\phi 6$	1	SUS304	
32	FF1-CN521W000000012	S.S washer (14*6*1.6)	1	SUS304	
31	FF1-CN521N000000144	Bolt M6X42	1	SUS304	
30	FF1-CN521G000000336	O ring 6*1	1	NBR	
29	FFZZ0021-00247A0PL	Signature diverter body	1	GkMs60Fk	
28	FF1-CN521N000000006	diverter lock nut	1	HPb59-1	
27	FF1-CN521N000000161	handle screw	1	SUS304	
26	FF1-CN521J0019899E	Adaptor (20spline-60spline)	1	HPb59-1	
25	FF1-CN521C0003199P	28mm 3way diverter	1	组件	
24	FF1-CN521G00005199P	Signature diverter washer	1	POM	
23	FF1-CN521J00196A0E	Signature diverter seat	1	HPb59-1	
22	FF1-CN521W0000999E	Spring Washer	2	Brass	
21	FF1-CN521J0010599P	Handle Bushing for Easy Dial	1	POM	
20A	FF1-CN521W0000999E	Spring Washer	2	Brass	
20	FF1-CN521J0019599P	Signature diverter adaptor	1	POM+GF26	
19	FF1-CN521J0019799P	Signature diverter handle cover	1	POM	
18	FF1-CN521F000091A0P	Diverter Handle Cover	1	ABS	

DESIGNED	利华波	20240618	TITLE	Signature Exposed Bath & Shower Mixer_A00
CHECKED	张	2024.06.18	REF	
APPROVED	李	2024.6.18.	经格挂墙式浴缸雨淋龙头(带雨淋组件)_星河灰	
SCALE	MATERIAL	WEIGHT	DWG NO.	American Standard
1:2	Assembly		FFAS1772-701A00BF0	

REV	DESCRIPTION	DATE	NAME