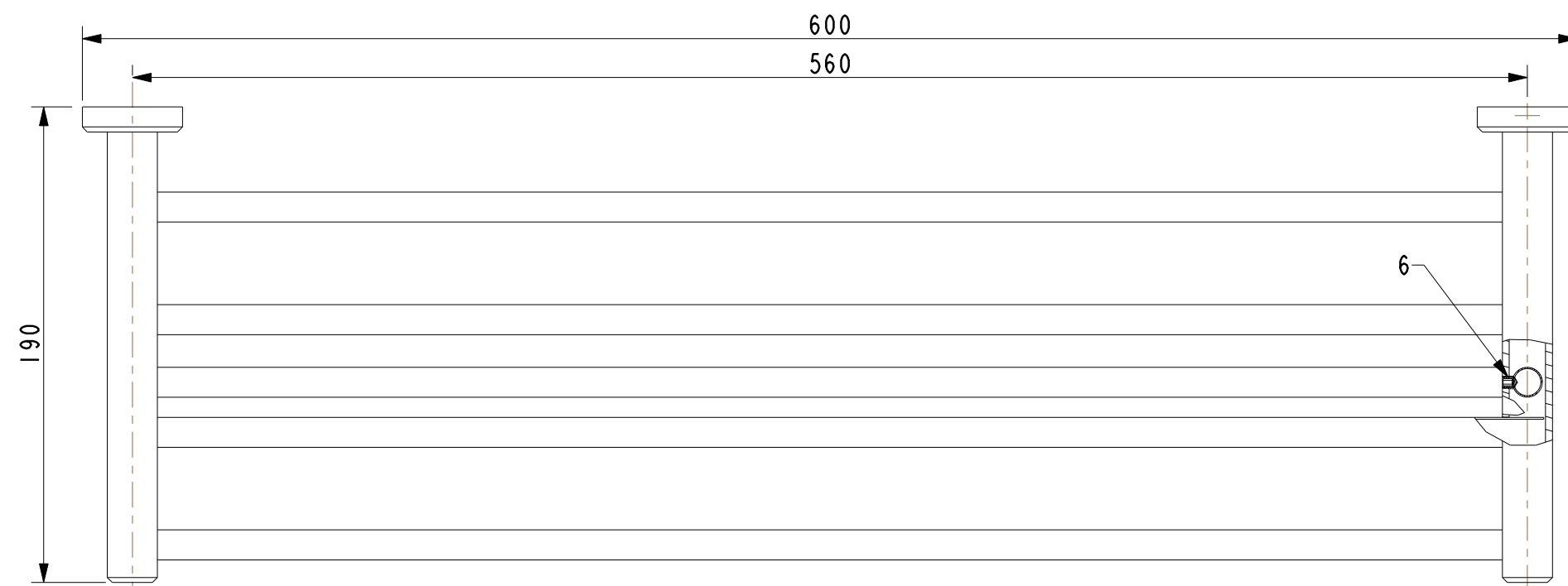
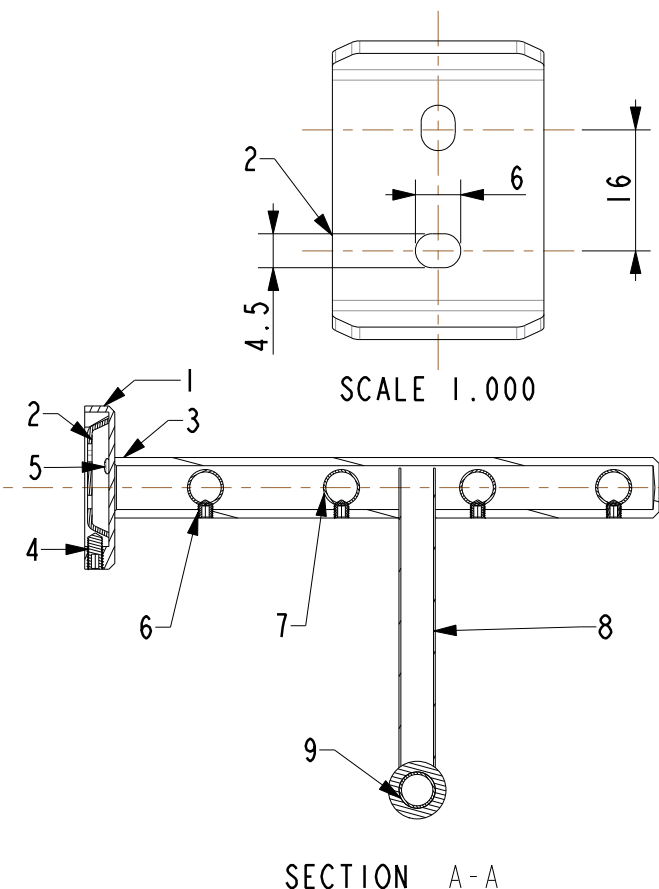
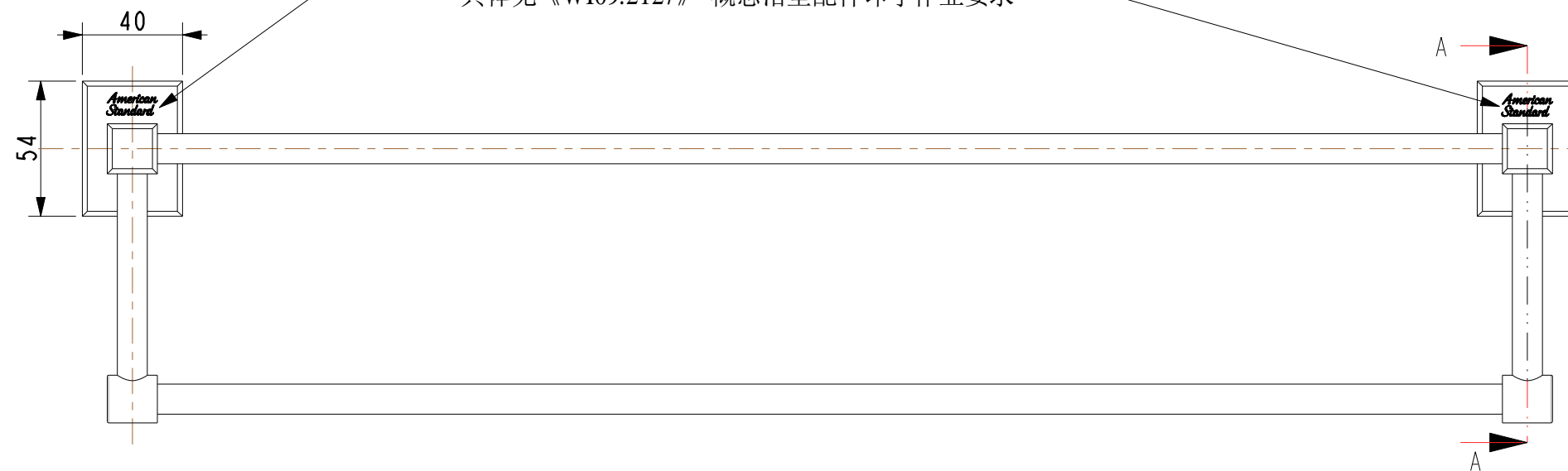


Tolerance, Unless Otherwise Stated, Is			
Above	0.5 to and including	6	±0.1
Excess	6 to and including	30	±0.2
Excess	30 to and including	120	±0.3
Excess	120 to and including	315	±0.5
Excess	315 to and including	1000	±0.8
Excess	1000 to and including	2000	±1.2

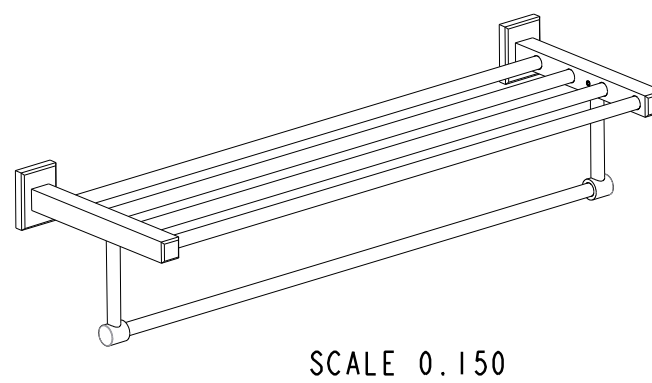
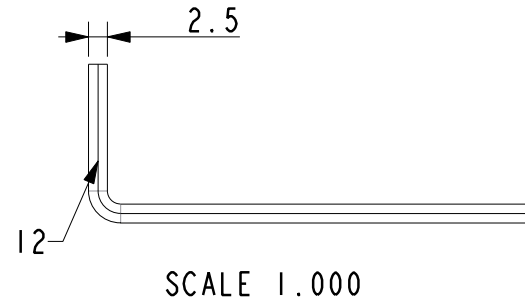
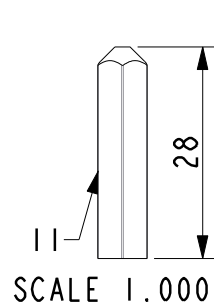
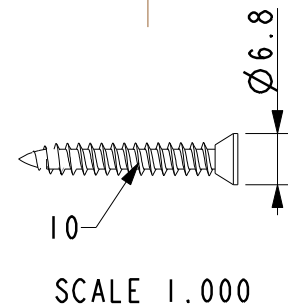
激光印 AS\_Logo,字宽 18,  
具体见《WI09.2127》-概念浴室配件印字作业要求



技术要求:

- 按《WI10.3204》浴室配件进货检验标准检验;
- 所有尺寸为一般尺寸。

12	159Z148108	内六角扳手2.5	Q235-A	1	
11	159Z148107	胀套	PA66	4	
10	159Z148106	自攻螺钉ST4*28	SUS201	4	
9	159Z049503	接头	Hpb59-1	2	抛光镀铬
8	159Z049502	竖杆	H62	2	抛光镀铬
7	159Z049303	横杆	H62	5	抛光镀铬
6	159Z049302	紧固螺钉M5*6	SUS201	10	
5	159Z048105	本体螺钉M3*7.5	SUS201	4	
4	159Z048104	支座螺钉M5*12	SUS201	2	
3	159Z049501	本体	Hpb59-1	2	抛光镀铬
2	159Z048102	概念方固定垫片	SUS201	2	
1	159Z048101	概念方支座	ZZnA14-1	2	抛光镀铬
序号	料号	名称与描述	材料	数量	备注



DESIGNED			TITLE	
CHECKED			REF	
APPROVED			概念方毛巾架	
SCALE	MATERIAL	WEIGHT	DWG NO.	<b>American Standard</b>
0.400	Assembly		FFAS0495-908500BC0	

REV	DESCRIPTION	DATE	NAME