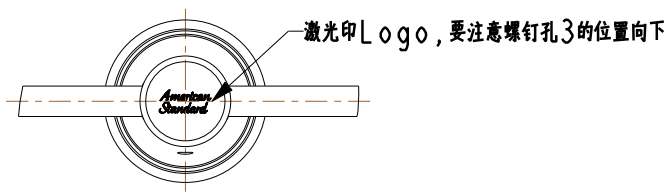
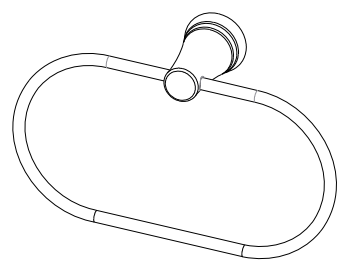


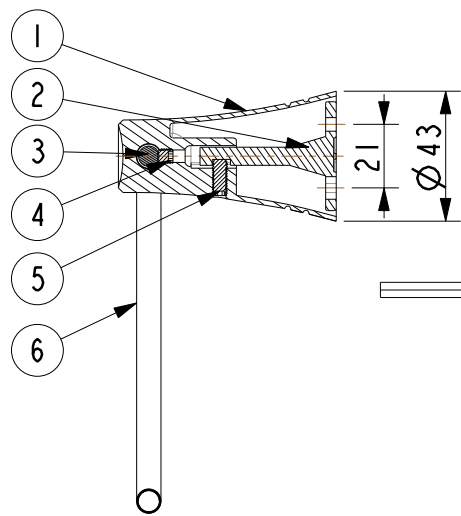
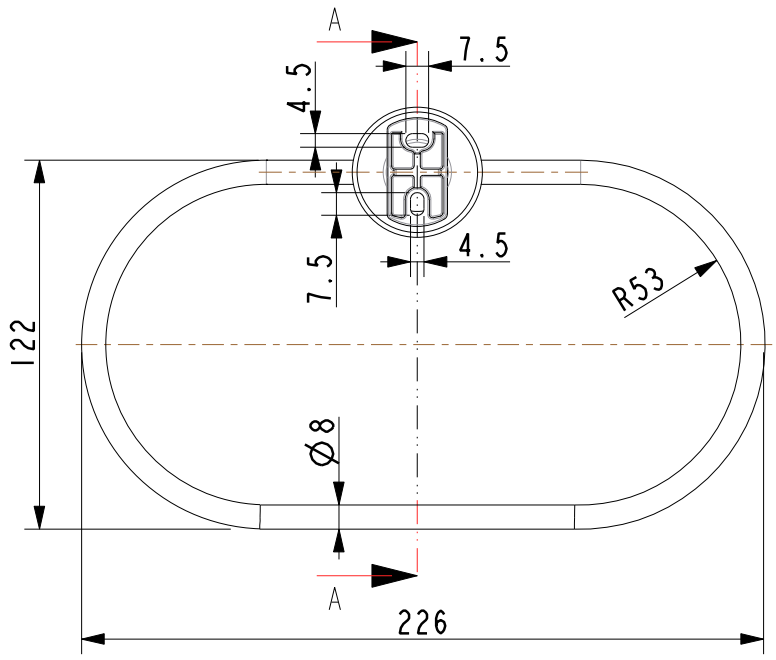
Tolerance, Unless Otherwise Stated. Is			
Above 0.5 to and including 6	±0.1	6	±0.1
Excess 6 to and including 30	±0.2	30	±0.2
Excess 30 to and including 120	±0.3	120	±0.3
Excess 120 to and including 315	±0.5	315	±0.5
Excess 315 to and including 1000	±0.8	1000	±0.8
Excess 1000 to and including 2000	±1.2	2000	±1.2



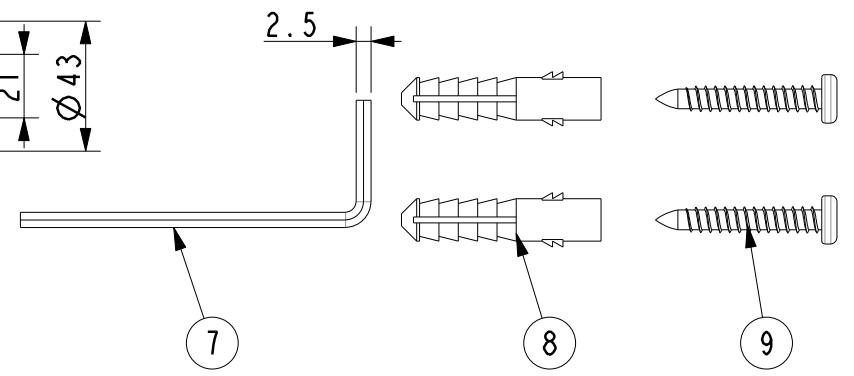
SCALE 0.500



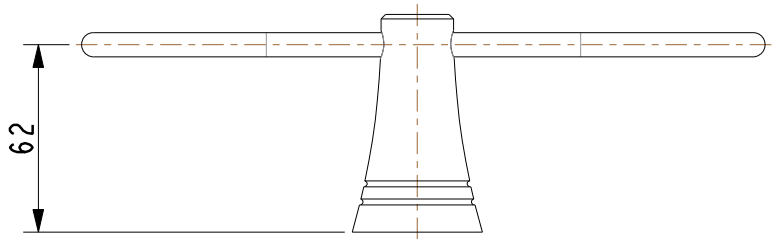
SCALE 0.200



SECTION A-A



SCALE 0.800



技术要求:
1. 按进料检验标准 WI10.3204 《浴室配件》进行检验。
2. 图示所有尺寸为成品尺寸, 要求是一般尺寸。

序号	品名	数量	材料	备注
9	十字盘头自攻螺钉	2	SUS304	ST4 *40
8	胀套	2	POM	Φ 7.5*37
7	六方扳手	1	SUS304	
6	挂环	1	SUS304	
5	固定螺钉 (长)	1	SUS304	
4	固定螺钉 (短)	1	SUS304	
3	轴套	1	PC	
2	支座	1	ZZnAl4-1	镀铬
1	本体	1	ZZnAl4-1	镀铬

DESIGNED	TITLE	
CHECKED	REF	
APPROVED	塞弗毛巾环	
SCALE	MATERIAL	WEIGHT
0.400	Assembly	
DWG NO.		American Standard
FFAS6590-908500BF0		

REV	DESCRIPTION	DATE	NAME