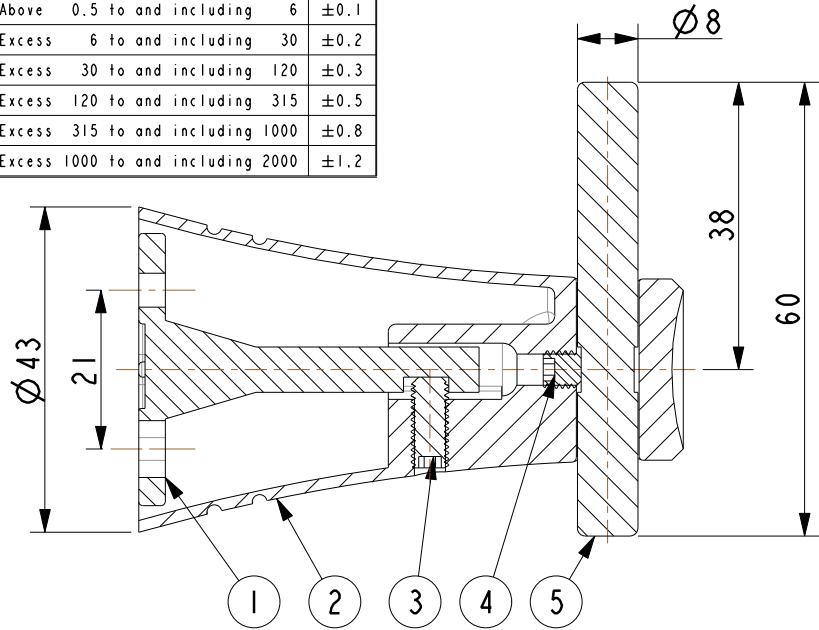
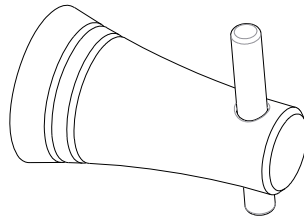
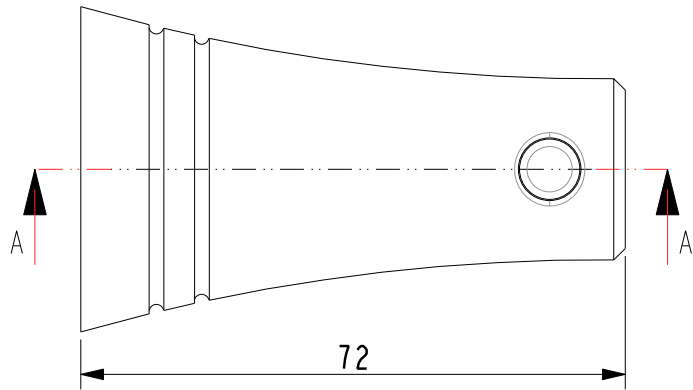


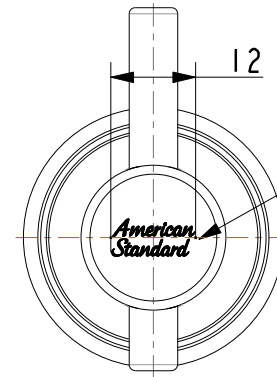
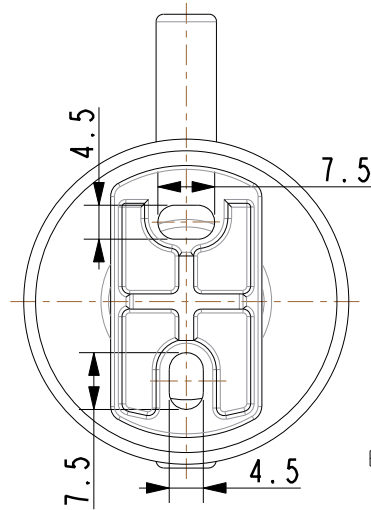
Tolerance, Unless Otherwise Stated. Is			
Above	0.5 to and including	6	±0.1
Excess	6 to and including	30	±0.2
Excess	30 to and including	120	±0.3
Excess	120 to and including	315	±0.5
Excess	315 to and including	1000	±0.8
Excess	1000 to and including	2000	±1.2



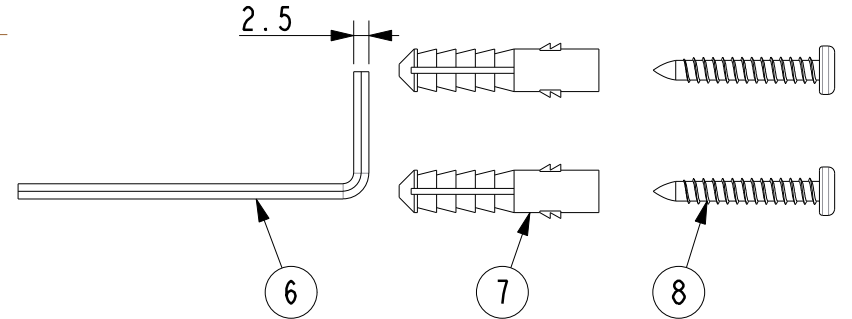
SECTION A-A



SCALE 0.500



激光印Logo 要注意螺钉孔3的位置向下



SCALE 0.800

序号	品名	数量	材料	备注
8	十字盘头自攻螺钉	2	SUS304	ST4*40
7	胀套	2	POM	φ 7.5*37
6	六方扳手	1	SUS304	
5	挂钩	1	SUS304	
4	固定螺钉(短)	1	SUS304	
3	固定螺钉(长)	1	SUS304	
2	支座	1	ZZnAl4-1	镀铬
1	本体	1	ZZnAl4-1	镀铬

技术要求:

1. 按进料检验标准 WI10.3204《浴室配件》进行检验。
2. 图示所有尺寸为成品尺寸, 要求是一般尺寸。

REV	DESCRIPTION	DATE	NAME

DESIGNED	TITLE	
CHECKED	REF	
APPROVED	塞弗衣挂钩	
SCALE	MATERIAL	WEIGHT
DWG NO.	American Standard	
1.000	Assembly	
FFAS6581-908500BF0		