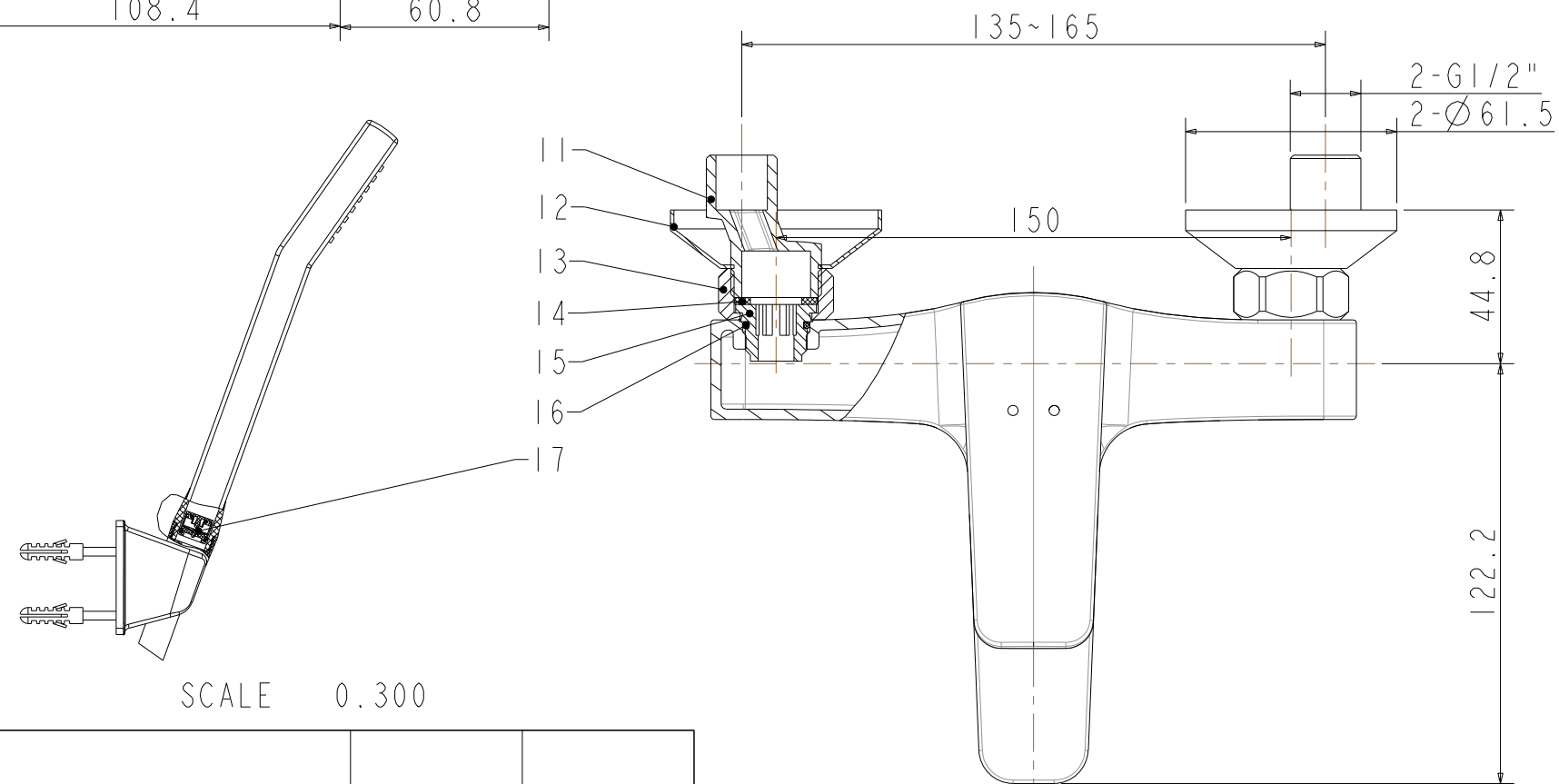
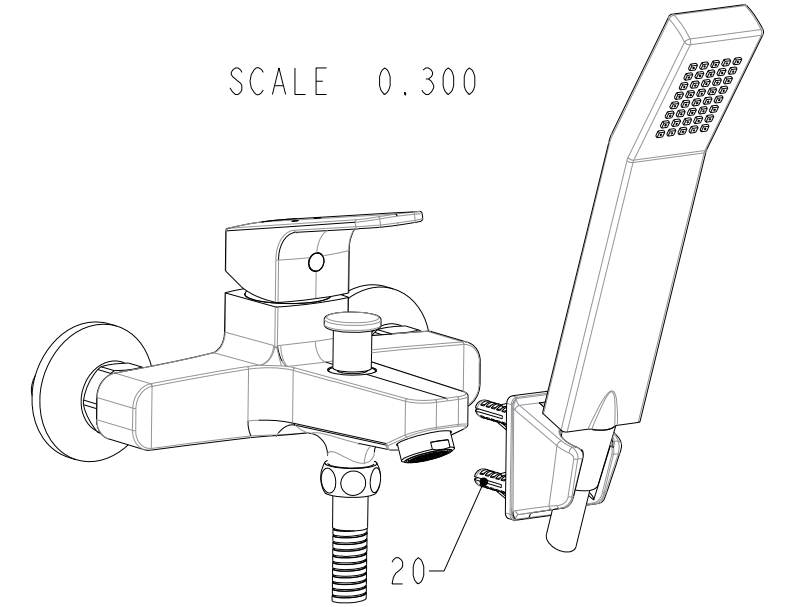
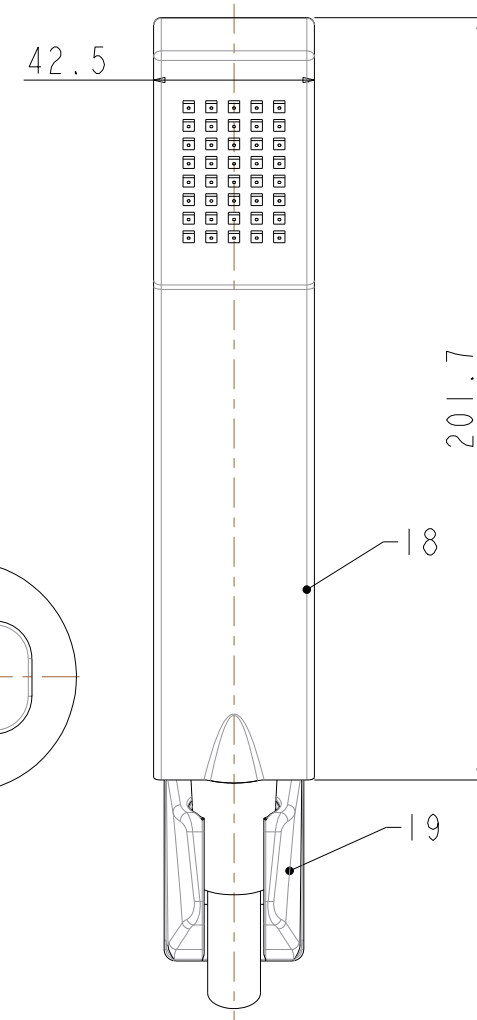
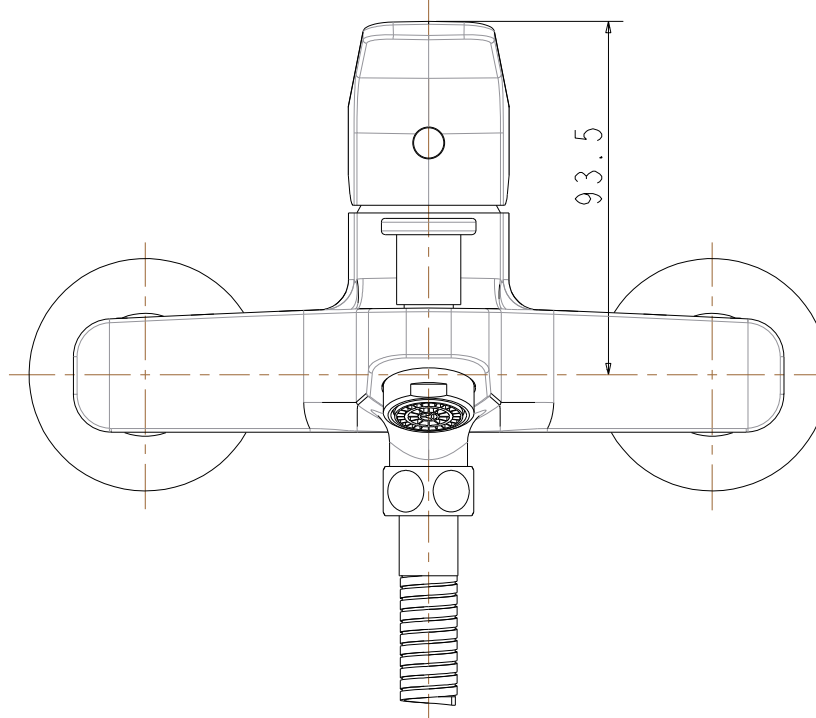
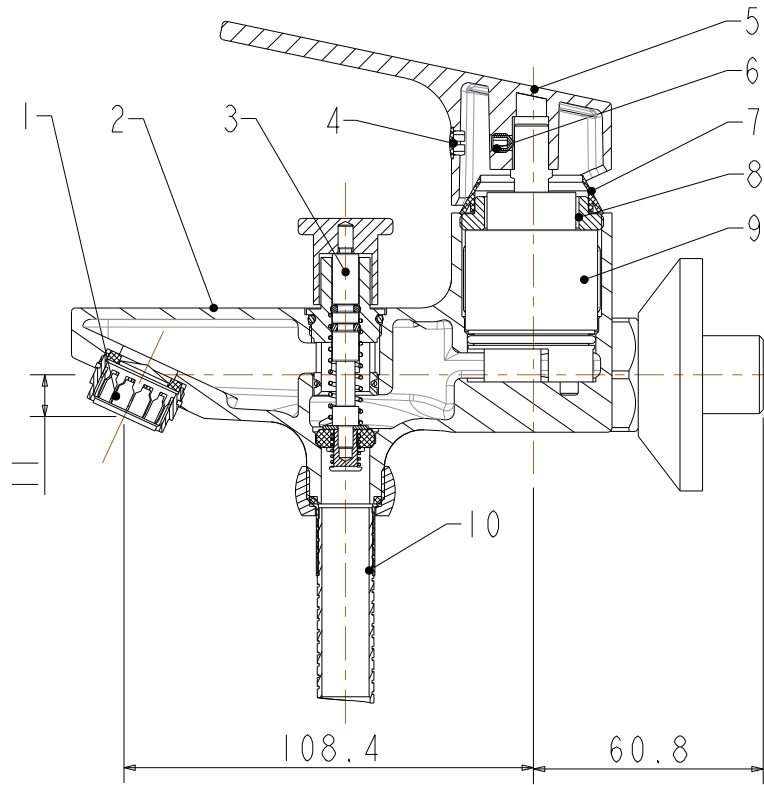


Tolerance, Unless Otherwise Stated, Is			
Above	0.5 to and including	6	±0.1
Excess	6 to and including	30	±0.2
Excess	30 to and including	120	±0.3
Excess	120 to and including	315	±0.5
Excess	315 to and including	1000	±0.8
Excess	1000 to and including	2000	±1.2



20	FFI-CN521X00000013	15818817X0\6 inch经济型不锈钢螺母组件	Assembly	1	
19	FFI-CN521H00000055	1582350350\RG 孔花洒支架2型	ABS	1	
18	FFI-CN521H00000013	1582300850\手握式单孔花洒(P51700)	Assembly	1	
17	FFI-CN521Z00001399	DJ1401S 节流单向阀 T10126	Assembly	1	
16	FFI-CN521G00000112	1581212699\O型圈 Φ15.6*1.78	NBR	2	
15	FFI-CN521W00000048	1590463399\密封胶, 完成品-除铅	Hpb59-1	2	
14	FFI-CN521G000000341	158A913204\平垫片Φ24*Φ15*2(A913204)	红铜纸	2	
13	FFI-CN521N00000291	1590488250\六角螺母-G3/4inch, 镀铬	Hpb59-1	2	
12	FFI-CN521F00000094	1580800550\2000孔罩 镀铬	H62	2	
11	FFI-CN521J00000242	1581927250\小S形接管 1/2*3/4 镀铬	GkMs60Fk	2	
10	FFI-CN521T00000025	1582006150\手提花洒用防缠绕软管-1.5M, 镀铬	Assembly	1	
9	FFI-CN521C00001399	C35G-1高脚网志	Assembly	1	
8	FFI-CN521N00000091	1580664199\迈阿密入墙式浴缸水龙头锁紧螺母(603275)	Hpb59-1	1	
7	FFI-CN521F00000241	158K607641\洁德单孔顶盖	ABS	1	
6	FFI-CN521N00000899	内六角凹面端紧定螺丝M5X6	SUS304	1	
5	FFI-CN521L00000116	1581673750\方形概念挂墙式龙头把手	ZnnAL4-1	1	
4	FFI-CN521Z00000072	1580960444\红蓝标点, 完成品	ABS	1	
3	FFI-CN521X00000119	1586014250\料面换向阀组件 镀铬	Assembly	1	
2	FFZZ0411-60150BDPL	1580044650\方形概念挂墙式浴缸龙头本体	GkMs60Fk	1	
1	FFI-CN521A00000050	1585002599\韩国专用起泡器(NPL_01.2413.0)	NBR	1	
序号	料号	名称及描述	材料	数量	备注

DESIGNED		TITLE	
CHECKED		REF	
APPROVED			方形概念挂墙式浴缸龙头
SCALE	MATERIAL	WEIGHT	DWG NO.
1:2	Assembly		FFAS0411-60150BF0



REV	DESCRIPTION	DATE	NAME