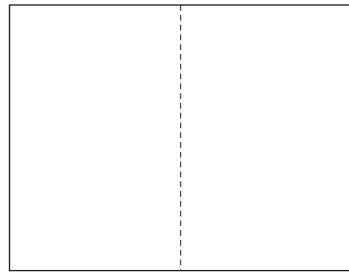
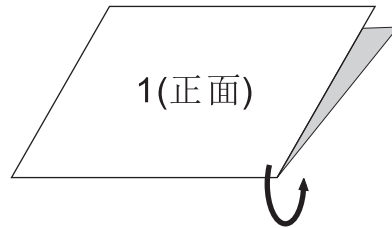


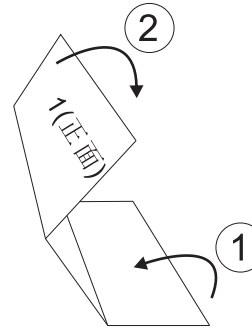
Tolerance, Unless Otherwise Stated, Is	
Above 0.5 to and including 6	±0.1
Excess 6 to and including 30	±0.2
Excess 30 to and including 120	±0.3
Excess 120 to and including 315	±0.5
Excess 315 to and including 1000	±0.8
Excess 1000 to and including 2000	±1.2



1. 说明书双面印刷完成
(420x297=A3) 共1页



2. 说明书折叠-1



3. 说明书折叠-2



4. 说明书折叠完成

制作说明:

1. 说明书完成的尺寸: 210*100
2. 材料: 80克的白色纸
3. 印刷说明: 说明书为420x297(A3) 双面印刷, 并折叠成210x100大小完成(详看图示)
4. 印刷颜色: 灰度
5. 印刷时, 内容准确, 清晰, 墨色均匀, 表面清洁。

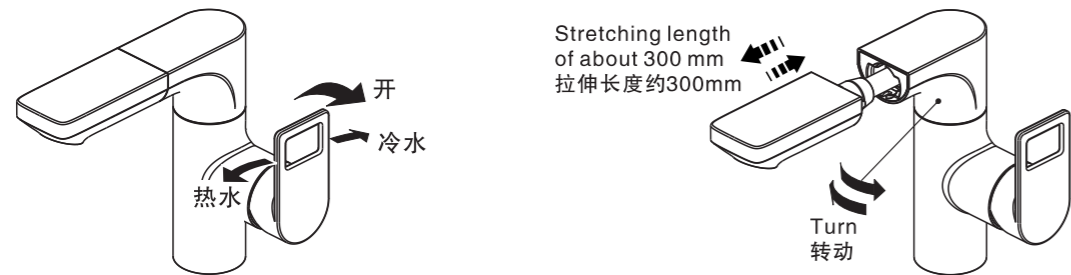
				DESIGN	黄卓桓	2018.05.25	TITLE	Instructions	
				CHECKED	利华斌	2018.05.25	REF	中英文说明书	
				APPROVED	郭军号	2018.5.25		FFAS4801-101500BC0 爱居城市单孔面盆龙头(带抽拉)	
				SCALE	MATERIAL	WEIGHT	DWG NO.	FF1-CN521K00309299	
REV	DESCRIPTION	DATE	NAME					American Standard	

Test / Usage 测试/使用

1 Test 测试

- * Turn handle to "OFF" position. Open water supply valve to check all connections for leakage;
- * Turn handle to "ON" position. Check the water flow.
- * 将把手处在关的位置，开启供水并检查各连接是否有渗漏；
- * 打开把手，检查出水是否正常。

2 Usage 使用



2018年5月25日

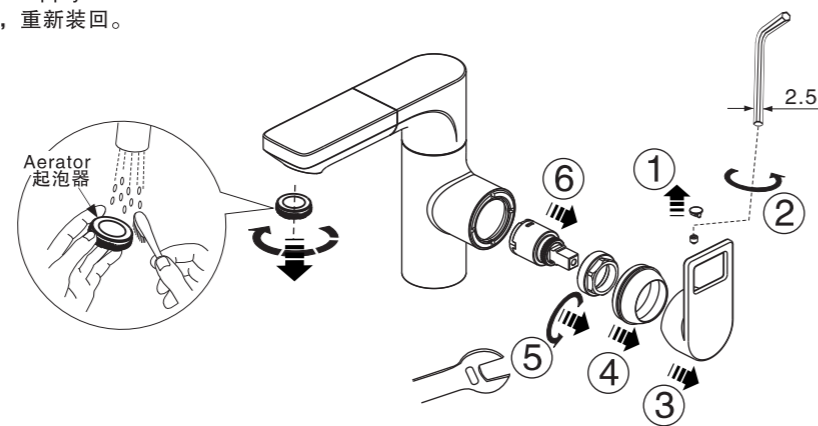
A/O

Trouble Shooting Guide 一般故障排除

Issue 故障	Component 检查点	Checkpoint 内容	Corrective Action 处理办法
Poor flow rate 流量小	Aerator 起泡器	Check any impurities 检查是否有杂质	Remove all impurities 清除杂质
	Water supply valve 供水阀	Check valve position 检查供水阀是否开得大小	Open it to full valve 开大供水阀
	Hose 软管	Check if hose is twisted 检查软管是否扭曲	Untwist the hose 展开软管
Leakage 漏水	Cartridge packing 阀芯	Check cartridge install 检查阀芯是否被松开	Fastening the cartridge; or replace the cartridge 紧固好阀芯
	Junction 各连接处	Check the connection 检查连接处是否未加垫片或垫片已损坏	Reinstall 重新安装
Deviant Temperature 不正常水温	Water supply valve 供水阀	Check if the water from supply valve is enough or not 检查供水阀是否开得大小	Open the water supply valve 开大供水阀
	Water supply system 供水管路	Check if the supply pipe connected correct or not 检查进水管是否连接正确	Connect the hot and cold water pipe correctly 正确连接冷热供水管

Care & Maintenance 维护与保养

- * if you need maintenance the parts, please refer to the picture below to take out parts, maintenance and put back in.
- * before the maintenance, please turn off the water supply.
- * 如需保养零件，请参考图示将零件取出，保养完毕，重新装回。
- * 保养前，请先将供水关闭。

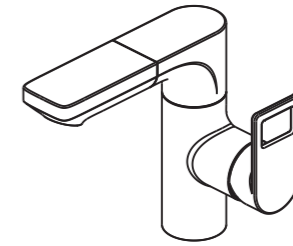


Attention:
Please leave manual with customer post installation.

安装者注意:
安装完成后，请将此说明书留给用户。

FFAS4801-101500BC0

CITY Deck Mounted Pull-Out Basin Mixer
爱居城市单孔面盆龙头（带抽拉）



American Standard

Installation & Operation Instructions
安装/使用说明书

Thank you for selecting American-Standard - the benchmark of fine quality for over 100 years. To ensure that your installation proceeds smoothly--please read these instructions carefully before you begin.

- * American Standard continually improves our product design and performance and reserves the right to modify the dimension and specification of our products accordingly without any prior notification.
- * This installation instruction sheet is for your reference only, the dimension and specification is subject to the actual products.

感谢您选购美标洁具—拥有百年优质水准的产品；为保证安装顺利，请在进行安装前细阅以下指南

- * 美标公司一贯奉行不断提高和改善其产品设计与性能的政策，并保留对其产品规格更改的权力，届时，恕不另行通知。
- * 本指南仅供安装和使用作参考，产品以实物为准。

Pre-Installation Checks 安装前注意事项

- * All instruction procedures must comply in strict accordance with applicable local plumbing and building codes
- * Remove all impurity in pipes before beginning to avoid clogging. Connect faucet pipes correctly. Make sure the cold water hose is connected to the right side and the hot water hose to the left.
- * Check installation distances in the Dimension diagram to ensure correct installation.

Conditions for use

- * Water pressure condition: 0.05-0.75MPa (Recommended water pressure condition: 0.1-0.5Mpa)
- * Environment Temperature: 1-55°C
- * Steam is not allowed to use.
- * The cold and hot water pipes must not be reserved.

When in the process of installation, grab the whole body. Do not grab handle only.

- * 安装水嘴之前，请务必清理管中杂物，以免造成堵塞；水嘴与冷、热供水管必须连接正确，即蓝色标记的软管接冷水，红色标记的软管接热水。
- * 参考尺寸图，检查安装尺寸，确保安装正确。

使用条件

- ~ 使用水压（包括冷水与热水压力）：0.05-0.75兆帕(Mpa)，推荐使用水压：0.1-0.5兆帕(Mpa)
- ~ 使用环境温度：1°C - 55°C
- ~ 冷热水管不可调换，不可使用蒸汽。

注：安装时，请握住水嘴主体进行操作，不要仅握住把手进行操作，以免损伤水嘴。

Recommended Tools and Materials 推荐的工具和材料



Adjustable Wrench
活动扳手



Screwdriver
螺丝刀



Tape Measure
卷尺



Teflon Tape
生料带



Pencil
铅笔



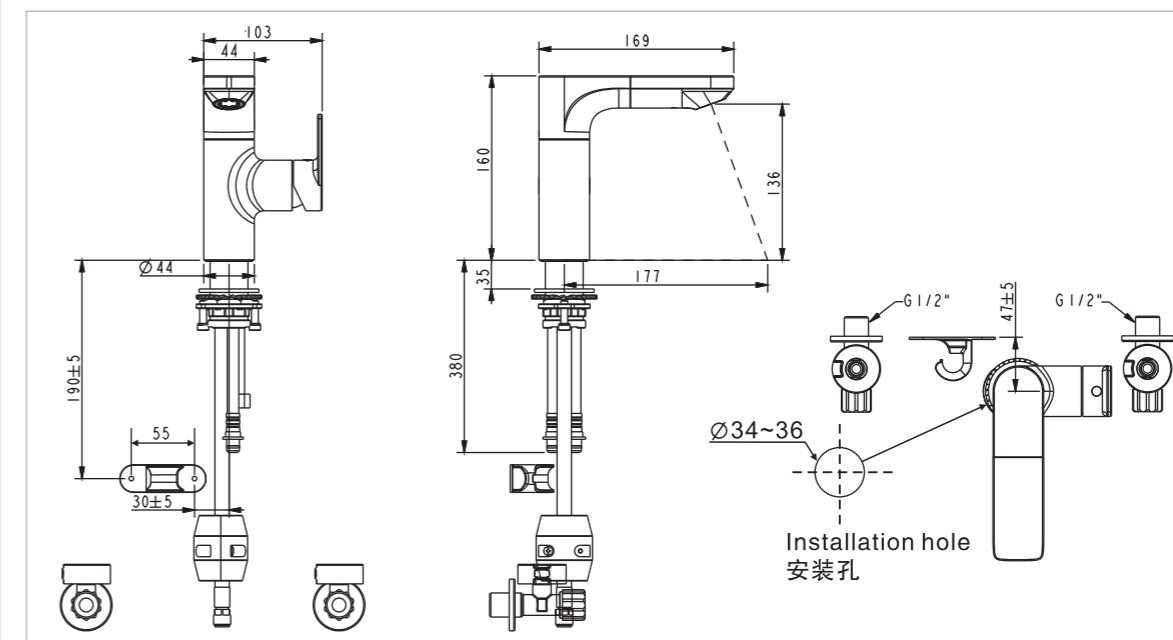
Electric drill
电钻



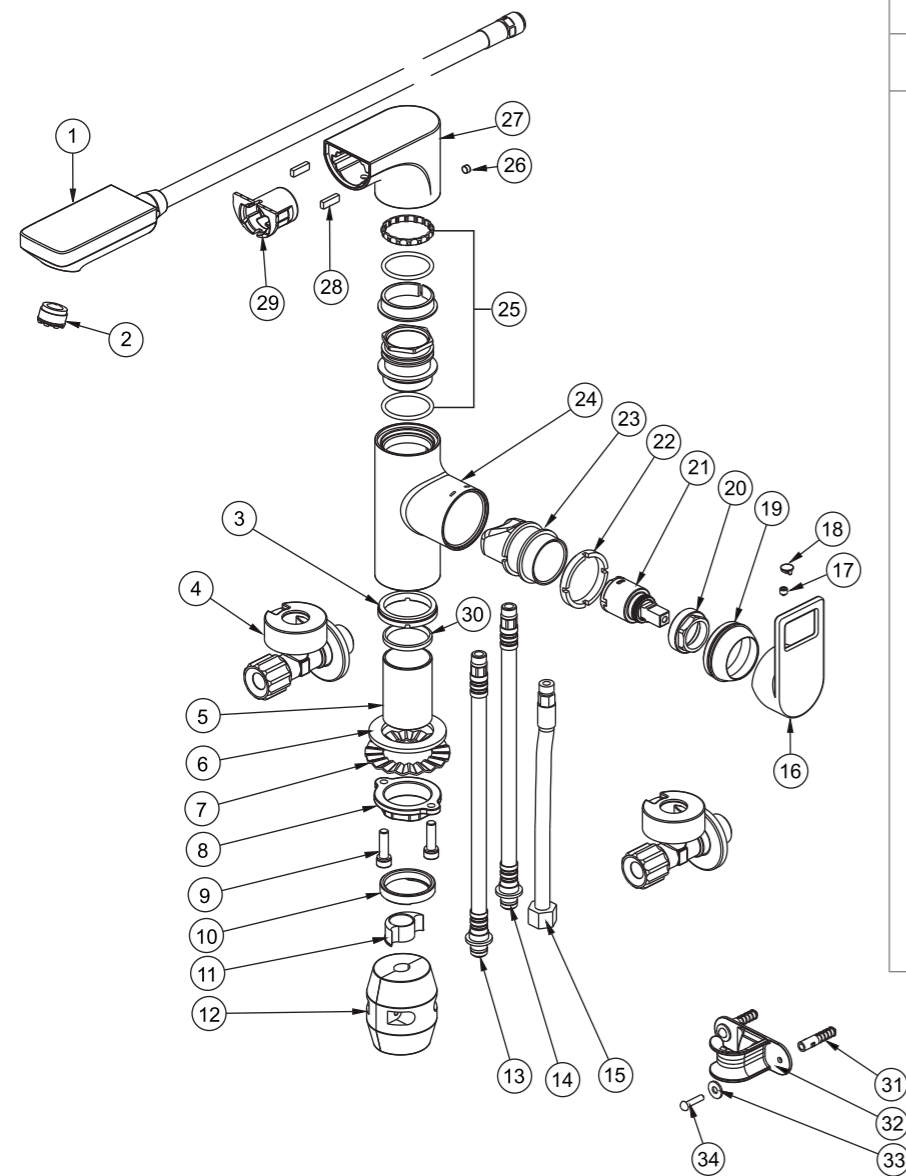
Sinker
锤子

Dimension 基本尺寸

Unit: mm
单位：毫米



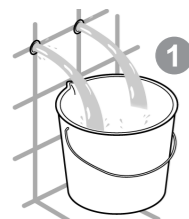
Parts List 零件明细



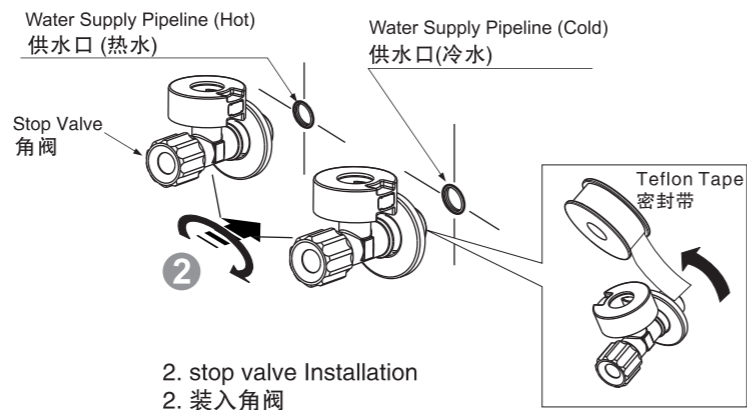
No. 序号	Part Name 零件名称	Q'ty 数量
1	Spout 出水口	1
2	Aerator 起泡器	1
3	Nut 螺母	1
4	Stop valve 快速安装角阀	2
5	Shank 杆	1
6	Washer 垫片	1
7	Washer 垫片	1
8	紧固板	1
9	Screw 螺丝	2
10	Nut 螺母	1
11	管卡	1
12	Weight 重锤	1
13	Hose (Red) 软管 (红色标记)	1
14	Hose (Blue) 软管 (蓝色标记)	1
15	Hose 出水软管	1
16	Handle 把手	1
17	Screw 螺丝	1
18	标志扣	1
19	Cap 顶盖	1
20	Nut 紧固螺母	1
21	Cartridge 阀芯	1
22	Nut 螺母	1
23	Cartridge seat 阀座	1
24	Body 本体	1
25	Connector 接头	1
26	Screw 螺丝	1
27	Elbow pipe 弯管	1
28	Magnet 磁铁	1
29	Bush 衬套	1
30	Washer 垫片	1
31	Expand Bushing 膨胀管	2
32	Pothook 挂钩	1
33	Washer 垫片	2
34	Screw 螺丝	2

Installation 安装部分

1 Stop Valve Installation 安装截止阀



- 1a. Consult the dimension drawing and lay the pipes.
- 2b. Wash and clean the water supply pipeline.
- 1a. 参考尺寸图，铺设供水管路；
- 2b. 安装前将铺设好的管路冲洗干净。



2. stop valve Installation
2. 装入角阀

2 Faucet Installation 安装水嘴

2018年5月25日

A/O

