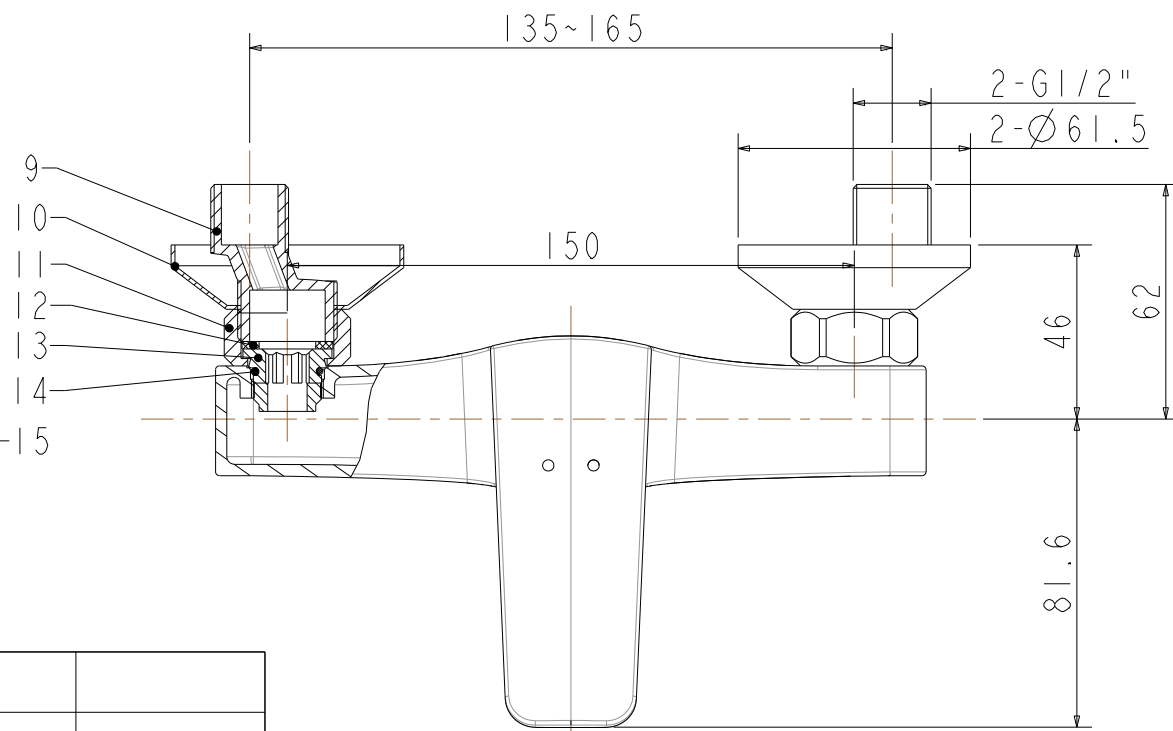
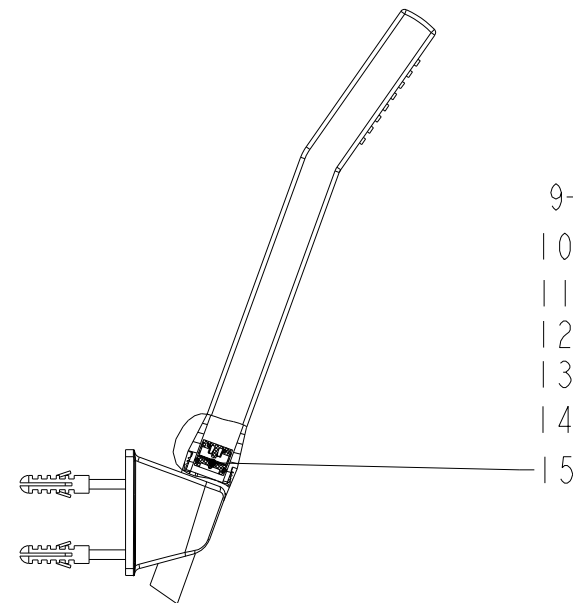
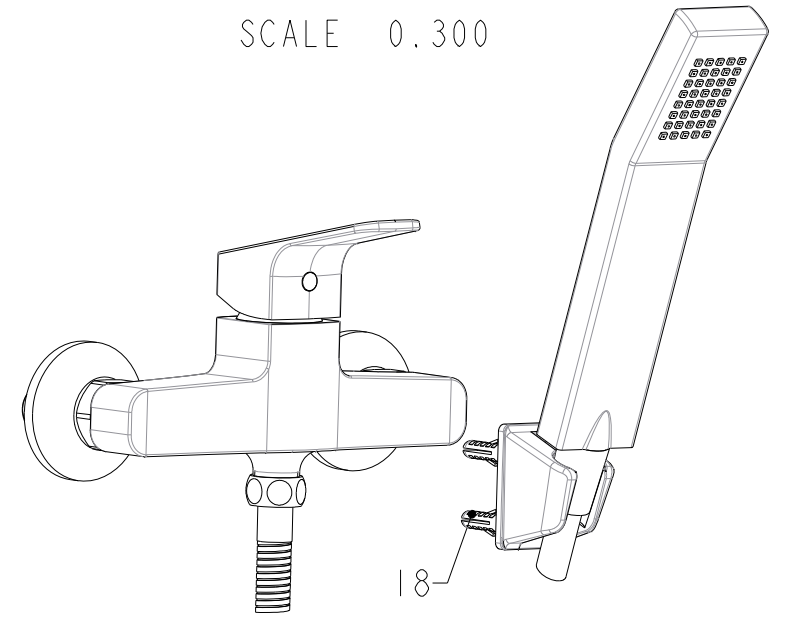
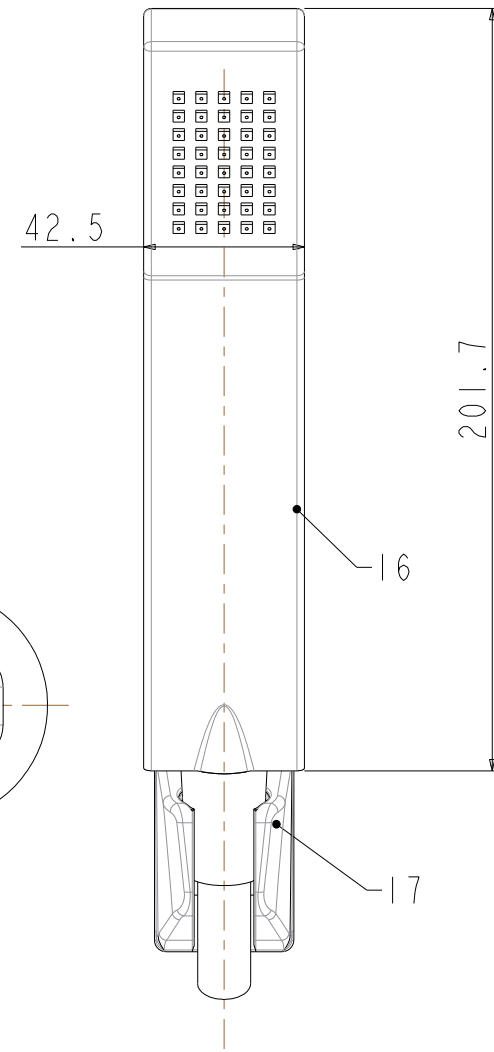
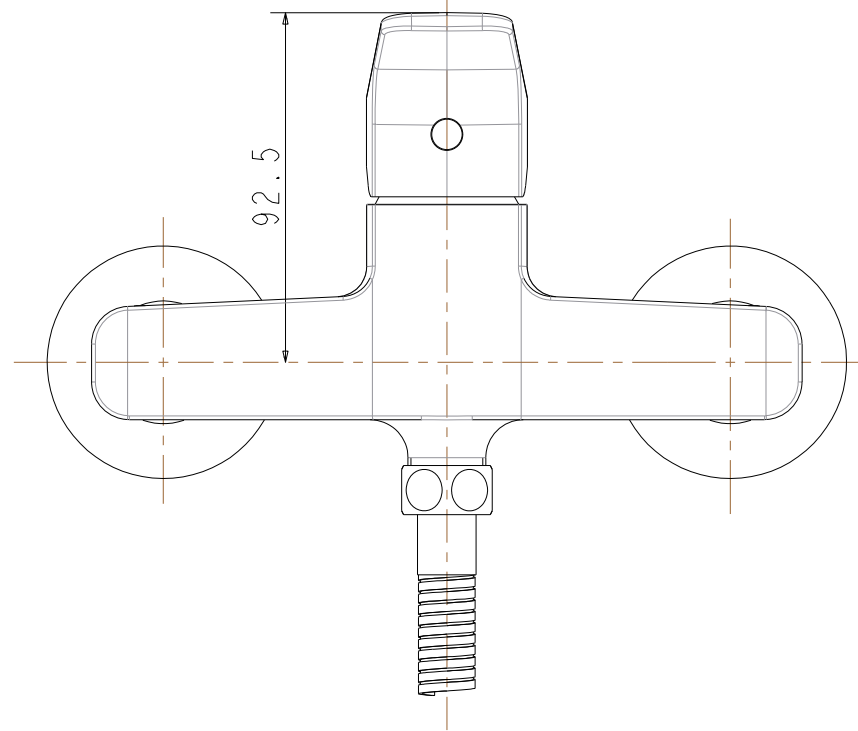
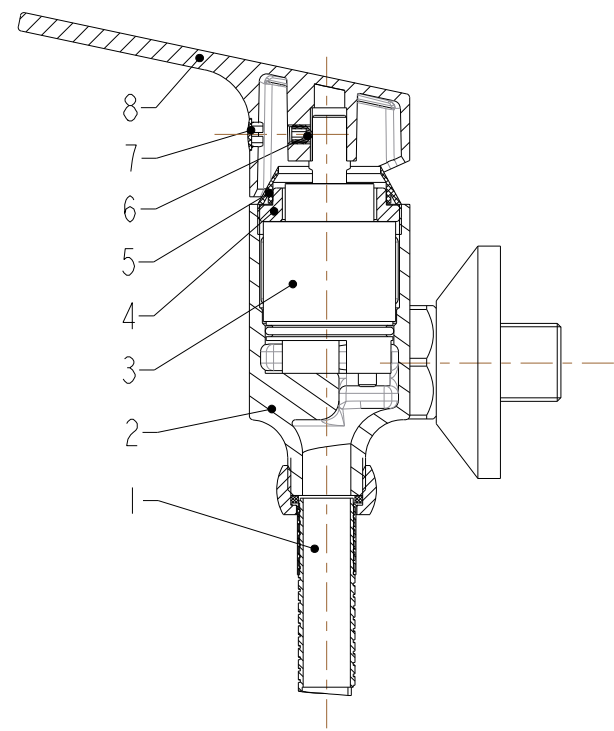


Tolerance, Unless Otherwise Stated, Is			
Above	0.5 to and including	6	±0.1
Excess	6 to and including	30	±0.2
Excess	30 to and including	120	±0.3
Excess	120 to and including	315	±0.5
Excess	315 to and including	1000	±0.8
Excess	1000 to and including	2000	±1.2



18	FFI-CN521X00000013	15818817X0\6 inch经济型不锈钢螺钉组件	Assembly	1	
17	FFI-CN521H00000055	1582350350\RG 孔花洒支架2型	ABS	1	
16	FFI-CN521H00000013	1582300850\手握式单孔能花洒(P51700)	Assembly	1	
15	FFI-CN521Z00001399	DJI40IS 节流单向阀 T10126	Assembly	1	
14	FFI-CN521G00000112	1581212699\O型圈 Ø15.6*1.78	NBR	2	
13	FFI-CN521W00000048	1590463399\密封胶, 完成品-除铅	Hpb59-1	2	
12	FFI-CN521G00000341	158A913204\平垫片Ø24*Ø15*2(A913204)	红铜纸	2	
11	FFI-CN521N00000291	1590488250\六角螺母-G3/4inch, 镀铬	Hpb59-1	2	
10	FFI-CN521F00000094	1580800550\2000孔罩 镀铬	H62	2	
9	FFI-CN521J00000242	1581927250\小S形接管 1/2*3/4 镀铬	GkMs60Fk	2	
8	FFI-CN521L00000116	1581673750\方形概念挂墙式龙头把手	ZnnAL4-1	1	
7	FFI-CN521Z00000072	1580960444\红蓝标点, 完成品	ABS	1	
6	FFI-CN521N00000899	内六角凹面端紧定螺丝M5X6	SUS304	1	
5	FFI-CN521F00000241	158K607641\洁德单孔顶盖	ABS	1	
4	FFI-CN521N00000091	1580664199\返阿密入墙式浴缸水嘴锁紧螺母(603275)	Hpb59-1	1	
3	FFI-CN521C00001399	C35G-1高脚网壳	Assembly	1	
2	FFZZ0412-70150BDPL	1580044750\方形概念挂墙式淋浴龙头本体	GkMs60Fk	1	
1	FFI-CN521T00000025	1582006150\手提花洒用防缠绕软管-1.5M, 镀铬	Assembly	1	

序号	料号	TIT名称及描述	材料	数量	备注
DESIGNED					
CHECKED			REF		
APPROVED					方形概念挂墙式淋浴龙头
SCALE	MATERIAL	WEIGHT	DWG NO.		
1:2	Assembly		FFAS0412-701500BF0		

REV	DESCRIPTION	DATE	NAME

**American
Standard**