

Test / Usage

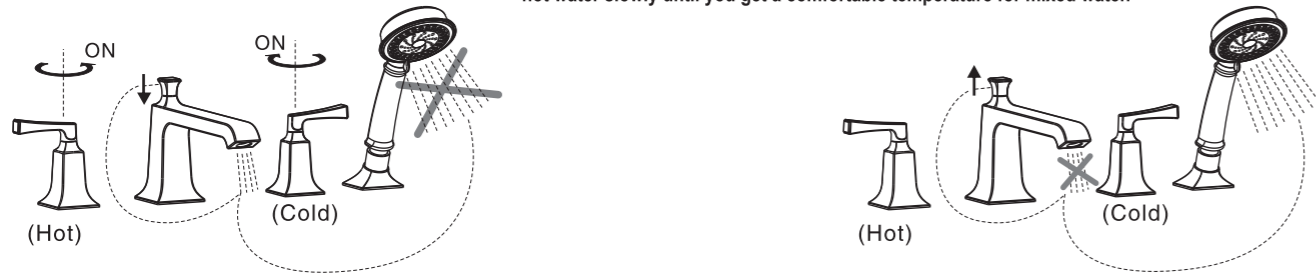
1 Test

1. Move handle to "OFF" position. Turn on water at mains to check for any leakages.
2. Move handle in all directions to ensure that handle is moving smoothly.
3. Adjust handle to "ON" position to check water flow.

2 Usage

Warning:

When you use the faucet, please open the cold water first, then open the hot water slowly until you get a comfortable temperature for mixed water.

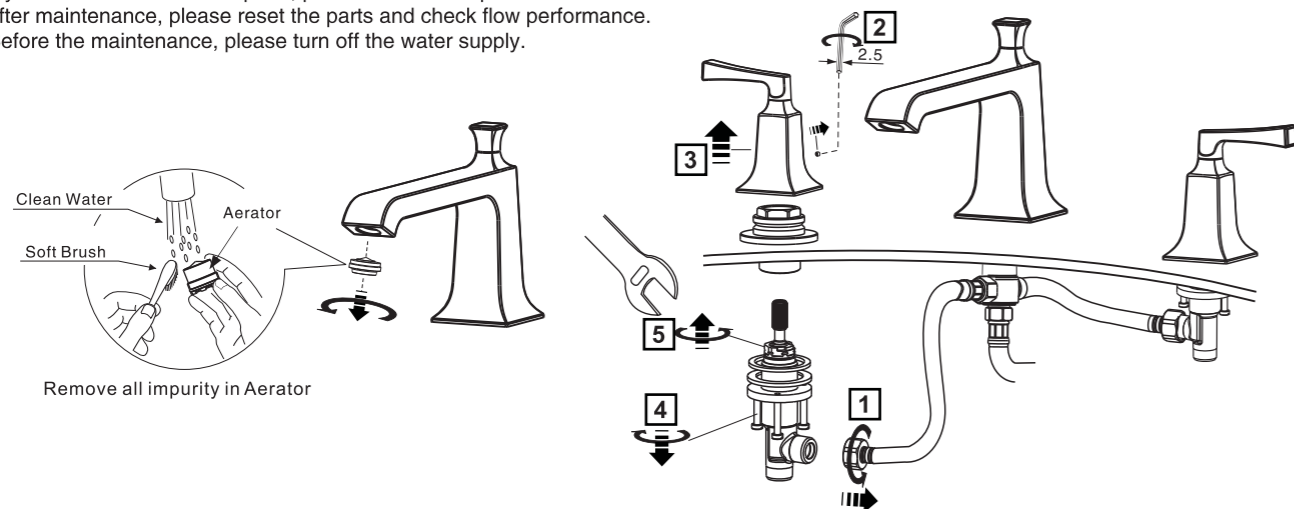


Trouble Shooting Guide

Issue	Component	Checkpoint	Corrective Action
Poor flow rate	Aerator	Check any impurities	Remove all impurities
	Water supply valve	Check valve position	Open it to full valve
	Hose	Check if hose is twisted	Untwist the hose
Leakage	Cartridge packing	Check cartridge install	Fastening the cartridge; or replace the cartridge
	Junction	Check the connection	Reinstall
Deviant Temperature	Water supply valve	Check if the water from supply valve is enough or not	Open the water supply valve
	Water supply system	Check if the supply pipe connected correct or not	Connect the hot and cold water pipe correctly

Care & Maintenance

- * If you need to maintain the parts, please refer to the picture below to take them out. After maintenance, please reset the parts and check flow performance.
- * Before the maintenance, please turn off the water supply.



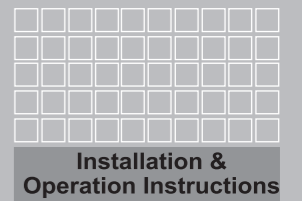
Attention:
Please leave manual with customer post installation.

Kastello

FFAS1600-601500BT0
Kastello Deck Mounted Bath Filler
W/ Handspray



American Standard



Thank you for selecting American-Standard - the benchmark of fine quality for over 100 years.

To ensure that your installation proceeds smoothly--please read these instructions carefully before you begin.

* American Standard continually improves our product design and performance and reserves the right to modify the dimension and specification of our products accordingly without any prior notification.

* This installation instruction sheet is for your reference only, the dimension and specification is subject to the actual products.

Pre-Installation Checks

* All instruction procedures must comply in strict accordance with applicable local plumbing and building codes.

* Remove all impurity in pipes before beginning to avoid clogging. Connect faucet pipes correctly.

* Check installation distances in the Dimension diagram to ensure correct installation.

Conditions for use

* Water pressure condition: 0.05~0.75MPa (Recommended water pressure condition: 0.1~0.5MPa)

* Environment Temperature: 1~55°C

* Water Temperature: 4°C ~ 90°C, Recommended the highest hot water temperature 60°C.

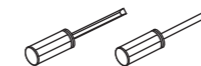
* Steam is not allowed to use. The cold and hot water pipes must not be reserved.

When in the process of installation, grab the whole body. Do not grab handle only.

Recommended Tools and Materials



Adjustable Wrench



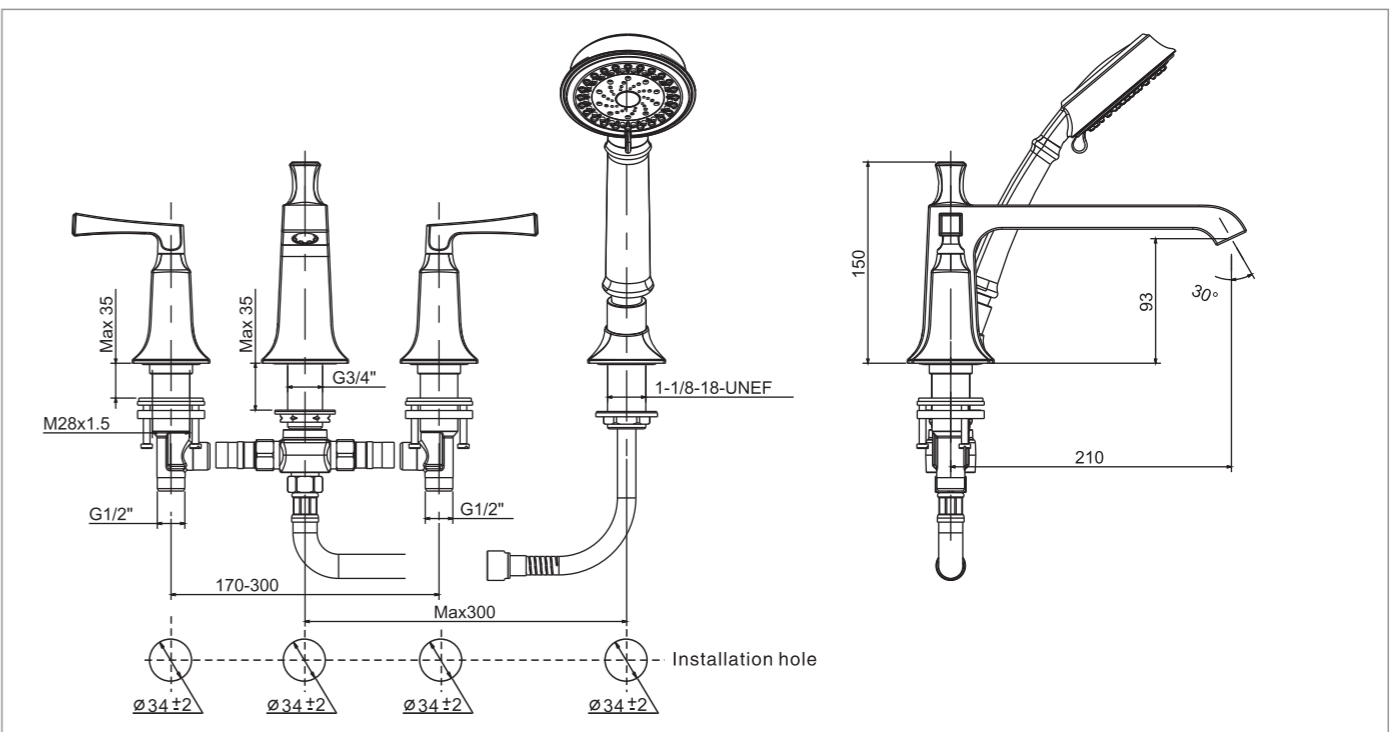
Screwdriver



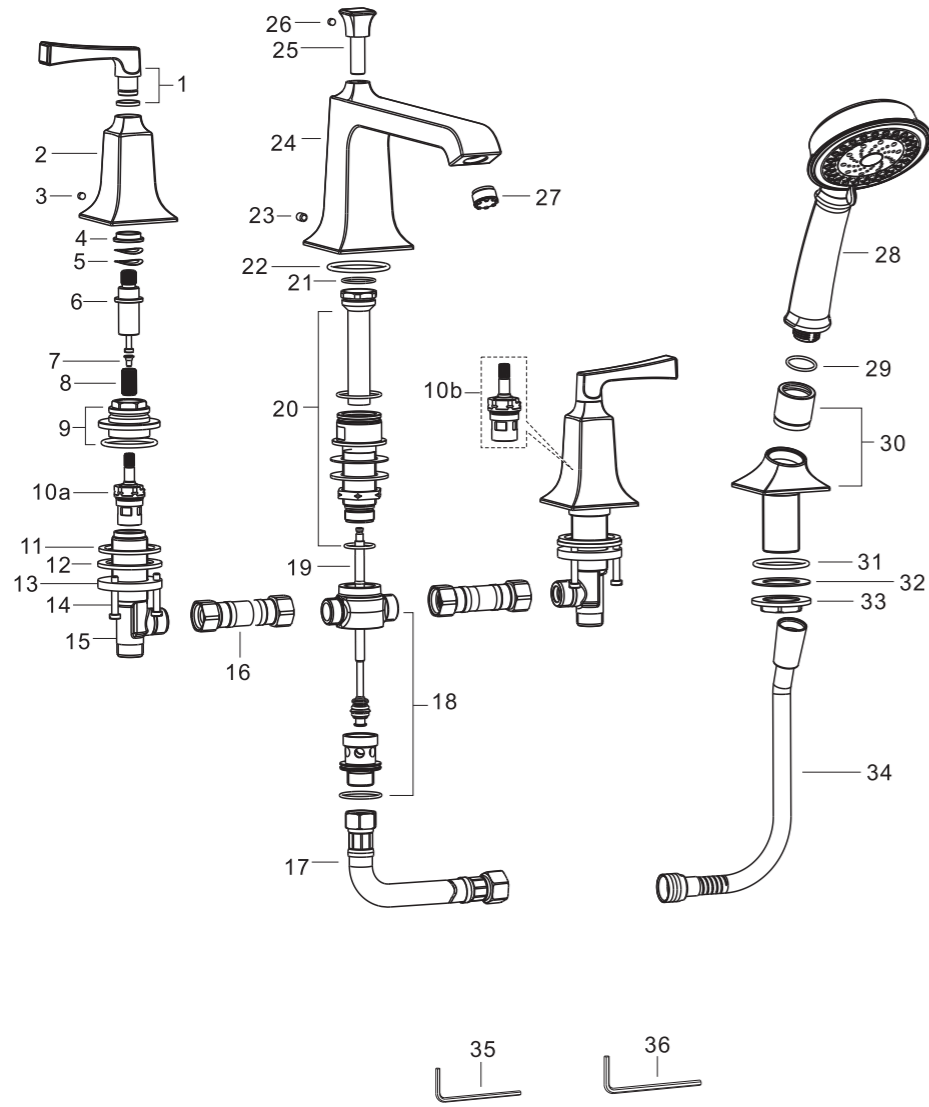
Tape Measure

Dimension

Unit: mm



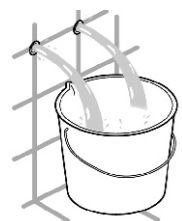
Parts List



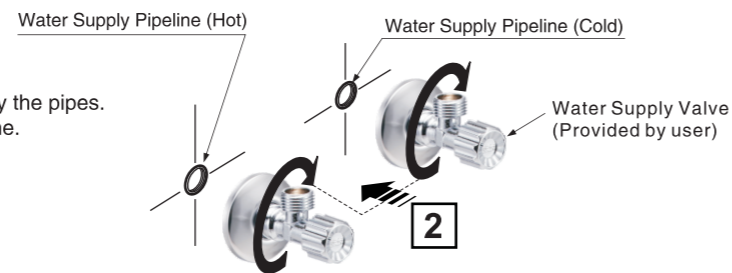
Parts List		
No.	Part Name	Q'ty
1	Handle lever	2
2	Handle body	2
3	Screw	2
4	Bushing	2
5	Washer	4
6	Valve rod	2
7	Screw	2
8	Bushing	2
9	Nut	2
10a	Cartridge (left)	1
10b	Cartridge (right)	1
11	Washer	2
12	Washer	2
13	Nut	2
14	Screw	6
15	Valve seat	2
16	Hose	2
17	Shower hose	1
18	Connector	1
19	Lever	1
20	Shank	1
21	O-ring	1
22	Washer	1
23	Screw	1
24	Spout	1
25	Knob	1
26	Screw	1
27	Aerator	1
28	Hand shower	1
29	O-ring	1
30	Shower holder	1
31	Washer	1
32	Washer	1
33	Nut	1
34	Shower hose	1
35	In-hex wrench (2.5mm)	1
36	In-hex wrench (3.0mm)	1

Installation

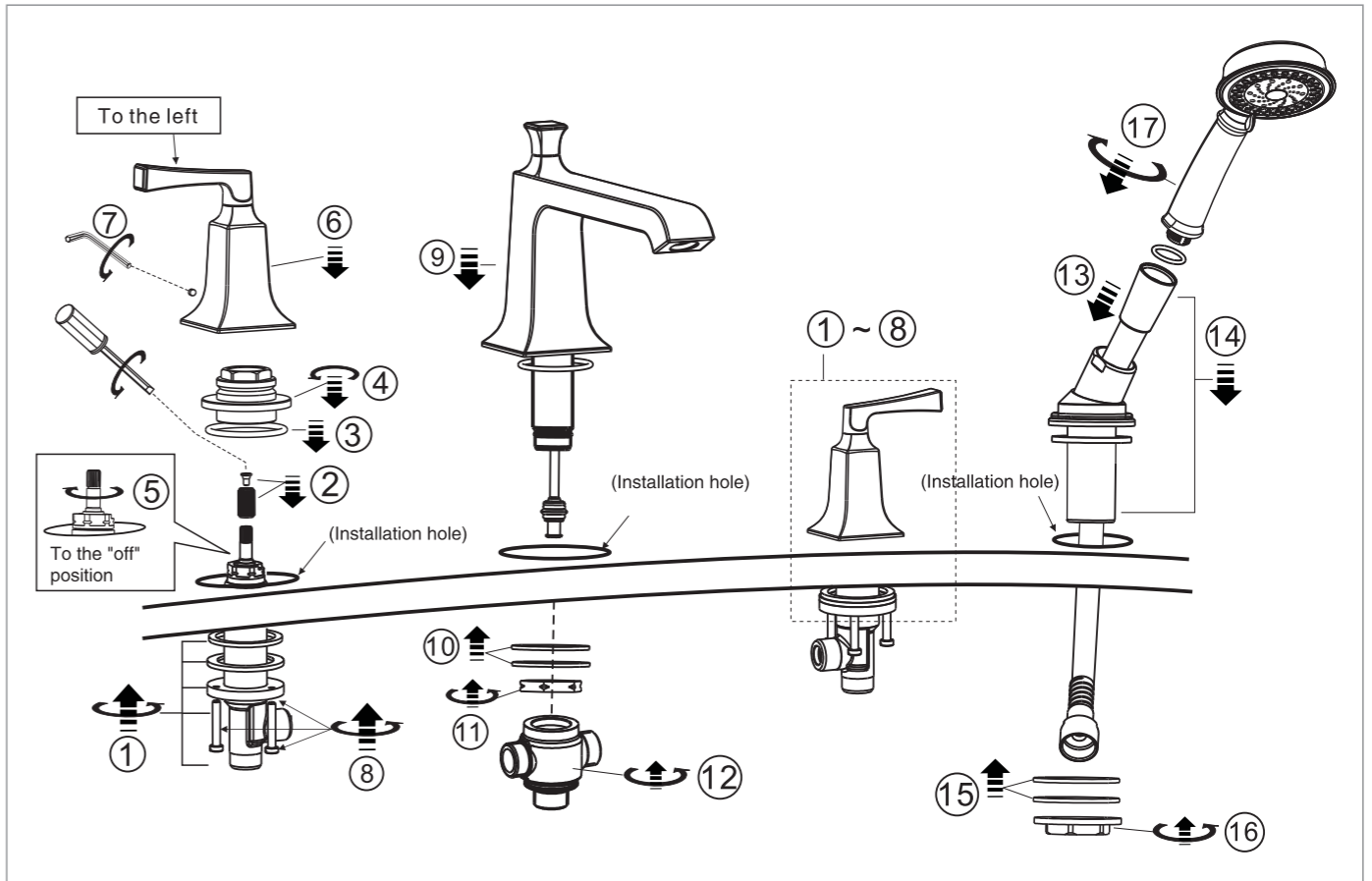
1 Preparation



- 1a. Refer to the dimensional drawing and lay the pipes.
1b. Wash and clean the water supply pipeline.



2 Handle & Spout & Shower Seat & Hand Shower Installation



3 Pipeline Connection

