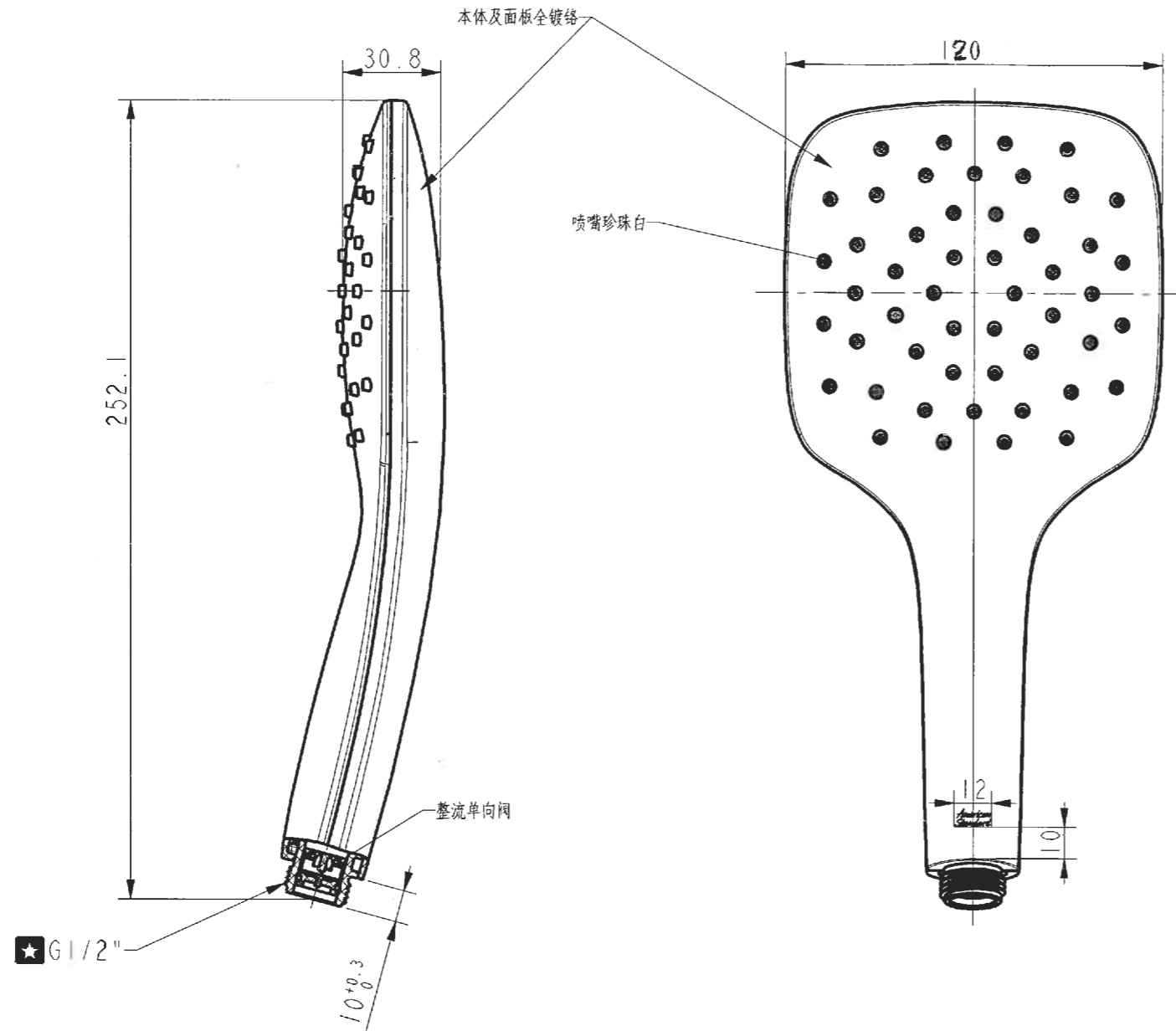


Tolerance, Unless Otherwise Stated, Is			
Above	0.5 to and including	6	±0.1
Excess	6 to and including	30	±0.2
Excess	30 to and including	120	±0.3
Excess	120 to and including	315	±0.5
Excess	315 to and including	1000	±0.8
Excess	1000 to and including	2000	±1.2



SECTION A-A
SCALE 0.500

技术要求

1. 花洒为空气注入式单功能花洒;
2. 花洒前后面盖材质为ABS, 表面镀铬处理;
3. 花洒在如图所示位置激光打印美标商标图案;
4. 花洒的相关性能符合《W110.0406内控标准--花洒》相关要求;
5. 花洒进水孔配一体式整流单向阀;
6. 带"★"为重要尺寸; 螺纹要求通规通, 止规止。

DESIGNED	3月20日	2016.7.20	TITLE	
CHECKED	2月20日	2016.7.20	REF	
APPROVED	2月20日	2016.7.20		120mm圆方形单功能手持花洒
SCALE	MATERIAL	WEIGHT	DWG NO.	
1:2	Assembly		FFAS9H13-000500BC0	American Standard

REV	DESCRIPTION	DATE	NAME