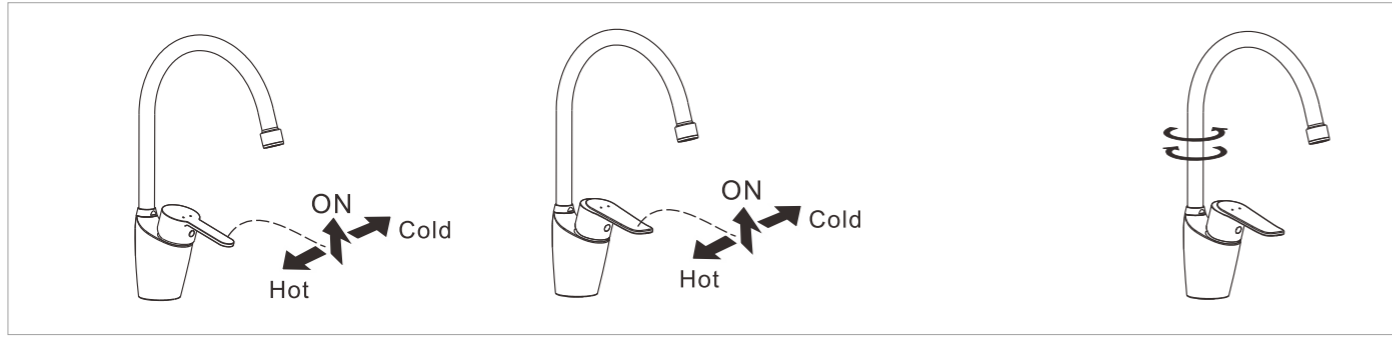


Test / Usage

1 Test

- * Turn handle to "OFF" position. Open Water supply valve to check all connections for leakage;
- * Turn handle to "ON" position. Check the water flow .

2 Usage

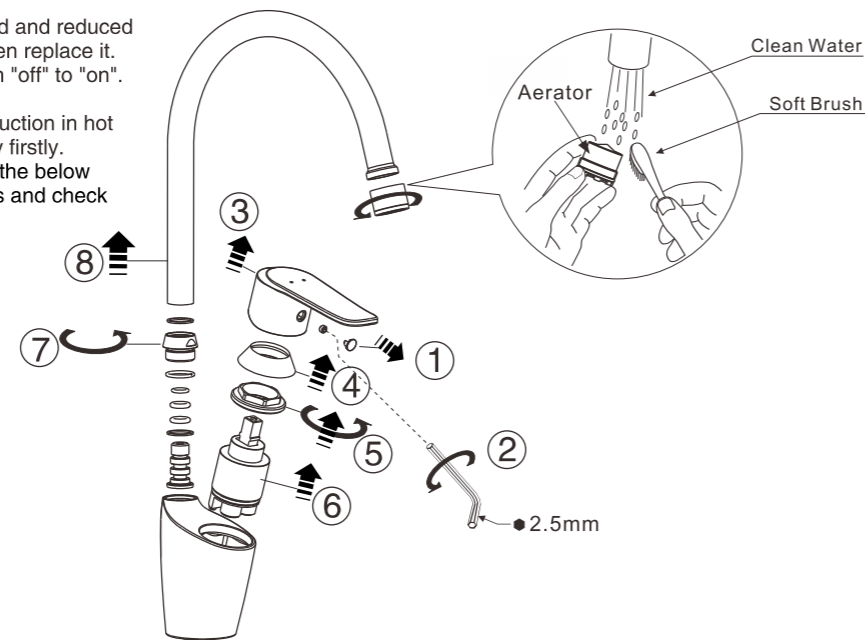


Trouble Shooting Guide

Trouble	Checkpoint	Contents	Action
Poor flow rate	Aerator	Check any impurities.	Remove all impurities.
	Water supply valve	Check water supply valve open position.	Open it to full water supply valve
	Flexible hose	Check if flexible hose is twisted.	Untwist the flexible hose.
Leakage	Cartridge	Check cartridge packing.	When packing is damaged, replace the cartridge.
	Flexible hose connection	Check if the packing is loosened. Check if the connection become loosen	Check the existence of packing and fix it again

Care & Maintenance

- * AERATOR may accumulate dirt causing distorted and reduced water flow. Remove and clean AERATOR and then replace it.
- * If faucet drips, operate handle several times from "off" to "on". Do not apply excessive force.
- * Clogged CARTRIDGE inlets may cause flow reduction in hot or cold water. To clean inlets, turn off water supply firstly.
- * If you need to maintain the faucet, please follow the below process. After maintenance, please reset the parts and check flow performance.



Attention:
Please leave manual with customer post installation.

Kitchen Faucet

FFAS5623-5015L0BF0

Seva Kitchen Faucet

FFAS5624-5015L0BF0

Neo Modern Kitchen Faucet

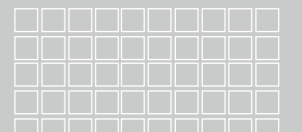


FFAS5623-5015L0BF0



FFAS5624-5015L0BF0

American Standard



Installation & Operation Instructions

Thank you for selecting American-Standard - the benchmark of fine quality for over 100 years. To ensure that your installation proceeds smoothly--please read these instructions carefully before you begin.

* American Standard continually improves our product design and performance and reserves the right to modify the dimension and specification of our products accordingly without any prior notification.

* This installation instruction sheet is for your reference only, the dimension and specification is subject to the actual products.

All instruction procedures must comply in strict accordance with applicable local plumbing and building codes

Pre-Installation Checks

- * Remove all impurity in pipes before beginning to avoid clogging. Connect faucet pipes correctly.
- * Check installation the Dimension Drawing to ensure to install it correctly.

Conditions for use

- * Recommended water pressure: 0.1~0.5Mpa.
- * Environment Temperature: 1~55°C
- * Steam is not allowed.

During installation of the faucet, Please grab the body. Do not grab handle only.

Recommended Tools and Materials



Adjustable Wrench



Screwdriver



Tape Measure



Teflon Tape

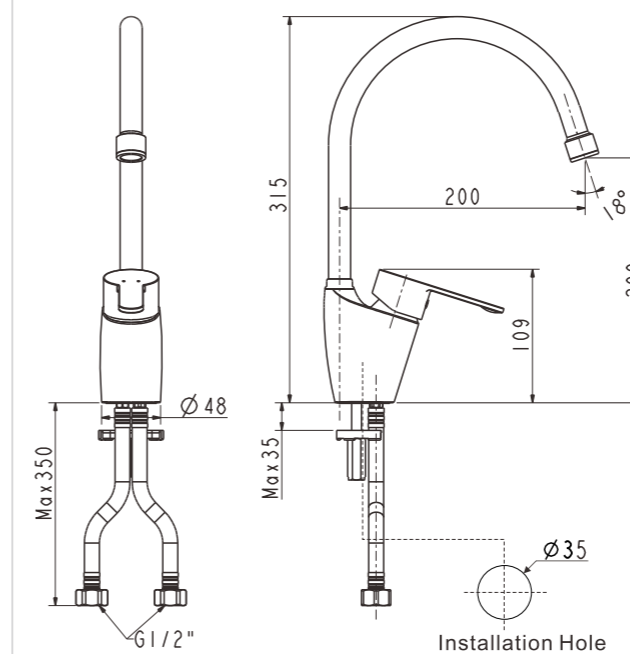


Pencil

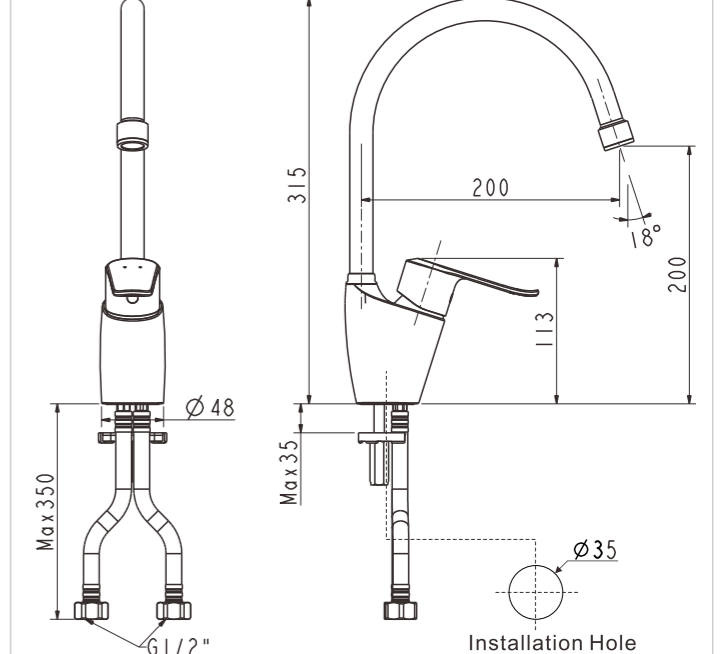
Dimension

Unit:mm

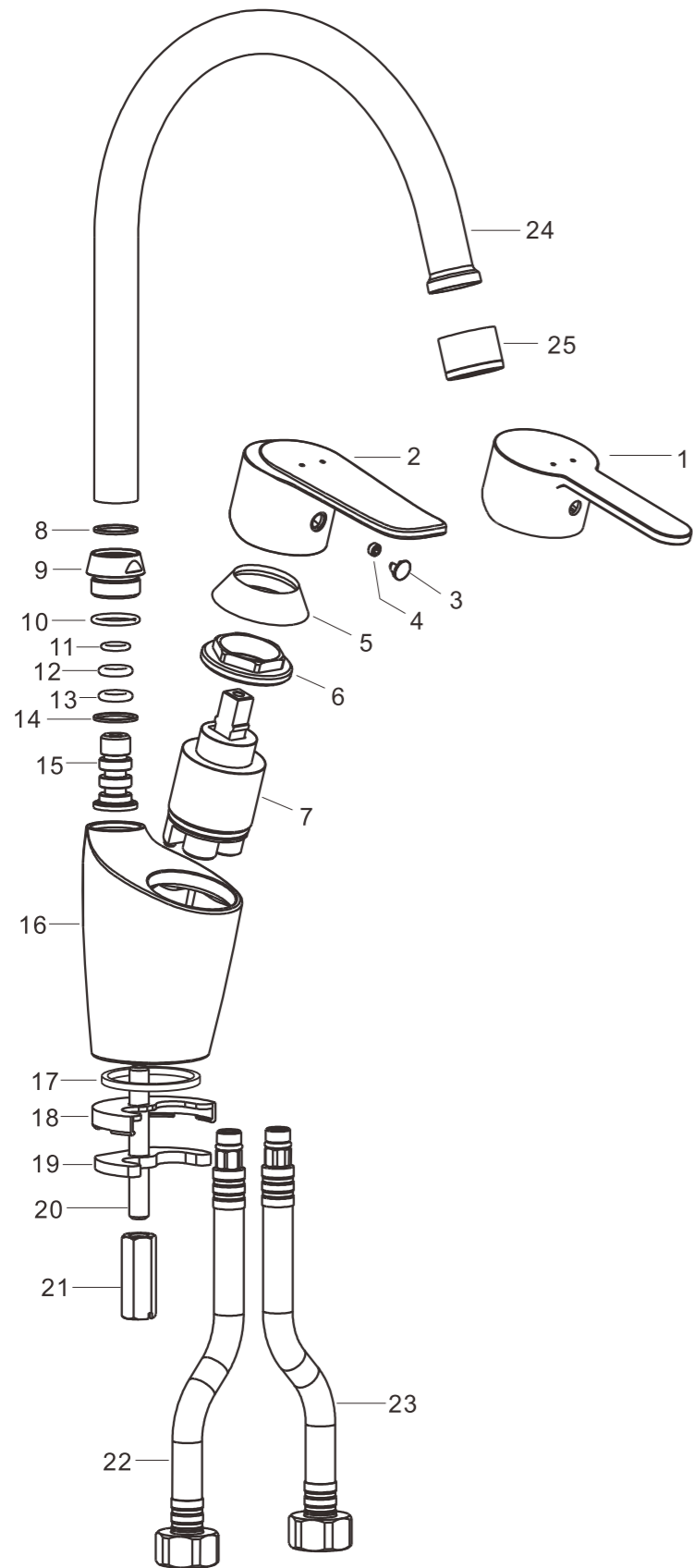
FFAS5623-5015L0BF0



FFAS5624-5015L0BF0



Parts List

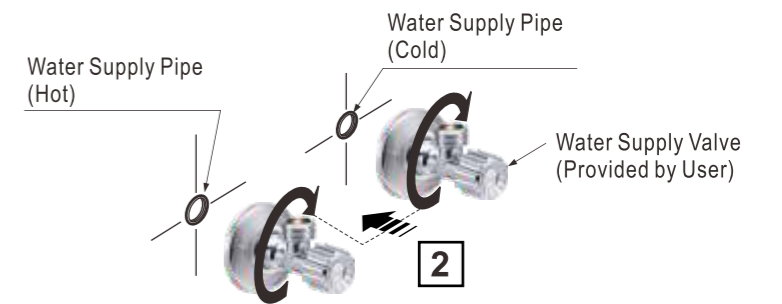
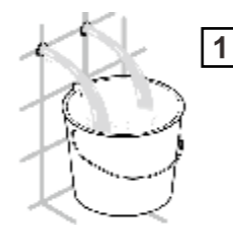


Parts List

No.	Part Name	Q'ty	
FFAS5623 / FFAS5624			
1	Handle	1	0
2	Handle	0	1
3	Index Button	1	1
4	Screw	1	1
5	Cap	1	1
6	Nut	1	1
7	Cartridge	1	1
8	Washer	1	1
9	Screw	1	1
10	O-Ring	1	1
11	O-Ring	1	1
12	O-Ring	1	1
13	O-Ring	1	1
14	Washer	1	1
15	Connect	1	1
16	Body	1	1
17	Washer	1	1
18	Washer	1	1
19	Washer	1	1
20	Shank	1	1
21	Nut	1	1
22	Hose (red)	1	1
23	Hose (blue)	1	1
24	Spout	1	1
25	Aerator	1	1

Installation

1 Preparation



- * Refer to the dimensional drawing and lay the pipes.
- * Wash and clean the water supply pipeline.

2 Faucet Installation

