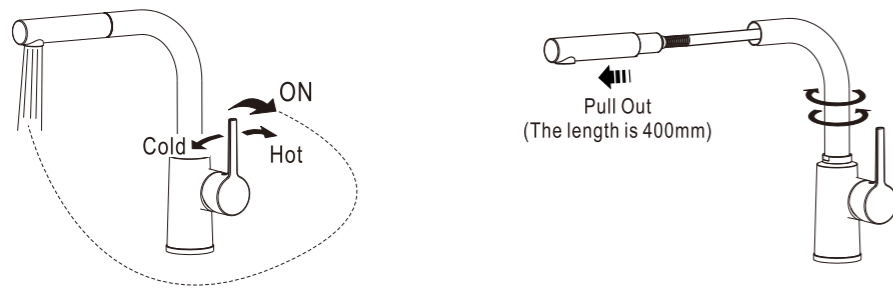


Test / Usage

1 Test

- * Turn handle to "OFF" position. Open Water supply valve to check all connections for leakage;
- * Turn handle to "ON" position. Check the water flow .

2 Usage

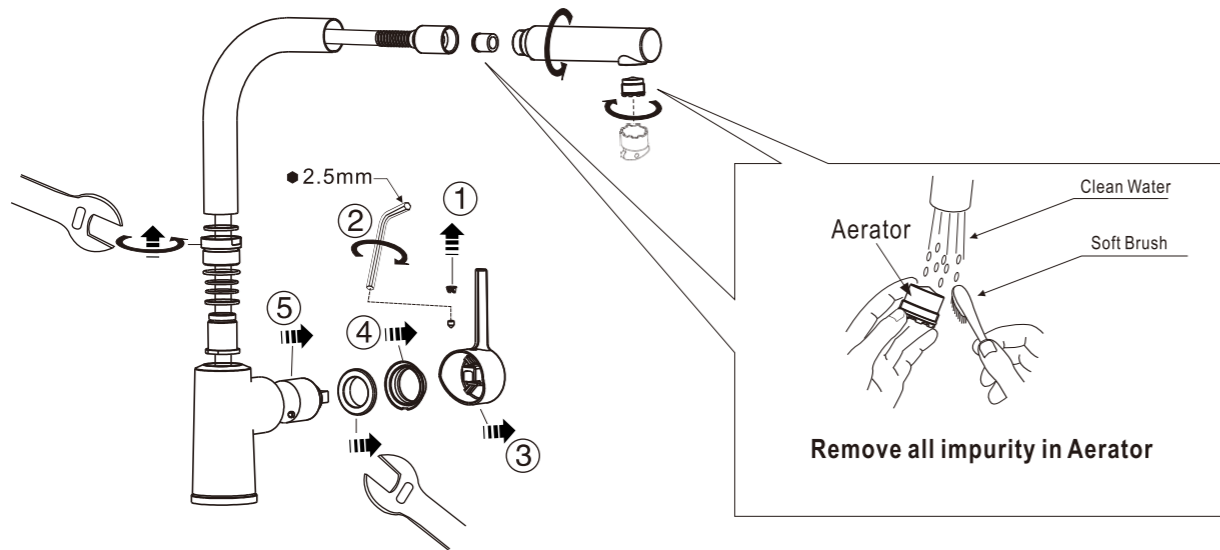


Trouble Shooting Guide

Trouble	Checkpoint	Contents	Action
Poor flow rate	Aerator	Check any impurities.	Remove all impurities.
	Water supply valve	Check water supply valve open position.	Open it to full water supply valve
	Flexible hose	Check if flexible hose is twisted.	Untwist the flexible hose.
Leakage	Cartridge	Check cartridge packing.	When packing is damaged, replace the cartridge.
	Flexible hose connection	Check if the packing is lost. Check if the connection become loosen	Check the existence of packing and fix it again

Care & Maintenance

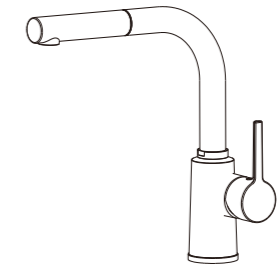
- * If you want to do the maintenance for the faucet, please follow the below process.
- * Before maintenance, please shut off the water supply system.



Attention:
Please Leave the manual to the customer
after installation is finished.

Celia

FFAS5626-5015L0BF0
Celia Pull Out Kitchen Faucet



American Standard

Installation &
Operation Instructions

Thank you for selecting American-Standard - the benchmark of fine quality for over 100 years.
To ensure that your installation proceeds smoothly--please read these instructions carefully before you begin.

- * American Standard always keep raising and improving the product design and performance, and reserve the right to modify the dimension and specification. At this case, we will not inform you separately.
- * This installation instruction sheet is for your reference only, the dimension and specification is subject to the actual products.

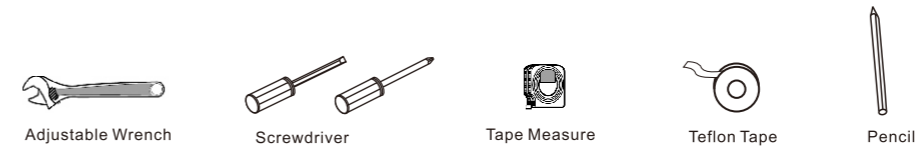
Pre-Installation Checks

- * Remove all impurity in pipes before beginning to avoid clogging. Connect faucet pipes correctly.
- * Check installation distances in the Dimension diagram to ensure correct installation.
- * When in the process of installation, grab the whole body. Do not grab handle only.

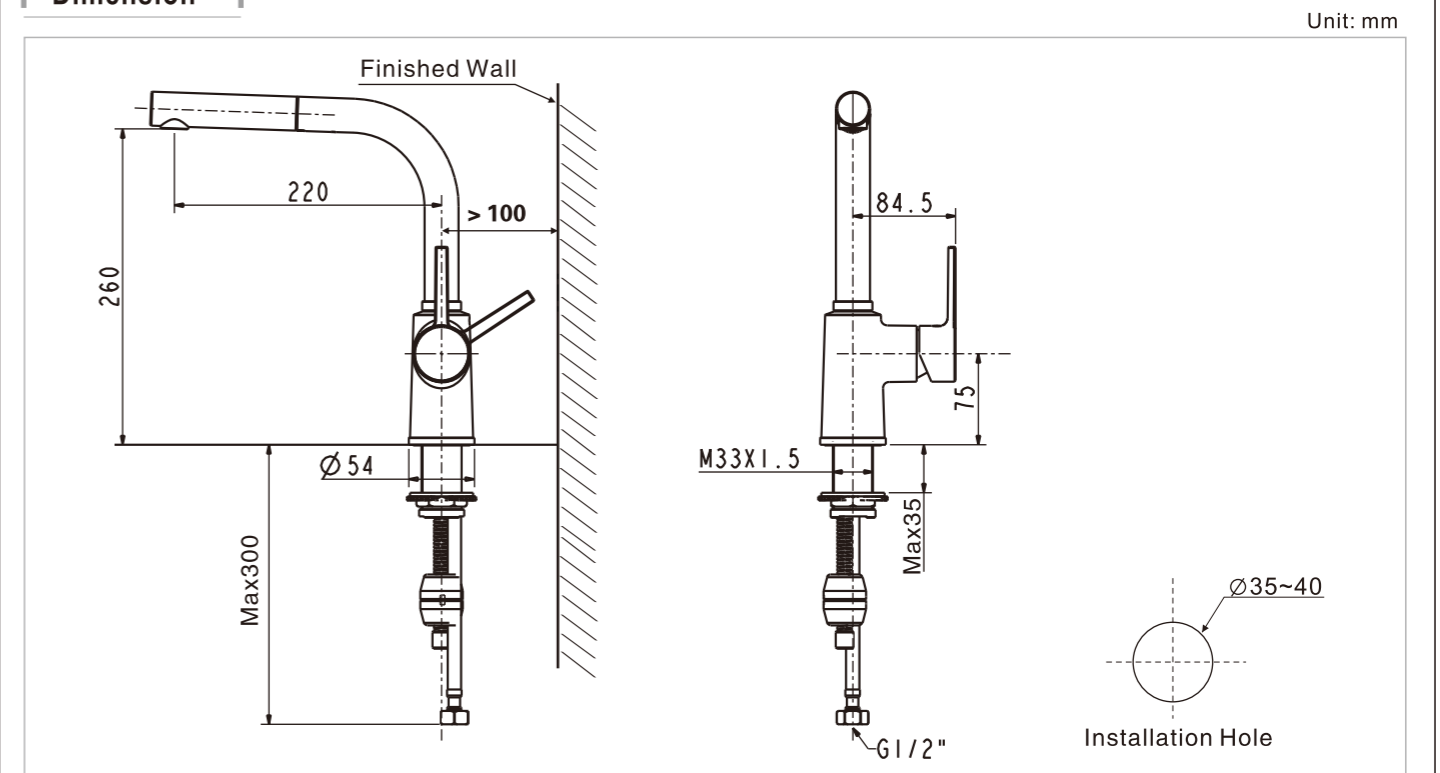
Conditions for use

- * Water pressure condition: 0.05~0.75MPa (Recommended water pressure condition: 0.1~0.5MPa)
- * Water supply for this product should be Municipal drinking water.
- * Environment Temperature: 1~55°C
- * Water Temperature: 4°C ~ 90°C, Recommended the highest hot water temperature 60°C.
- * Steam is not allowed to use. The cold and hot water pipes must not be reserved.

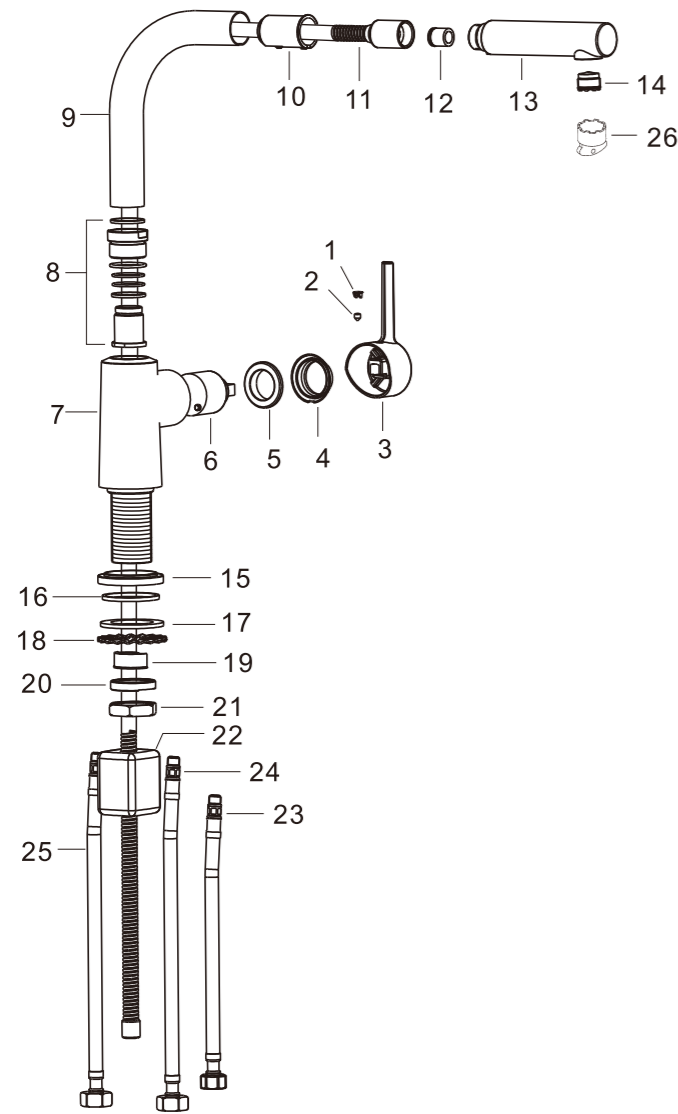
Recommended Tools and Materials



Dimension



Parts List

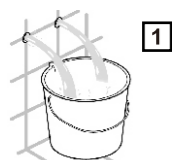


Parts List

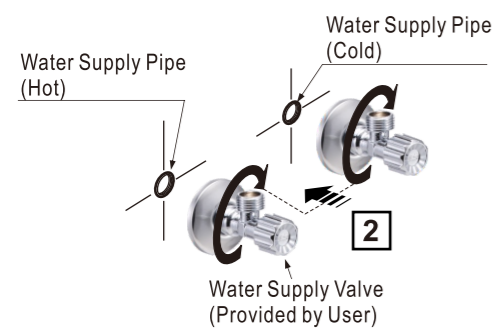
No.	Part Name	Q'ty
1	Index Button	1
2	Screw	1
3	Handle	1
4	Cap	1
5	Nut	1
6	Cartridge	1
7	Body	1
8	Connection	1
9	Spout	1
10	Bush	1
11	Hose (1500mm)	1
12	Check Valve	1
13	Kitchen Spray	1
14	Aerator	1
15	Escutcheon	1
16	Washer	1
17	Washer	1
18	Washer	1
19	Insert	1
20	Nut	1
21	Nut	1
22	Weight	1
23	Hose	1
24	Hose (red)	1
25	Hose (blue)	1
26	Aerator Wrench	1

Installation

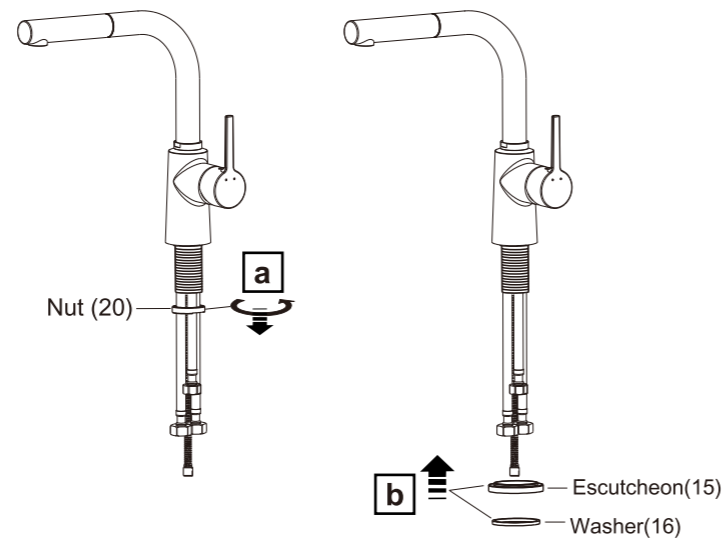
1 Preparation



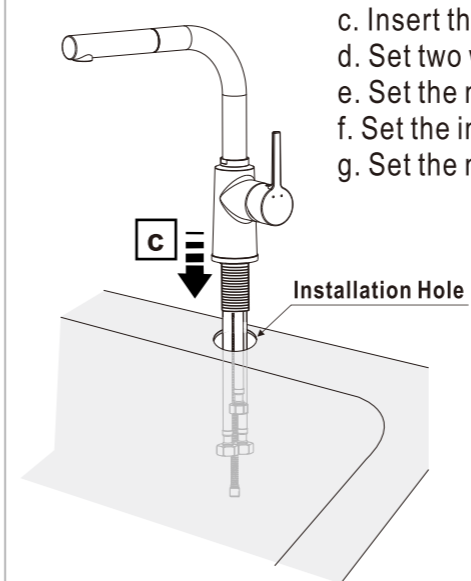
- * Consult the dimension drawing and lay the pipes.
- * Wash and clean the water supply pipeline.



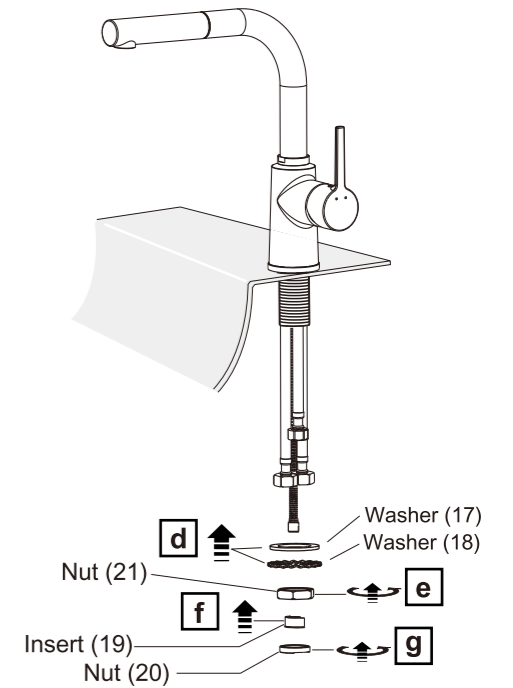
2 Faucet Installation



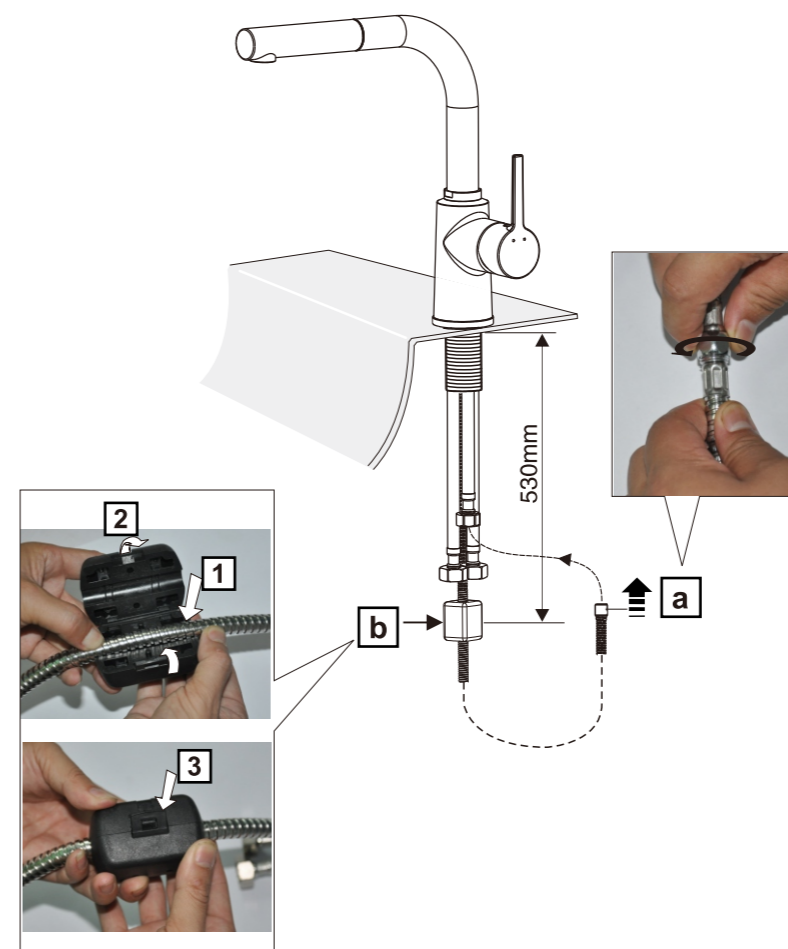
- Remove nut (20).
- Set escutcheon (15) & washer (16).



- Insert the hose to the installation hole.
- Set two washer (17 & 18).
- Set the nut (21) and then fix the faucet.
- Set the insert(19).
- Set the nut(20).



3 Hose Connection



- Connect flush hose and then fix.
- As figure shows, Install the weight to the flush hose.
- Connect hose and water supply valve.

