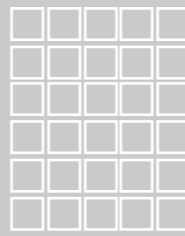


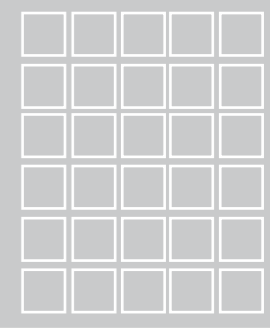
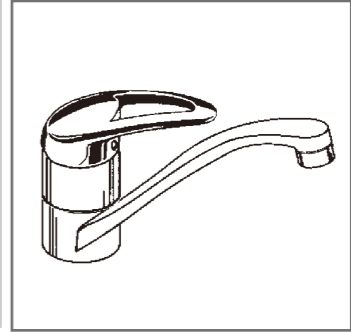
FFAS5635-501500BF0 (WF-5635.501.50)
 Idyll Single Hole Kitchen Faucet
 FFAS5636-501500BF0 (WF-5636.501.50)
 Aeolus Single Hole Kitchen Faucet
 FFAS5637-501500BF0 (WF-5637.501.50)
 Ceraplan Single Hole Kitchen Faucet



Thank you for selecting American-Standard - the benchmark of fine quality for over 100 years.
To ensure that your installation proceeds smoothly--please read these instructions carefully before you begin.

American Standard

FFAS5635-501500BF0 (WF-5635.501.50)
 Idyll Single Hole Kitchen Faucet
 FFAS5636-501500BF0 (WF-5636.501.50)
 Aeolus Single Hole Kitchen Faucet
 FFAS5637-501500BF0 (WF-5637.501.50)
 Ceraplan Single Hole Kitchen Faucet



Installation & Operation Instructions

7 Trouble Shooting

TROUBLE	WHERE TO CHECK	CONTENT	HOW TO DO
Low water-flux	Aerator	Check if there is impurity or not	Remove the impurity
	Angle valve	Check if the water from angle valve is enough or not	Increase water supply
	Faucet tube	Check if the faucet tube contort or not	Straighten the faucet tube
Leakage	Cartridge screw	Check if the cartridge screws get loosed	Tighten the cartridge screws
	Connection in faucet tube	Check if the connection is with the washer or not	Add the washer
Deviant Temperature	Supply system	Check if the water from angle valve is enough or not	Increase water supply
		Check if the supply pipe connected correct or not	Connect the hot and cold water pipe correctly

8 Maintenance & Repair

Repairing

* When you repair the faucet, you need to shut off hot/cold water supply, by closing angle valves.

Cleaning the aerator

- * Aerator is positioned at the end of the spout, to mix the water with air, and prevent water from splash.
- * Remove the aerator from the spout and clean occasionally since aerator can gather impurities.
- * When the aerator is damaged, replace with a new one.

Cleaning the surface of faucet

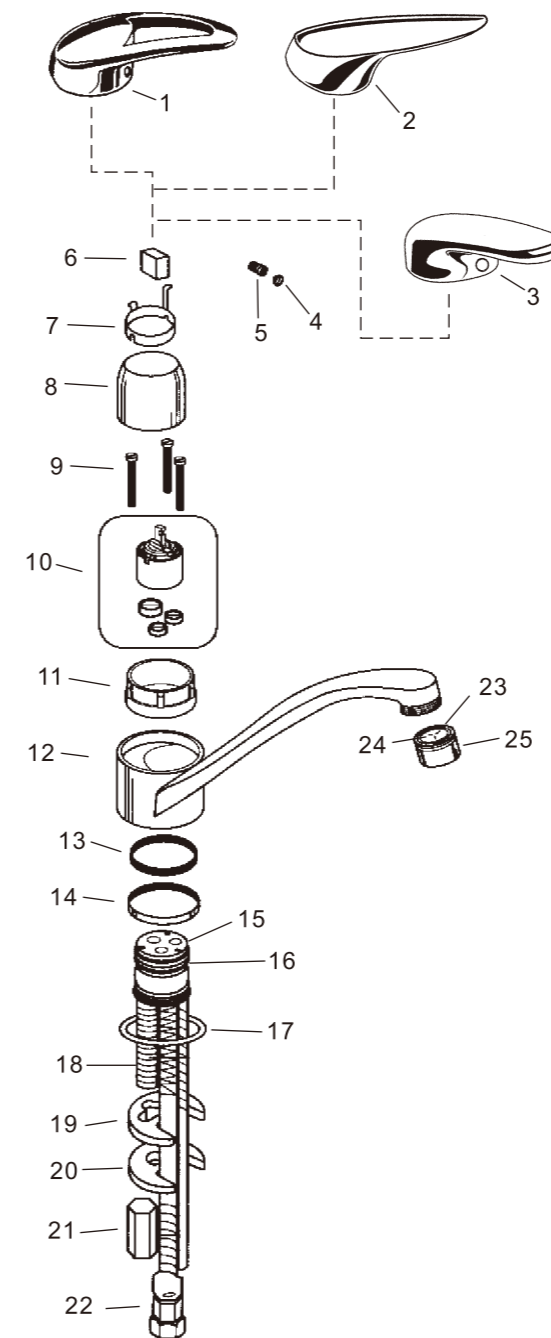
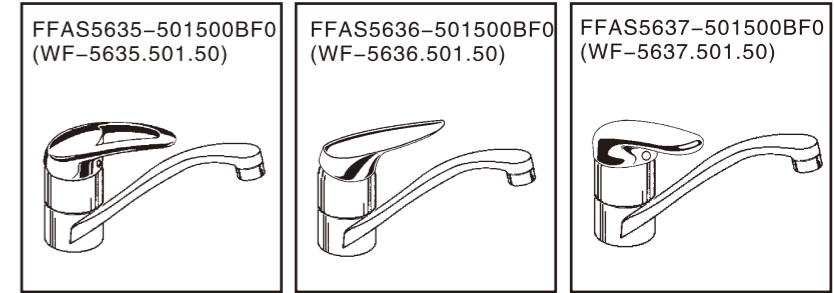
- * Rinse the product with clean water.
- * Dry with soft cotton flannel cloth.
- * Do not clean the product with acid, polish, abrasives, harsh cleaners, or cloth with a harsh surface as these products may damage the finish.

9 Term of Guarantee

- * One year for "O" rings or washers. Five years for Chrome plate Body of tap or faulty workmanship. Lifetime drip free warranty on Cartridge.
- * Except:
 - Trouble caused by disasters or user's carelessness.
 - If leakage is caused by connection problem with 3rd party products or non approved parts.

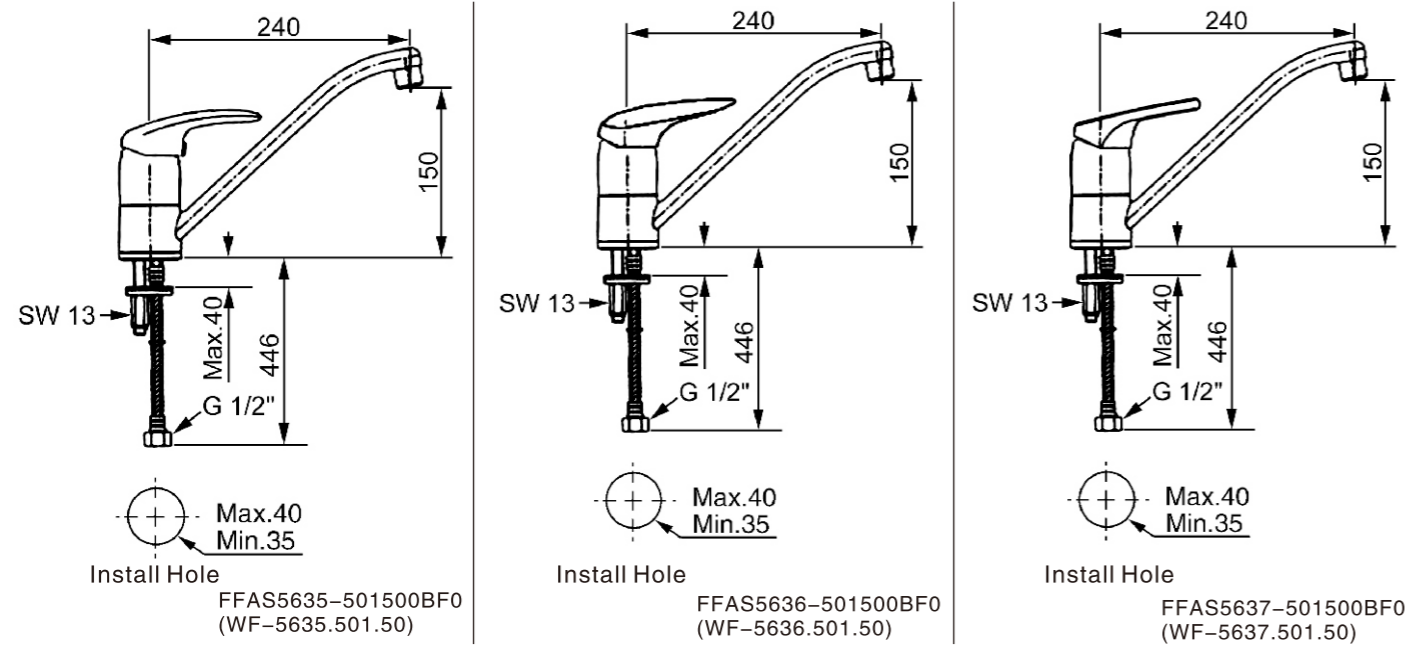


Attention Installer:
Leave this information the customer after installation is complete



PARTS LIST		
No.	Part Name	Q'ty
5635 / 5636 5637		
1	Handle	1 0 0
2	Handle	0 1 0
3	Handle	0 0 1
4	Index Button	1 1 1
5	Screw	1 1 1
6	Bushing	1 1 1
7	Retainer	1 1 1
8	Cap	1 1 1
9	Screw	3 3 3
10	Cartridge	1 1 1
11	Adapter	1 1 1
12	Spout	1 1 1
13	Washer	1 1 1
14	Seat	1 1 1
15	Cartridge Seat	1 1 1
16	O-Ring	2 2 2
17	O-Ring	1 1 1
18	Bolt	1 1 1
19	Washer	1 1 1
20	Washer	1 1 1
21	Nut	1 1 1
22	Hose	2 2 2
23	Washer	1 1 1
24	Aerator	1 1 1
25	Aerator Cover	1 1 1

1 Dimension



2 Note

* Remove all impurity in pipes before beginning to avoid clogging. Connect faucet pipes correctly. That is, the flexible hose with red mark is for HOT water, while the one with blue mark is for COLD water.
 * Check installation distances in the Dimension diagram to ensure correct installation.

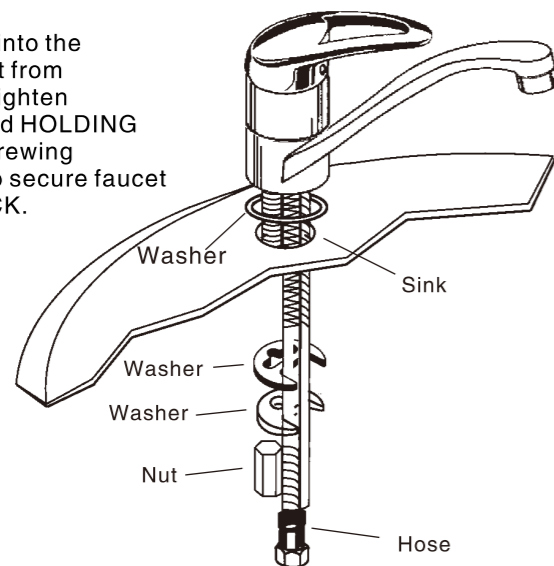
Conditions for use

- * Recommended water pressure condition: 0.1Mpa~0.5Mpa.
- * Steam is not allowed to use.
- * The cold and hot water pipes must not be changed.

3 Installation

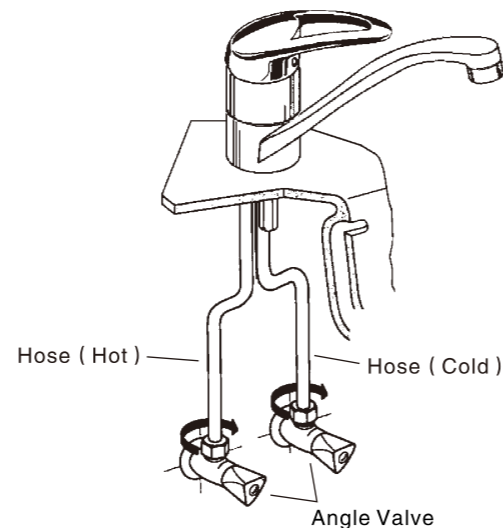
Faucet Install

- * Insert FAUCET TUBE through RUBBER RING into the hole of SINK DECK.
- * Screw BOLT into the hole of faucet from downside. Tighten PACKING and HOLDING PLATE by screwing LUCK NUT to secure faucet on SINK DECK.

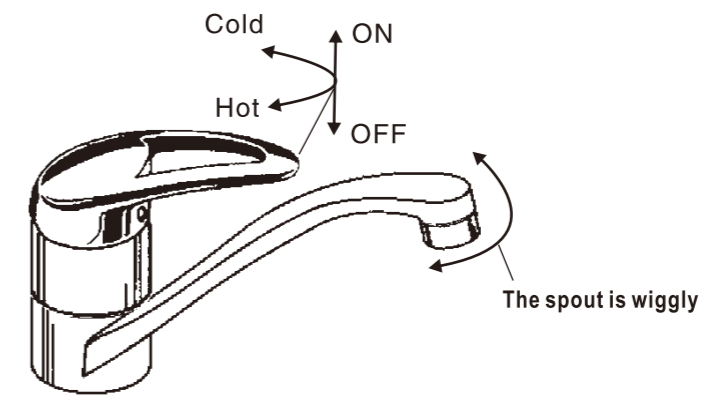


Connect Angle Valve

- * Connect FAUCET TUBE and SUPPLY VALVE using COUPLING NUT.
- * The HOT water pipe should be connected to the LEFT side and the COLD water pipe to the RIGHT side.



4 Directions For Use



5 Test

- * Remove the aerator.
- * Move handle down into "off" position. Turn on supply angle valve to check all connections for leak.
- * Operate handle up and down, left and right to flush water lines thoroughly.

6 Maintenance

- * AERATOR may accumulate dirt causing distorted and reduced water flow. Remove and clean AERATOR and then replace it.
- * If faucet drips, operate handle several times from "off" to "on". Do not apply excessive force.
- * Clogged CARTRIDGE inlets may cause reduced flow in "full on" hot or cold water. To clean inlets, first turn off water supply, then:
 - ~ Remove HANDLE, ESCUTCHEON CAP, CARTRIDGE and CARTRIDGE SEAT. Clean inlets and its pipes.
 - ~ Reassemble CARTRIDGE, alternately tightening screws. Replace ESCUTCHEON CAP and HANDLE. Check water flow.

