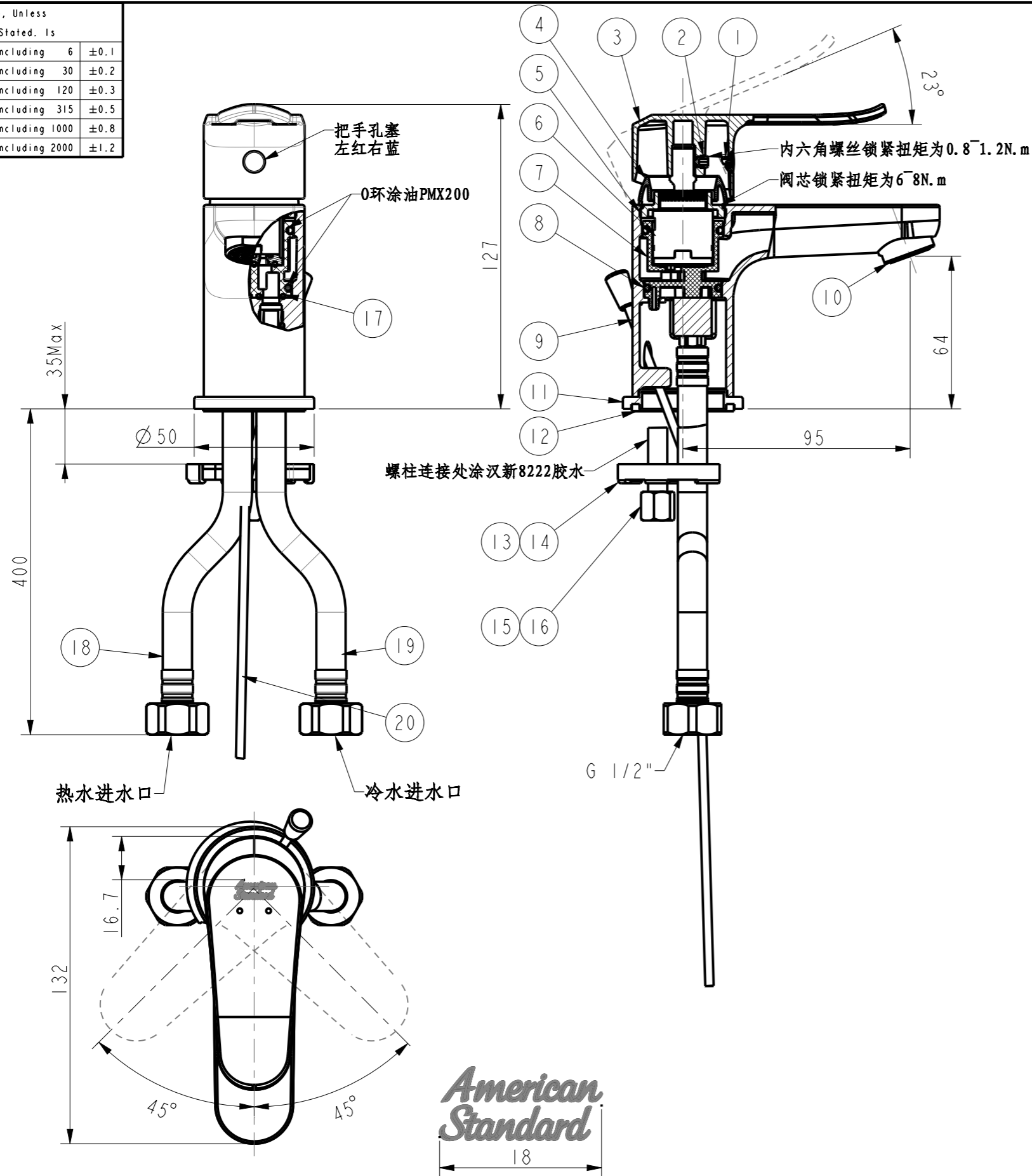


A/0

Tolerance, Unless Otherwise Stated, Is			
Above	0.5 to and including	6	±0.1
Excess	6 to and including	30	±0.2
Excess	30 to and including	120	±0.3
Excess	120 to and including	315	±0.5
Excess	315 to and including	1000	±0.8
Excess	1000 to and including	2000	±1.2



- 技术要求:
- 1、扭矩参照《WI09.1520 组装扭矩使用规范》。
  - 2、涂胶水参照《WI09.0519 组装常用胶水操作规范》。
  - 3、产品组装后符合内控标准《WI10.0504—陶瓷片密封水嘴》。
  - 4、除图上标示,其它O环涂DC111润滑油。

20	FF1-CN521Z00000300	1585522050\新摩登提拉杆	Assembly	1	
19	FF1-CN521T0004999P	单孔进水软管(PEX, 蓝, 450mm)	Assembly	1	
18	FF1-CN521T0004899P	单孔进水软管(PEX, 红, 450mm)	Assembly	1	
17	FF1-CN521G0003499R	O环8.2*1.9	NBR	2	
16	FF1-CN521N0008499S	不锈钢螺母M8x12	SUS304	1	
15	FF1-CN521J0023299S	螺柱M8x70	SUS304	1	
14	FF1-CN521J00000432	马蹄铁 A923271	Q235	1	
13	FF1-CN521G00000238	US感应龙头紧固橡胶垫(A911942)	NBR	1	
12	FF1-CN521G00000324	垫片 42.5*36.1*3	NBR	1	
11	FF1-CN521W00000030	本体垫片	ZZnAl4-1	1	
10	FF1-CN521G00000023	1581171499\平垫圈 20.9*14.5*3	NBR	1	
	FF1-CN521A0001450B	158500239A\面盆起泡器组件M24x	Assembly	1	
9	FFZZ0021-0014050PL	本体	GkMs60Fk	1	
8	FF1-CN521G00003299	O环26.64X2.62	NBR	2	
7	FF1-CN521J00008799	阀芯底座	PPO	1	
6	FF1-CN521C00000011	阀芯	Assembly	1	
5	FF1-CN521N00002599	锁紧螺母	HPb59-1	1	
4	FF1-CN521F00000041	1580726950\25# 阀芯顶盖	ABS	1	
3	FF1-CN521L00000091	把手	ZZnAl4-1	1	
2	FF1-CN521N00000228	内六角螺丝	SUS304	1	
1	FF1-CN521Z00000086	1580970499\托尼克红蓝孔塞	ABS	1	
序号	零件料号	名称	材质	数量	备注

DESIGNED	利华沃	20210720	TITLE	Neo Modern SH Basin Faucet (W/o Drain)
CHECKED	<i>[Signature]</i>	2021.07.20	REF	
APPROVED	<i>[Signature]</i>	2021.7.20	新摩登单孔面盆龙头(无排杆)	
SCALE	MATERIAL	WEIGHT	DWG NO.	
0.500	Assembly		FFAS0701-102500BF0	<b>American Standard</b>

REV	DESCRIPTION	DATE	NAME