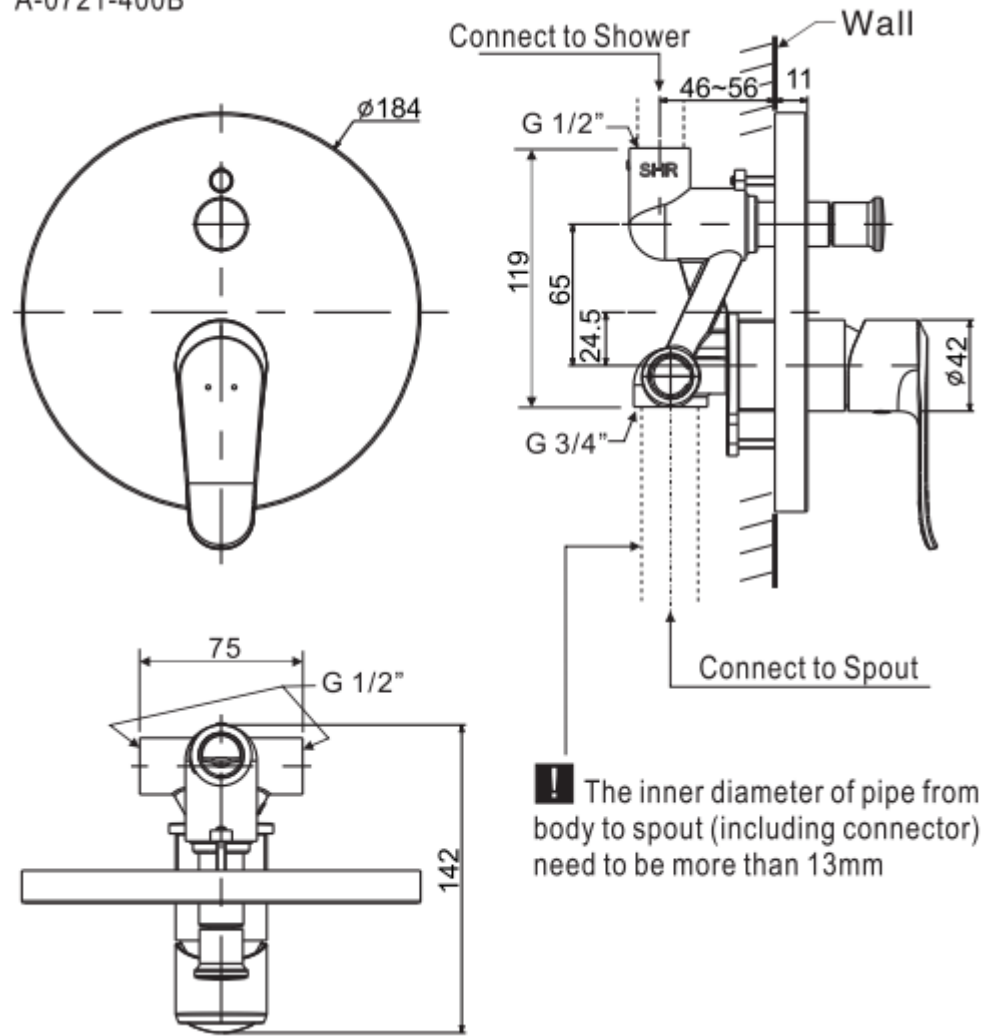


A-0721-400B



! The inner diameter of pipe from body to spout (including connector) need to be more than 13mm