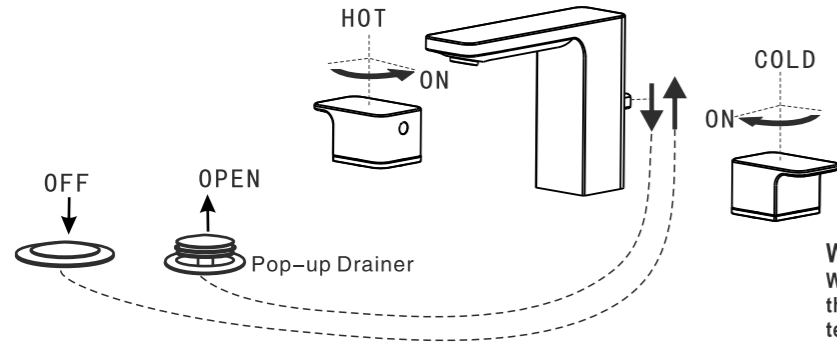


Test / Usage

1 Test

- * Move handle down into "OFF" position. Turn on supply angle valve to check all connections for leak.
- * Operate handle up and down, left and right to flush water lines thoroughly.

2 Usage



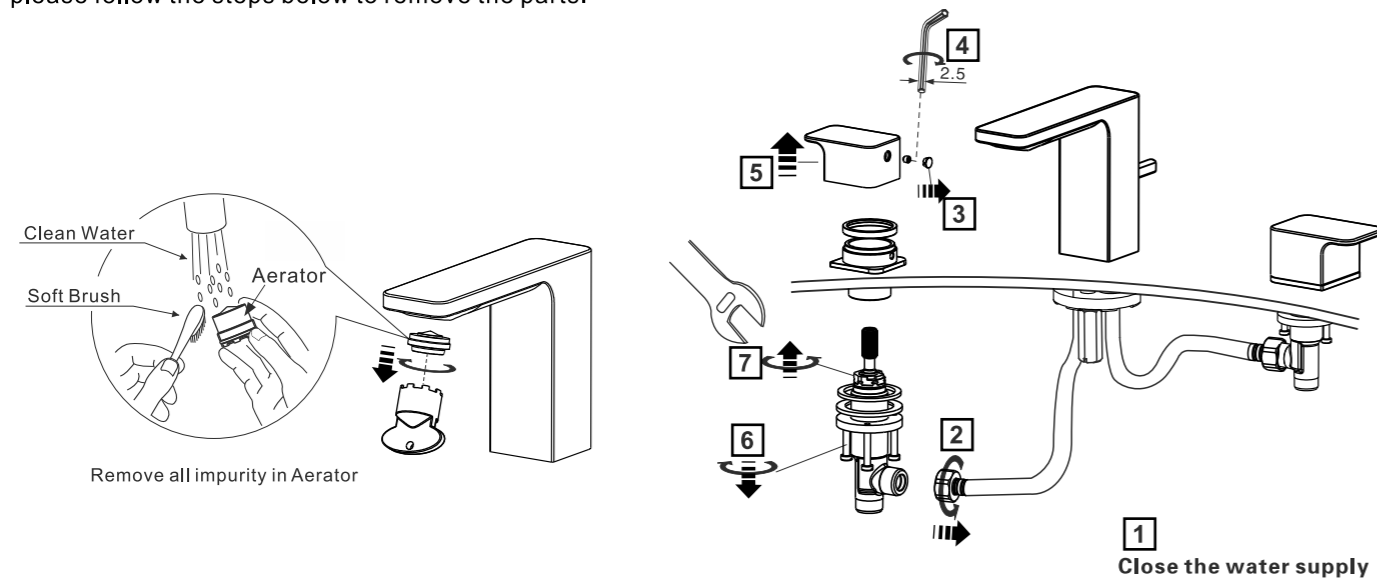
Warning:
When you use the faucet, please open the cold water first, then open the hot water slowly until you get a comfortable temperature for mixed water.

Trouble Shooting Guide

Trouble	Checkpoint	Contents	Action
Poor flow rate	Regulator	Check any impurities.	Remove all impurities.
	Angle valve	Check valve position.	Open it to full valve
	Flexible hose	Check if hose is twisted.	Untwist the hose.
Leakage	Cartridge packing	Check cartridge install.	When packing is damaged, replace the cartridge.
	Hose junction	Check the connection.	Check the existence of packing and wind it up sufficiently
Deviant Temperature	Supply valve	Check if the water from supply valve is enough or not	Increase water supply
	Supply system	Check if the supply pipe connected correct or not	Connect the hot and cold water pipe correctly

Care & Maintenance

- * If you want to change the parts or clean the inner of faucet, please follow the steps below to remove the parts.

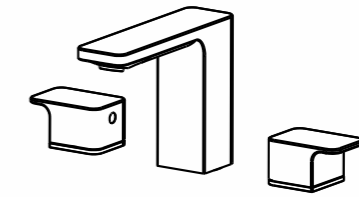


Attention:
Please Leave the manual with the customer after installation is finished.

Acacia-Evolution

FFAS1303-101XXXBF0
FFAS1303-101XXXBT0
Acacia Evolution 3H Basin Mixer

XXX = AL0 / A00 / DA0 / GL0 / 440 / 500



American Standard

Installation & Operation Instructions

Thank you for selecting American-Standard - the benchmark of fine quality for over 100 years.
To ensure that your installation proceeds smoothly--please read these instructions carefully before you begin.

* American Standard always keep raising and improving the product design and performance, and reserve the right to modify the dimension and specification. At this case, we will not inform you separately.

* This installation instruction sheet is for your reference only, the dimension and specification is subject to the actual products.

All instruction procedures must comply in strict accordance with applicable local plumbing and building codes

Pre-Installation Checks

- * Remove all impurity in pipes before beginning to avoid clogging. Connect faucet pipes correctly.
- * Check installation distances in the Dimension diagram to ensure correct installation.

Conditions for use

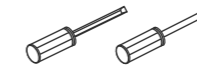
- * Recommended water pressure condition: 0.1~0.5Mpa.
- * Environment Temperature: 1~55°C
- * Steam is not allowed to use.
- * The cold and hot water pipes must not be reserved.

When in the process of installation, Please grab the body. Do not grab handle only.

Recommended Tools and Materials



Adjustable Wrench



Screwdriver



Tape Measure



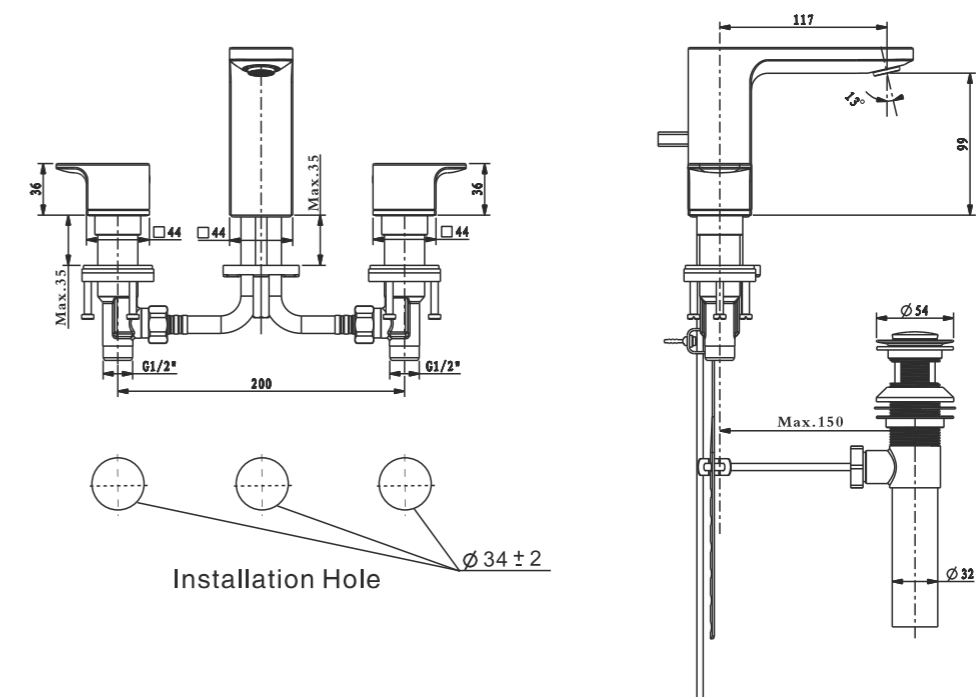
Teflon Tape



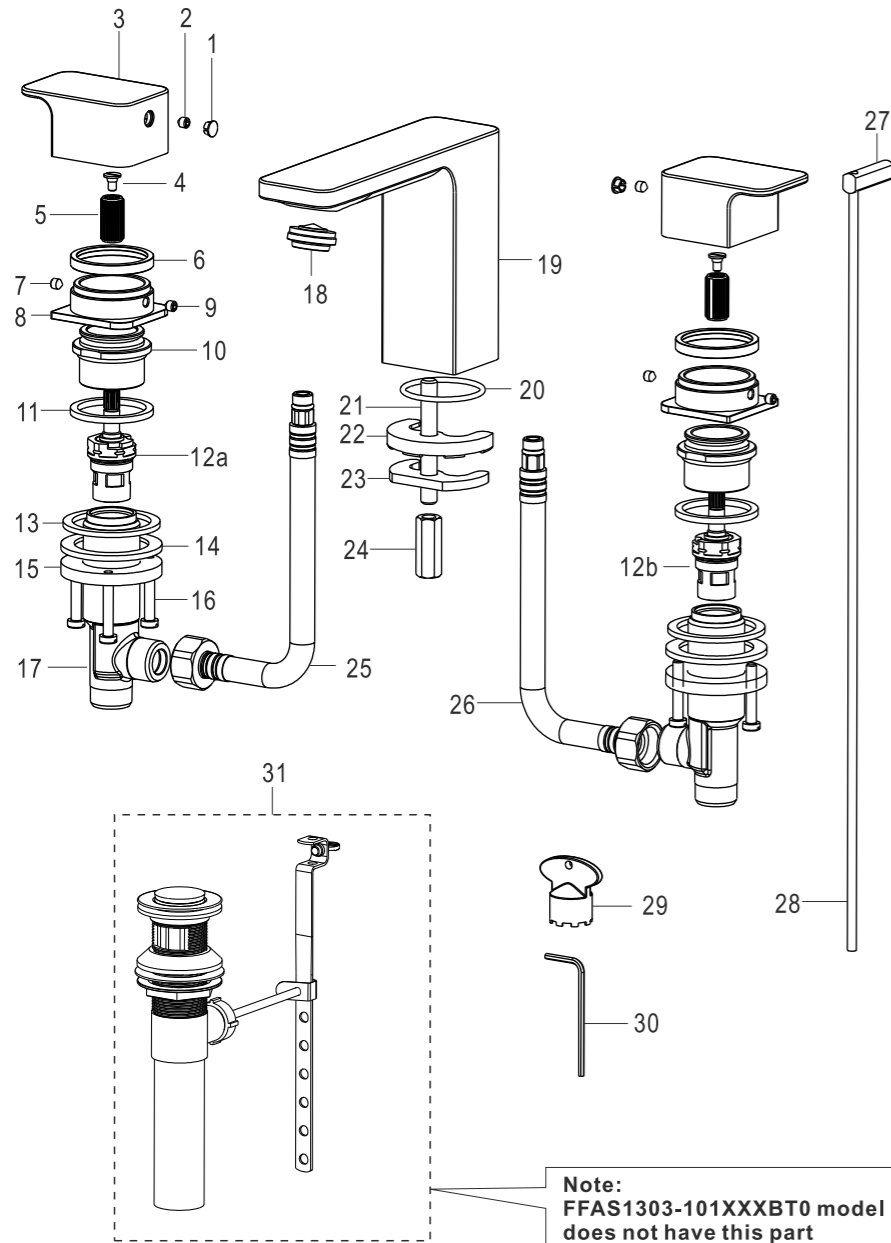
Pencil

Dimension

unit: mm



Parts List



Parts List

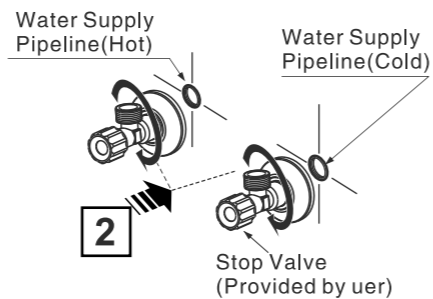
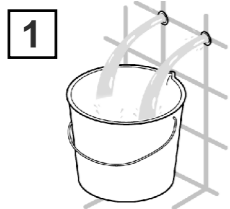
No.	Part Name	Q'ty
1	Index Button	2
2	Screw	2
3	Handle	2
4	Screw	2
5	Bushing	2
6	Washer	2
7	Screw	2
8	Seat	2
9	Screw	2
10	Copper Bush	2
11	Washer	2
12a	Cartridge(hot)	1
12b	Cartridge(cold)	1
13	Washer	2
14	Washer	2
15	Nut	2
16	Screw	6
17	Body	1
18	Aerator	1
19	Spout	1
20	O-Ring	1
21	Screw Bolt	1
22	Washer	1
23	Washer	1
24	Nut	1
25	Hose(Red)	1
26	Hose(Blue)	1
27	Knob	1
28	Pop-up Rod	1
29	Aerator Wrench	1
30	In-hex Wrench	1
31	Pop-up Drainer	1

Note:
FFAS1303-101XXXBT0 model
does not have this part

Installation

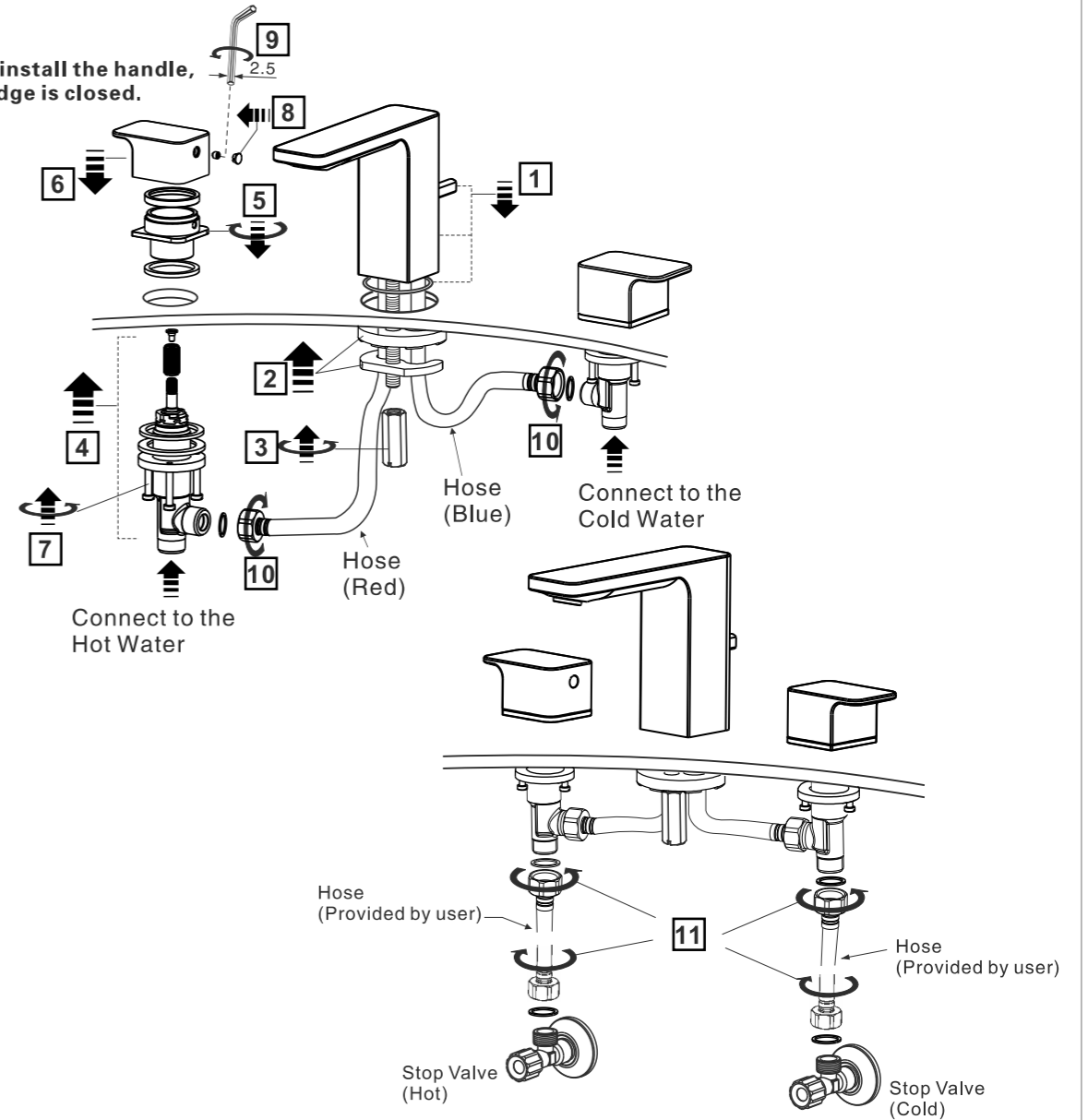
1 Preparation

- * Consult the dimension drawing and lay the pipes.
- * Wash and clean the water supply pipeline.



2 Installing the Faucet

When you install the handle,
the Cartridge is closed.



3 Installing the Pop-up Drainer

(FFAS1303-101XXXBF0)

