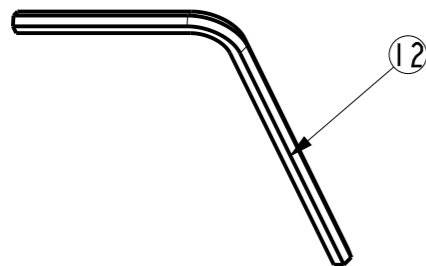
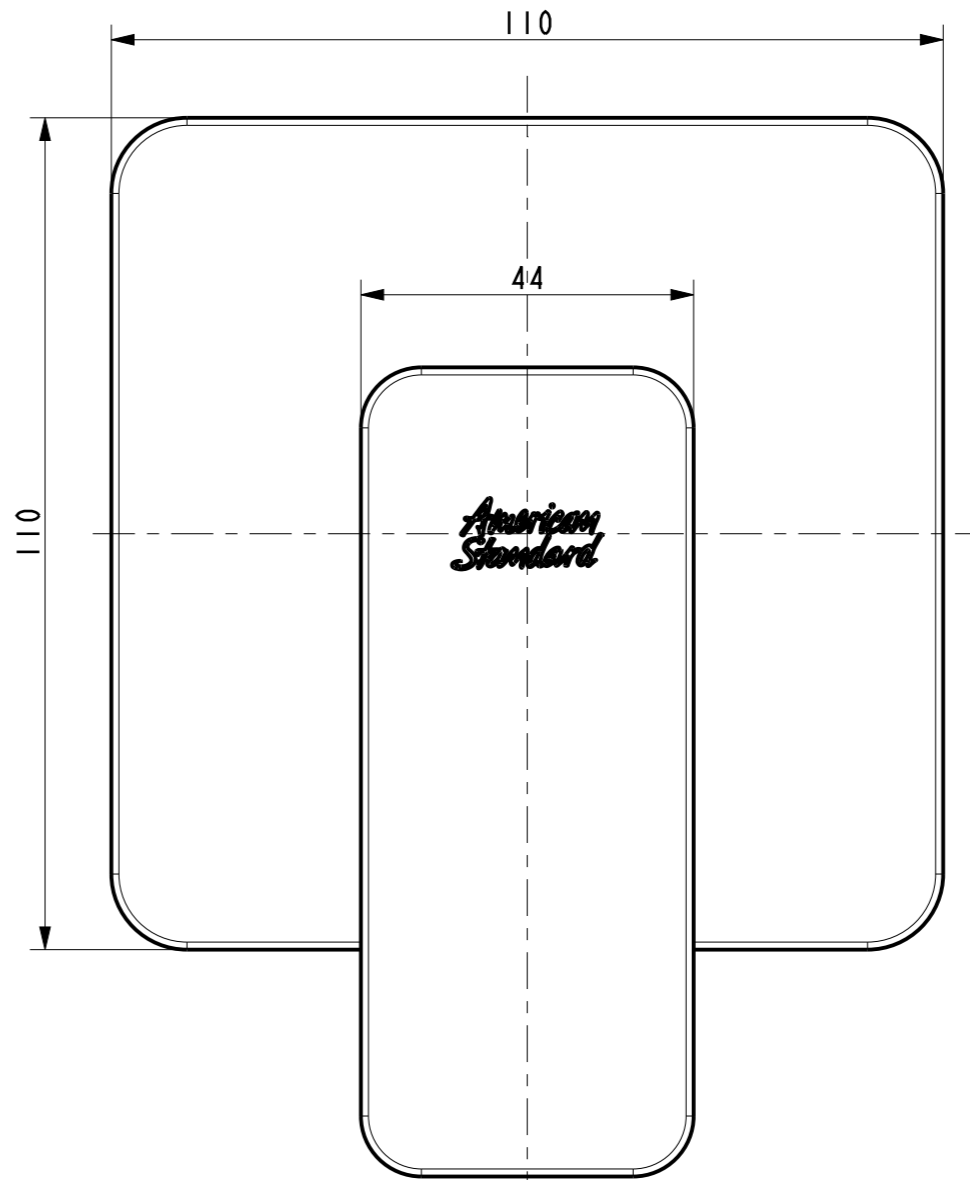
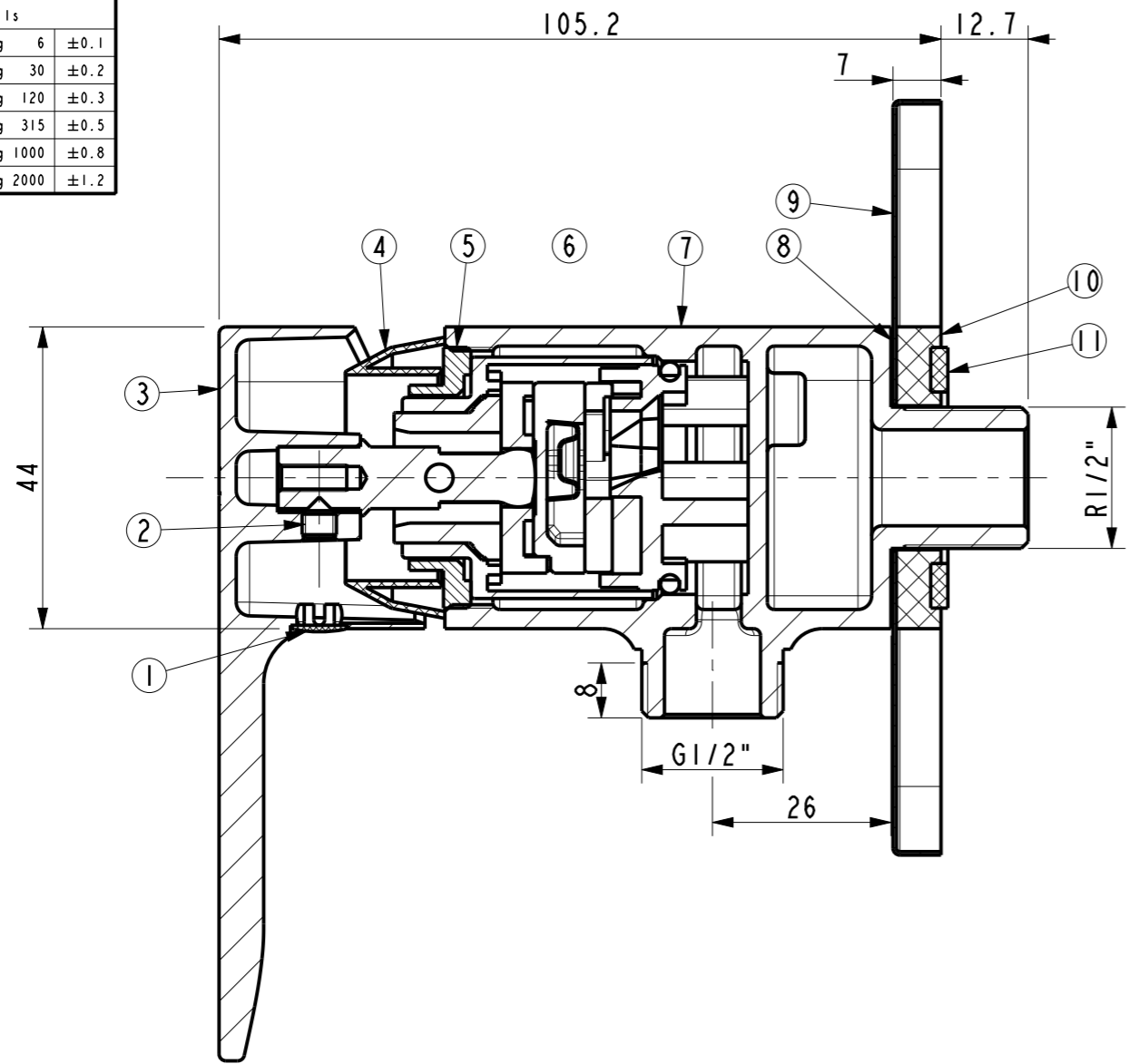


Tolerance, Unless Otherwise Stated, Is			
Above 0.5 to and including 6	6		±0.1
Excess 6 to and including 30	30		±0.2
Excess 30 to and including 120	120		±0.3
Excess 120 to and including 315	315		±0.5
Excess 315 to and including 1000	1000		±0.8
Excess 1000 to and including 2000	2000		±1.2



12	FF1-CN521Z00000254	In-Hex Wrench for H01 Mixer	1	Q235	
11	FF1-CN521G00000033	Flat Washer 38*25*2.5	1	NBR	
10	FF1-CN521G00000202	Washer(PA66)	1	PA66	
9	FF1-CN521F00000127	Cover For Ventuno shower	1	H62	Chrome
8	FF1-CN521G00000203	Washer(Clarity)	1	PVC	
7	FFZZ0021-0002850PL	Body for Acacia-E Exposed Mon	1	GkMs60Fk	Chrome
6	FF1-CN521C00001399	C35G-1 Cartridge	1	Assembly	
5	FF1-CN521N00000096	Lock Nut for Acacia Cartridge	1	Hpd59-1	
4	FF1-CN521F0004050P	Cartridge Cover	1	ABS	Chrome
3	FF1-CN521L00000199	Handle for Acacia-E Basin Mon	1	ZZnAL4-1	Chrome
2	FF1-CN521N00000228	In-Hex Screw for Celia LeverM5*6	1	SUS 304	
1	FF1-CN521Z00004950	Plug for handle (Chrome)	1	ABS	Chrome
NO.	PART NO.	PART NAME	QTY	MATERIAL	FINISH

DESIGNED			TITLE		
CHECKED			REF		
APPROVED			Acacia E Exposed Shower Mono		
SCALE	MATERIAL	WEIGHT	DWG NO.		<i>American Standard</i>
1:1	Assembly		FFAS1326-7T1500BT0		

REV	DESCRIPTION	DATE	NAME