

FFAS1M01-101500BT0

Loven

Loven basin mixer with Pop-up Drain

STYLE SEGMENT

- Modern

KEY SPECIFICATIONS

- Product Description: Single-Hole Basin Mixer Faucet
- Colour: Chrome
- Faucet Type: Mixer
- No. of Faucet Holes Required: 1
- Flow Rate: 3.5 L/min
- Is Drain Included: Yes
- Connection Size (inches): G1/2



SHIPPING WEIGHT

- Net Weight: Contact us for more information
- Gross Weight: Contact us for more information

KEY TECHNOLOGIES AND FEATURES

HYGIENE

- Complies with American Standard Quality Standards

COMFORT

- ComfortMove
- Comfort Space

CONVENIENCE

- Complies with American Standard Quality Standards

DURABILITY

- Durashine

SUSTAINABILITY

- EcoStart
- Water-Saving

SAFETY

- Complies with American Standard Quality Standards

OTHERS

- NIL

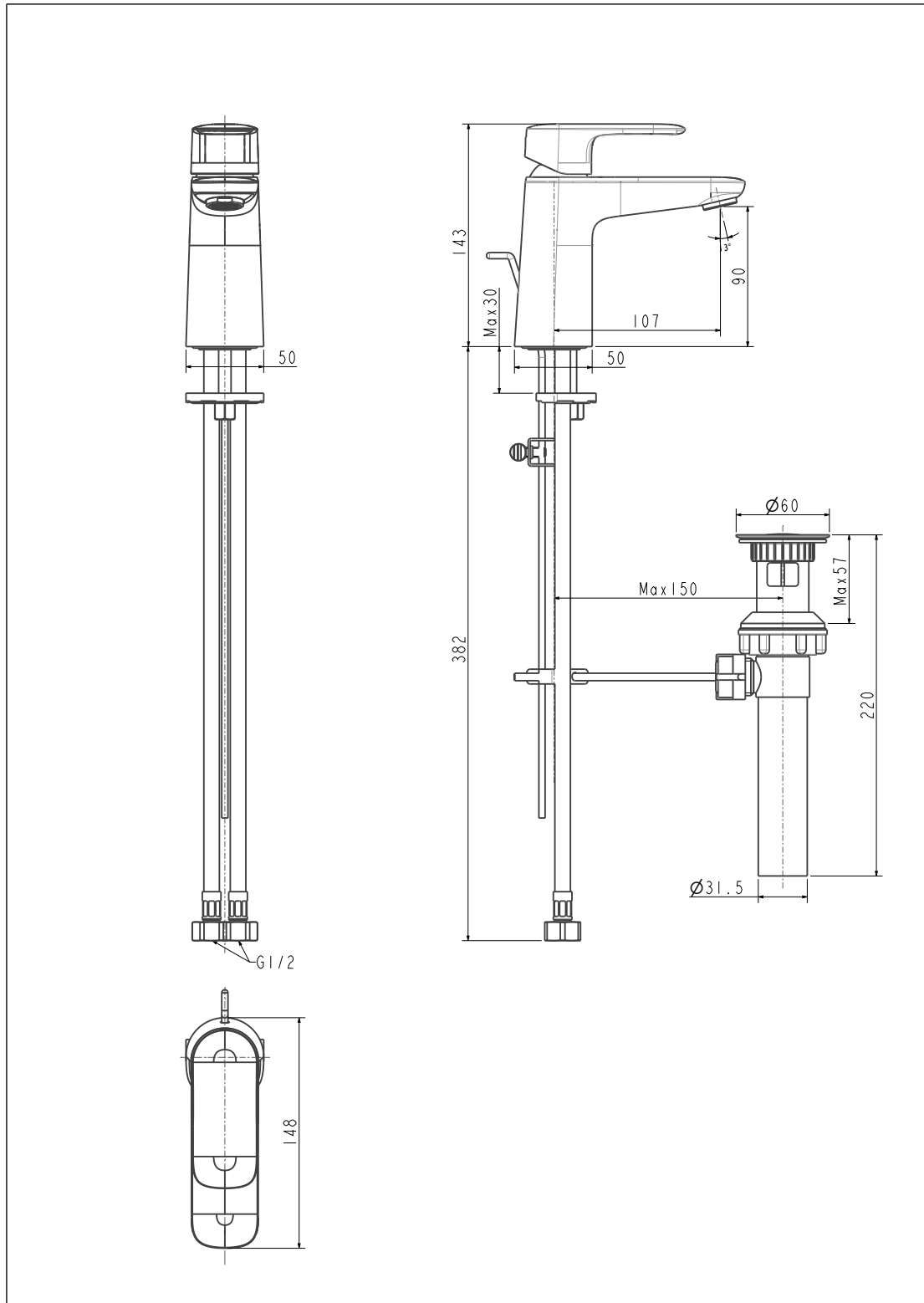
STANDARDS AND CERTIFICATIONS

- GB 18145-2014
- TIS 2067-2552

FFAS1M01-101500BT0

Loven

Loven basin mixer with Pop-up Drain



FFAS1M01-101500BT0

Loven

Loven basin mixer with Pop-up Drain

Product	Description	Single-Hole Basin Mixer Faucet
	Weight (kg)	1.45
	Finish	Chrome
	Flow Rate	3.5 L/min
	Mounting Location	Deck Mount
Material & Color	Material	Plastic
	Color	Chrome
Faucet	Type	Mixer
	No. of Holes Required	1
Connection	Size (mm)	21
	Size (inches)	G1/2
Handle	Material	Zinc Die Cast
	Type	Lever
	No. of Handles	1
Components	Drain Included	Yes
	Included	Pop-up Waste
	Excluded	N/A
Spout	Hose Thread in Spout	Yes
	Dimensions (mm)	Spout Reach:107 , Spout Height:90
	Type	Ceramic
Valve	Type	Integrated