

FFAS1M01-101500BF0

Loven

Loven basin mixer with Pop-up Drain

STYLE SEGMENT

- Modern

KEY SPECIFICATIONS

- Product Description: Basin mixer
- Colour: Chrome
- Faucet Type: Mixer
- No. of Faucet Holes Required: 1
- Flow Rate: 3.5L/Min @0.1MPa
- Is Drain Included: Yes
- Connection Size (inches): G1/2



SHIPPING WEIGHT

- Net Weight: Contact us for more information
- Gross Weight: Contact us for more information

KEY TECHNOLOGIES AND FEATURES

HYGIENE

- Complies with American Standard Quality Standards

COMFORT

- ComfortMove
- Comfort Space

CONVENIENCE

- Complies with American Standard Quality Standards

DURABILITY

- Durashine

SUSTAINABILITY

- EcoStart
- Water-Saving

SAFETY

- Complies with American Standard Quality Standards

OTHERS

- NIL

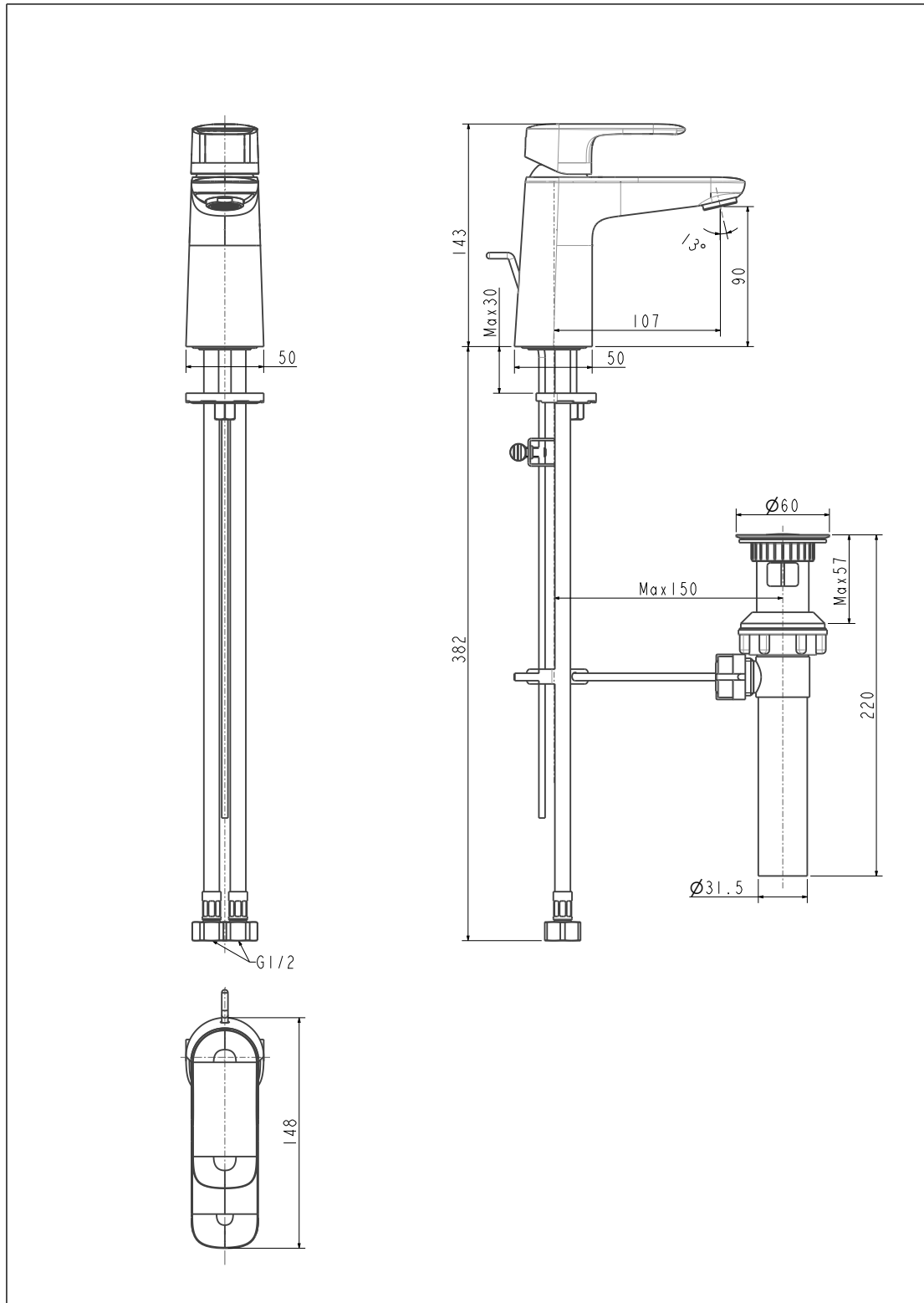
STANDARDS AND CERTIFICATIONS

- GB 18145-2014
- TIS 2067-2552

FFAS1M01-101500BF0

Loven

Loven basin mixer with Pop-up Drain



FFAS1M01-101500BF0

Loven

Loven basin mixer with Pop-up Drain

| | | |
|-----------------------------|-----------------------|-----------------------------------|
| Product | Description | Basin mixer |
| | Weight (kg) | 1.45 |
| | Finish | Chrome |
| | Flow Rate | 3.5L/Min @0.1MPa |
| | Mounting Location | Deck Mount |
| Material & Color | Material | Plastic |
| | Color | Chrome |
| Faucet | Type | Mixer |
| | No. of Holes Required | 1 |
| Connection | Size (mm) | 21 |
| | Size (inches) | G1/2 |
| Handle | Material | Zinc Die Cast |
| | Type | Lever |
| | No. of Handles | 1 |
| Components | Drain Included | Yes |
| | Included | Pop-up Waste |
| | Excluded | N/A |
| Spout | Hose Thread in Spout | Yes |
| | Dimensions (mm) | Spout Reach:107 , Spout Height:90 |
| | Type | Ceramic |
| Valve | Type | Integrated |