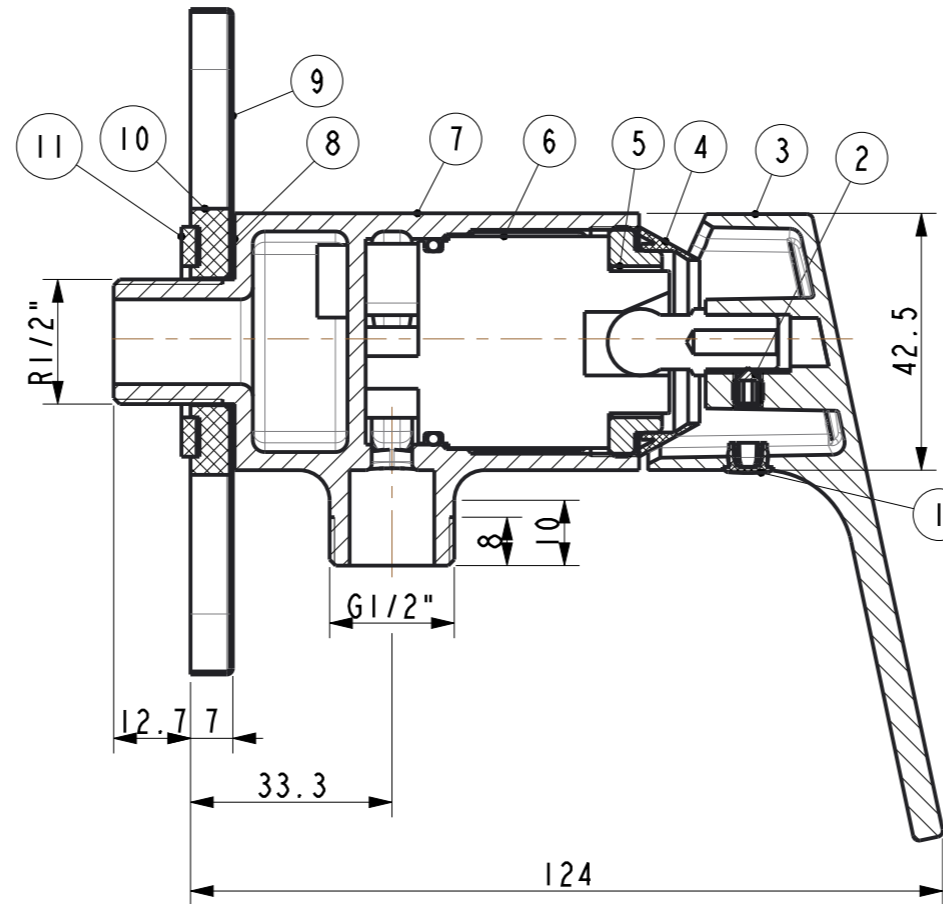
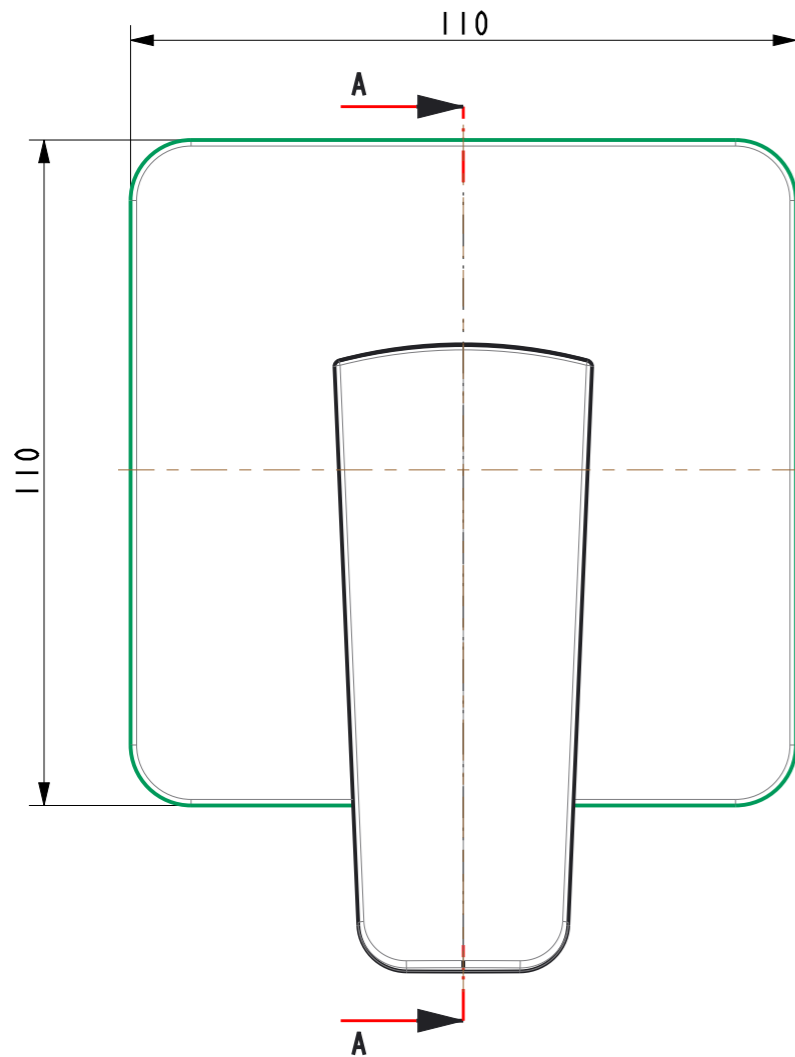
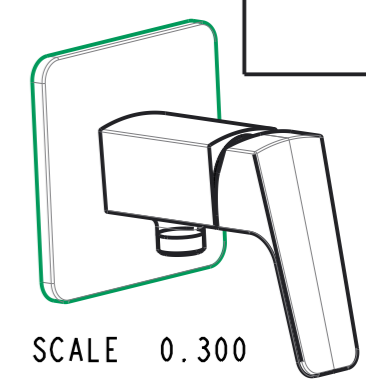


Tolerance, Unless Otherwise Stated, Is			
Above	0.5 to and including	6	±0.1
Excess	6 to and including	30	±0.2
Excess	30 to and including	120	±0.3
Excess	120 to and including	315	±0.5
Excess	315 to and including	1000	±0.8
Excess	1000 to and including	2000	±1.2



SECTION A-A

NO.	Part No.	Description	QTY	Material	Remark
1	FF1-CN521Z00000084	Index Button	1	ABS	
2	FF1-CN521N000000228	Screw M5*6	1	SUS304	
3	FF1-CN521L000000117	Handle	1	Zinc	Cr
4	FF1-CN521F000000241	Cap	1	ABS	Cr
5	FF1-CN521N000000091	Lock Nut	1	HPb59-1	
6	FF1-CN521C000001399	Cartridge	1	Assembly	
7	FFZZ0426-70150BDPL	Body	1	GkMs60Fk	Cr
8	FF1-CN521G000000203	Washer	1	PVC	
9	FF1-CN521F000000127	Escutcheon	1	H65	Cr
10	FF1-CN521G000000202	Washer	1	PA66	
11	FF1-CN521G000000033	Washer 38*25*2.5	1	NBR	

DESIGNED			TITLE	
CHECKED			REF	
APPROVED			Concept Square Exposed Shower Mono	
SCALE	MATERIAL	WEIGHT	DWG NO.	
4:5	Assembly		FFAS0426-701500BF0	



REV	DESCRIPTION	DATE	NAME