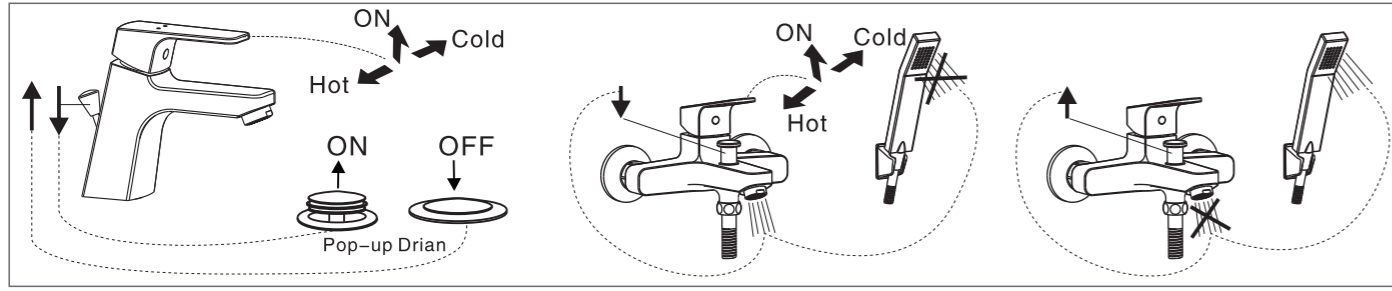


Test / Usage

1 Test

- * Move handle down into "OFF" position. Turn on supply angle valve to check all connections for leak.
- * Operate handle up and down, left and right to flush water lines thoroughly.

2 Usage

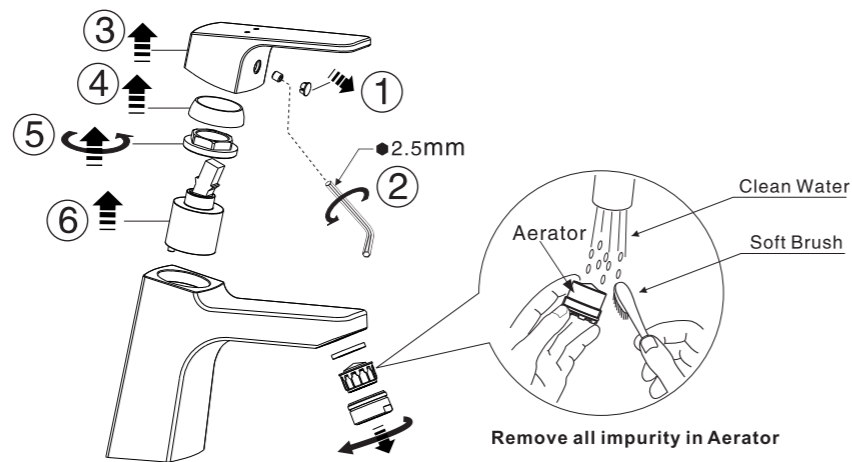


Trouble Shooting Guide

Trouble	Checkpoint	Contents	Action
Poor flow rate	Regulator	Check any impurities.	Remove all impurities.
	Water supply valve	Check valve position.	Open it to full valve
	Flexible hose	Check if hose is twisted.	Untwist the hose.
Leakage	Cartridge packing	Check cartridge install.	When packing is damaged, replace the cartridge.
	Hose junction	Check the connection.	Check the existence of packing and wind it up sufficiently
Deviant Temperature	Water supply valve	Check if the water from supply valve is enough or not	Increase water supply
	Supply system	Check if the supply pipe connected correct or not	Connect the hot and cold water pipe correctly

Care & Maintenance

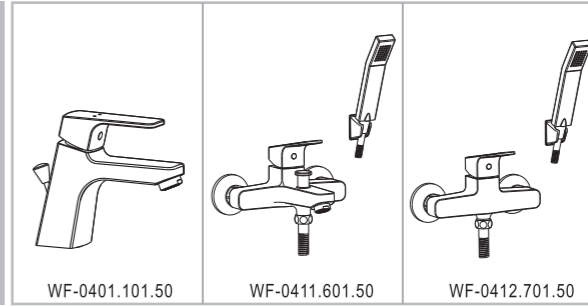
* If you want to change the parts or clean the inner of faucet, please follow the steps in the above to remove the parts, then proceed the next steps.



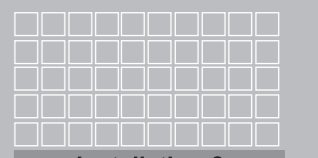
Attention:
Please leave the manual with the customer after installation is finished.

CONCEPT SQUARE

FFAS0401-101500BF0 (WF-0401.101.50)
Concept Square Basin Mixer
FFAS0411-601500BF0 (WF-0411.601.50)
Concept Square Exposed B&S Mixer
FFAS0412-701500BF0 (WF-0412.701.50)
Concept Square Exposed Shower Mixer



American Standard



Installation & Operation Instructions

Thank you for selecting American-Standard - the benchmark of fine quality for over 100 years. To ensure that your installation proceeds smoothly--please read these instructions carefully before you begin.

* American Standard always keep raising and improving the product design and performance, and reserve the right to modify the dimension and specification. At this case, we will not inform you separately.

* This installation instruction sheet is for your reference only, the dimension and specification is subject to the actual products.

All instruction procedures must comply in strict accordance with applicable local plumbing and building codes

Pre-Installation Checks

*Remove all impurity in pipes before beginning to avoid clogging. Connect faucet pipes correctly. Make sure the cold water hose is connected to the right side and the hot water hose to the left.

* Check installation distances in the Dimension diagram to ensure correct installation.

Conditions for use

* Recommended water pressure condition: 0.1~0.5Mpa.

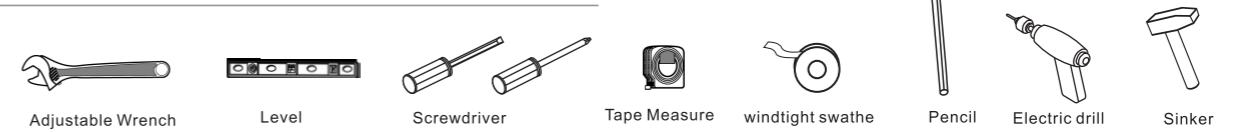
* Environment Temperature:1~55°C

* Steam is not allowed to use.

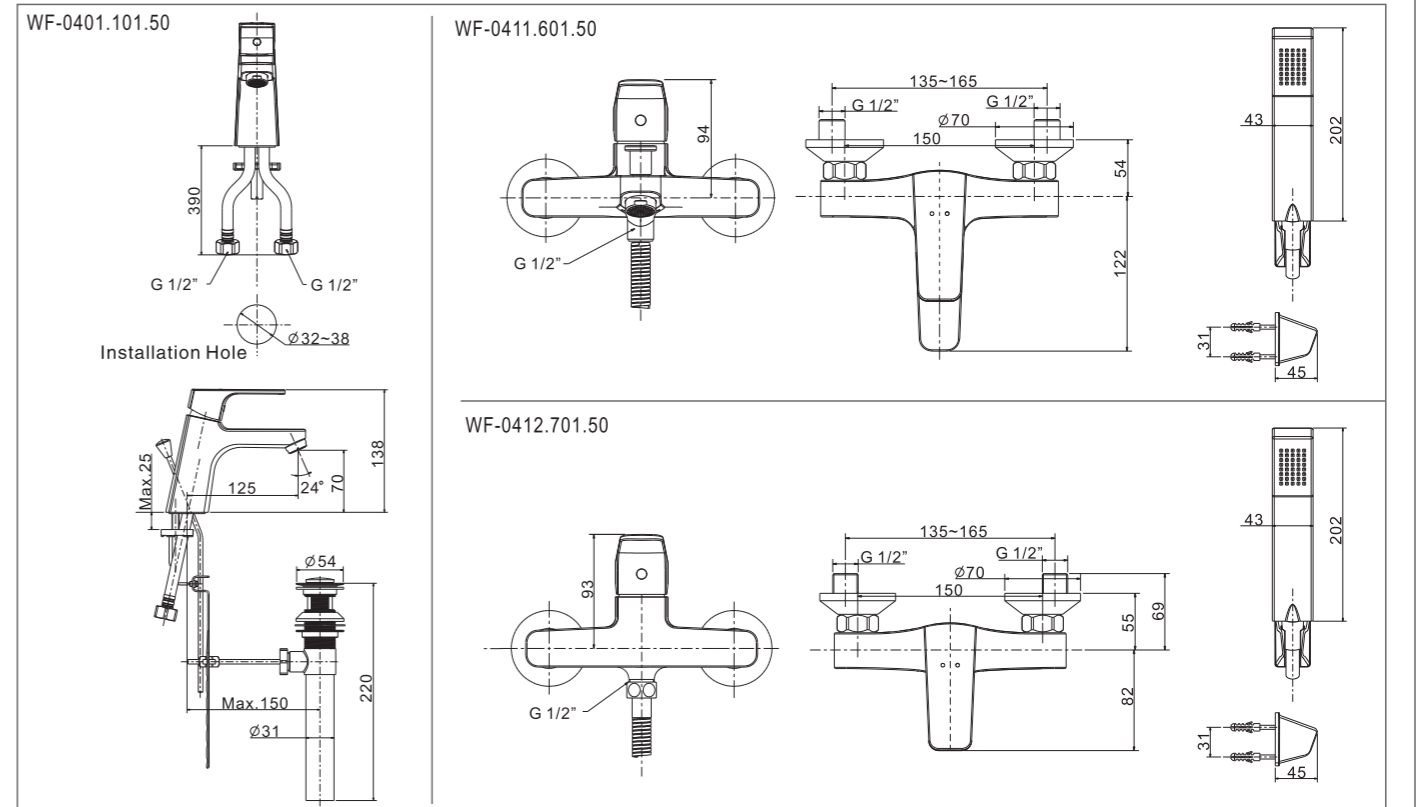
* The cold and hot water pipes must not be reserved.

When in the process of installation, grab the whole body. Do not grab handle only.

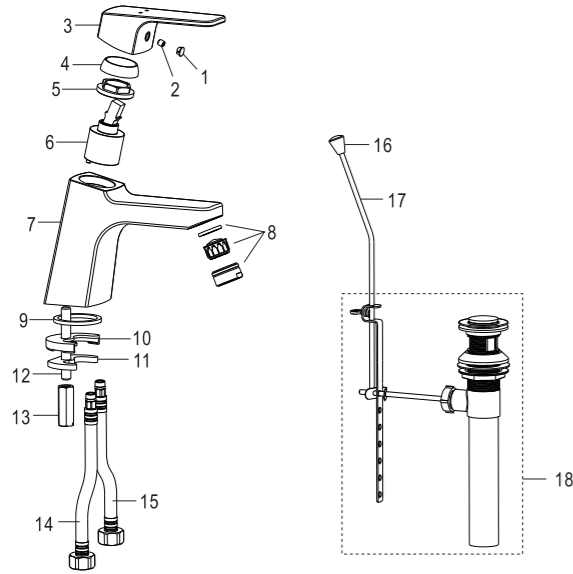
Recommended Tools and Materials



Dimension



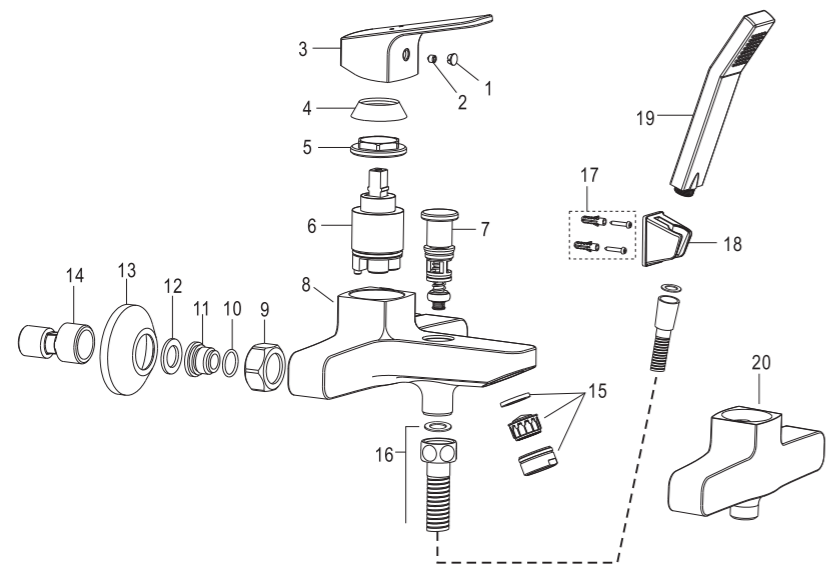
Parts List



WF-0401.101.50

Parts List

No.	Part Name	Q'ty
1	Index Button	1
2	Screw	1
3	Handle	1
4	Cap	1
5	Nut	1
6	Cartridge	1
7	Body	1
8	Aerator	1
9	Washer	1
10	Washer	1
11	Washer	1
12	Shank	1
13	Nut	1
14	Hose(Red)	1
15	Hose(Blue)	1
16	Lift Knob	1
17	Lift ROD	1
18	Pop-up Drain	1



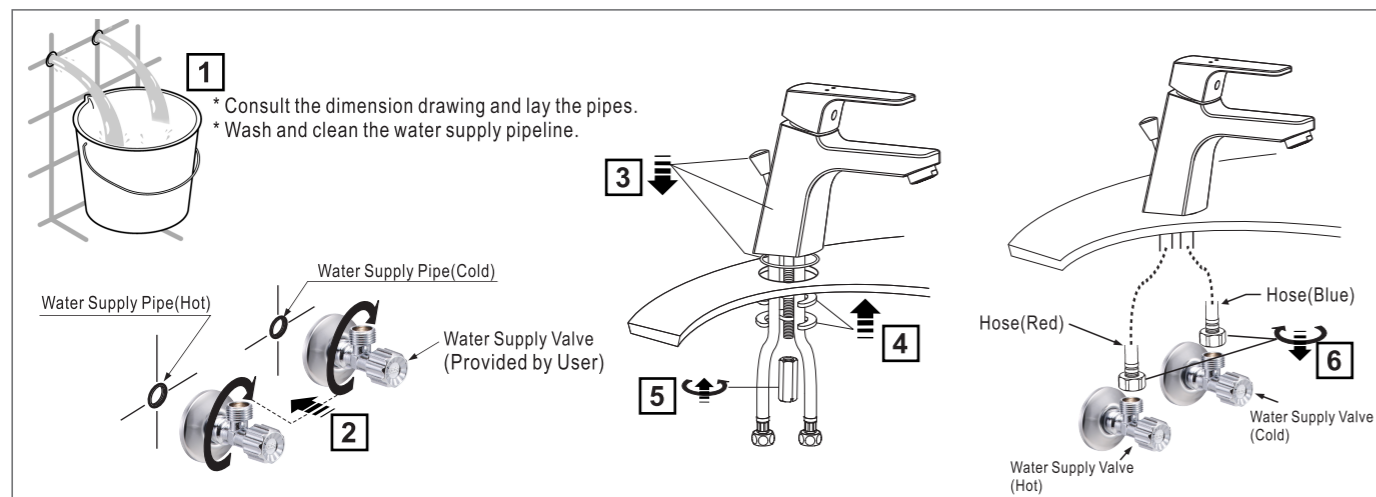
WF-0411.601.50 WF-0412.701.50

Parts List

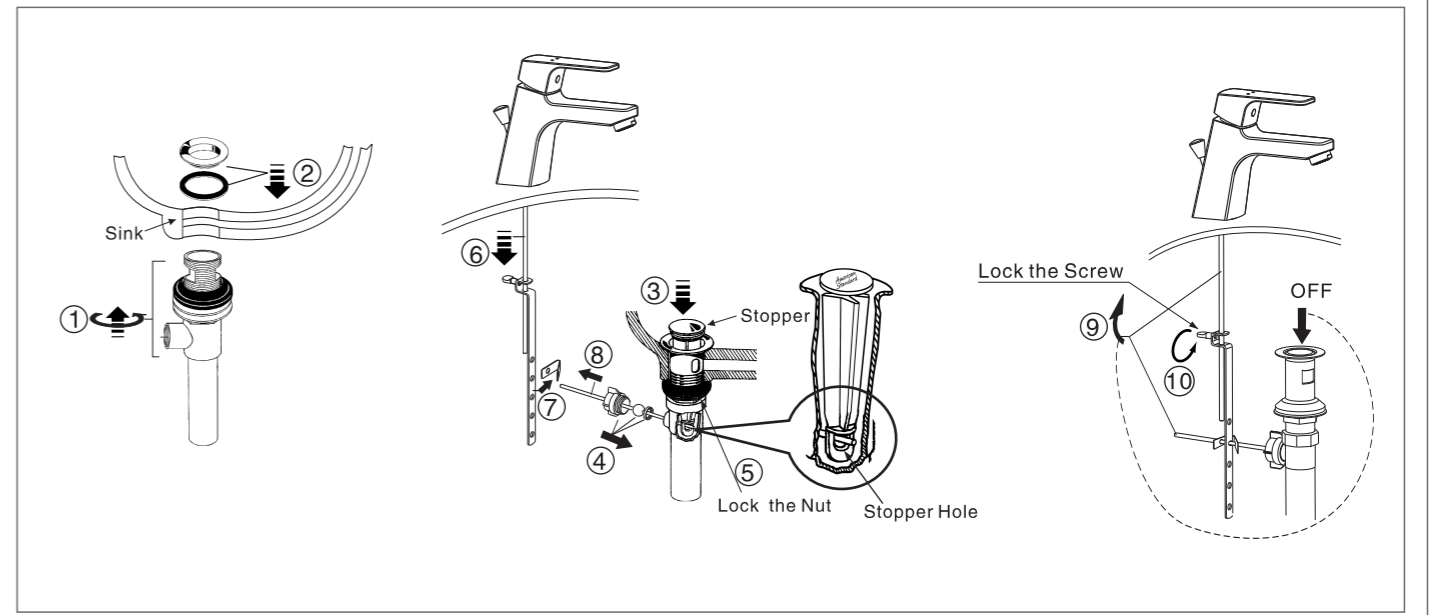
No.	Part Name	Q'ty
1	Index Button	1
2	Screw	1
3	Handle	1
4	Cap	1
5	Nut	1
6	Cartridge	1
7	Diverter Valve	1
8	Body	1
9	Nut	2
10	O-Ring	2
11	Screw	2
12	Washer	2
13	Escutcheon	2
14	S-Connector	2
15	Aerator	1
16	Hose	1
17	Screw	1
18	Shower Hanger	1
19	Shower	1
20	Body	0

Installation-1 (WF-0401.101.50)

1 Installing the Faucet

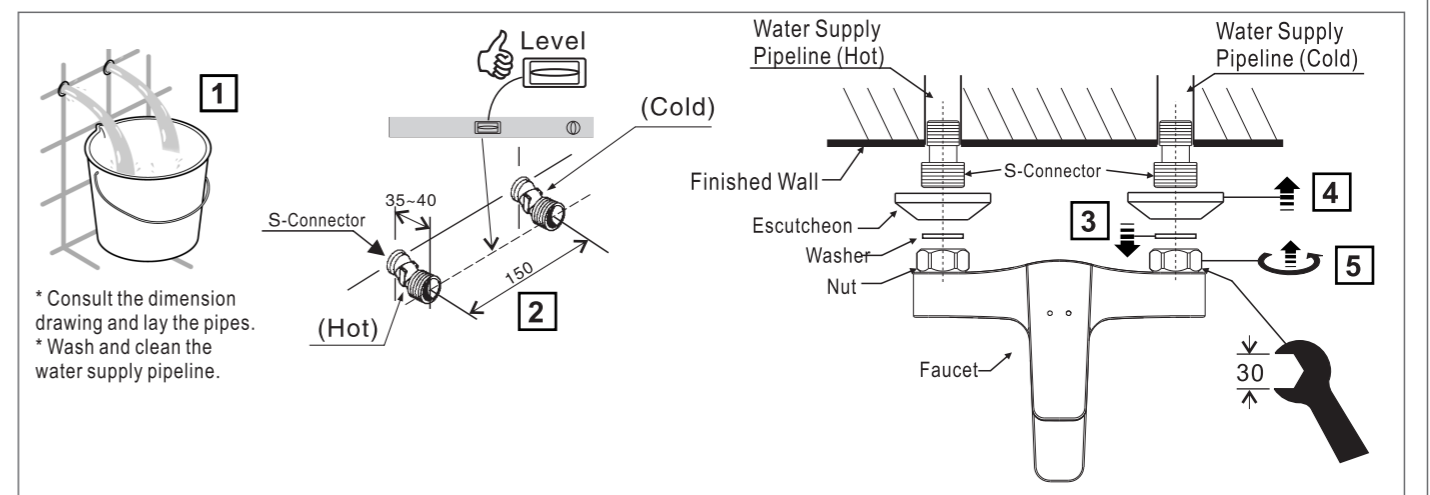


2 Installing the Pop-up Drain



Installation-2 (WF-0411.601.50 / WF-0412.701.50)

1 Installing the Faucet



2 Installing the Shower Hanger & Hose

