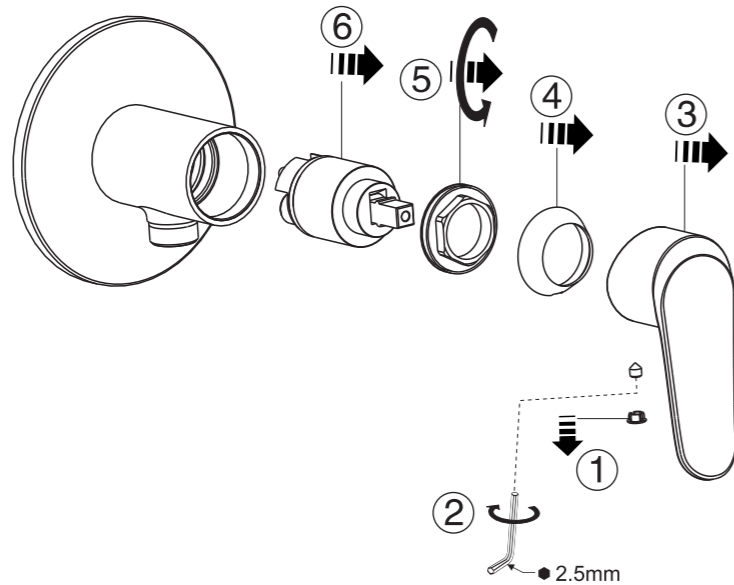


Trouble Shooting Guide

Trouble	Checkpoint	Contents	Action
Poor flow rate	Aerator and shower	Check any impurities.	Remove all impurities.
	Water supply valve	Check water supply valve open position.	Open water supply valve to increase flowrate
Leakage	Cartridge	Check cartridge packing.	When packing is damaged, replace the cartridge.
Deviant Temperature	Water supply valve	Check water supply valve open position.	Open water supply valve to increase flowrate
	Water supply system	Check if the supply pipe connected correct or not	Connect the hot and cold water pipe correctly

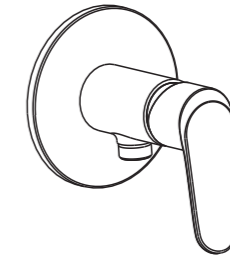
Care & Maintenance

- * If you want to do the maintenance for the faucet, please follow the below process.
- * Before maintenance, please shut off the water supply system.

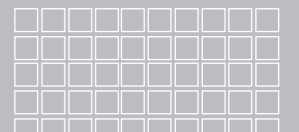


Attention:
Please Leave the manual with the customer after installation is finished.

FFAS0726-701500BF0 (WF-0726.701.50)
Neo Modern Exposed Mono Shower Only Faucet



American Standard



Installation &
Operation Instructions

Thank you for selecting American-Standard - the benchmark of fine quality for over 100 years.
To ensure that your installation proceeds smoothly--please read these instructions carefully before you begin.

- * American Standard always keep raising and improving the product design and performance, and reserve the right to modify the dimension and specification. At this case, we will not inform you separately.
- * This installation instruction sheet is for your reference only, the dimension and specification is subject to the actual products.
- All instruction procedures must comply in strict accordance with applicable local plumbing and building codes

Pre-Installation Checks

- * **Remove all impurity in pipes before beginning to avoid clogging. Connect faucet pipes correctly.**
- * **Check installation distances in the Dimension diagram to ensure correct installation.**

Conditions for use

- * **Recommended water pressure condition: 0.1~0.5Mpa.**
- * **Environment Temperature:1~55°C**
- * **Steam is not allowed to use.**

When in the process of installation, grab the whole body. Do not grab handle only.

Recommended Tools and Materials



Adjustable Wrench



Level



Screwdriver



Tape Measure



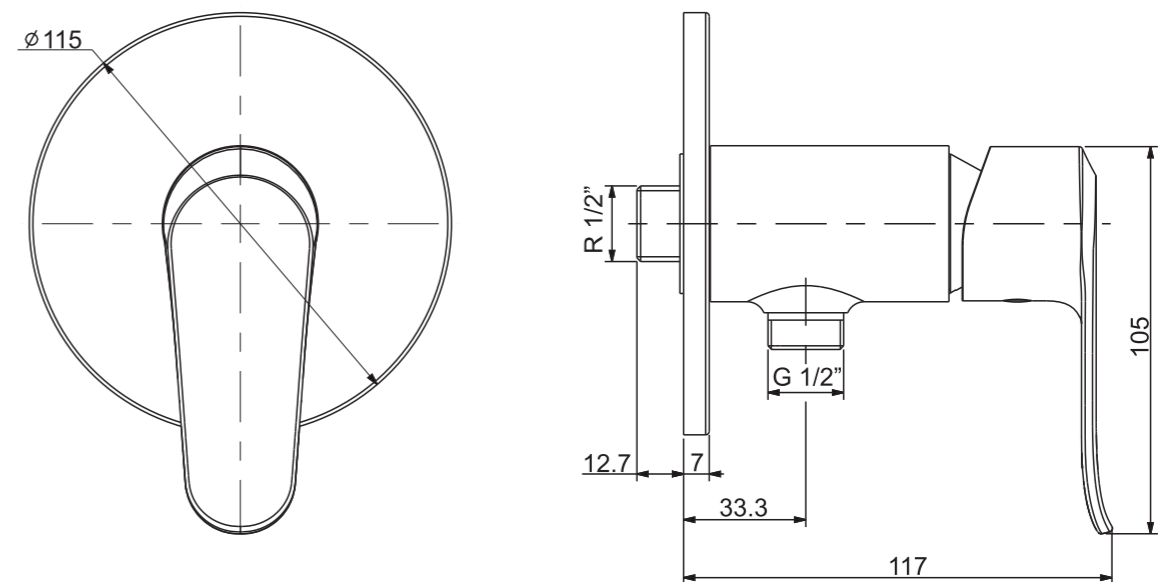
windtight swathe



Pencil

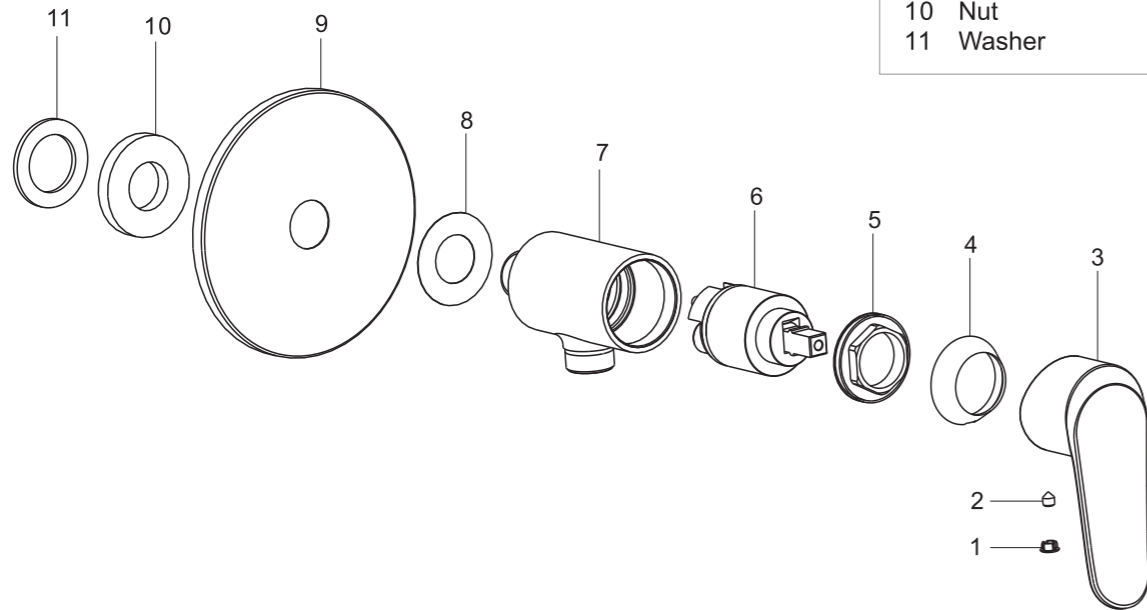
Dimension

Unit: mm

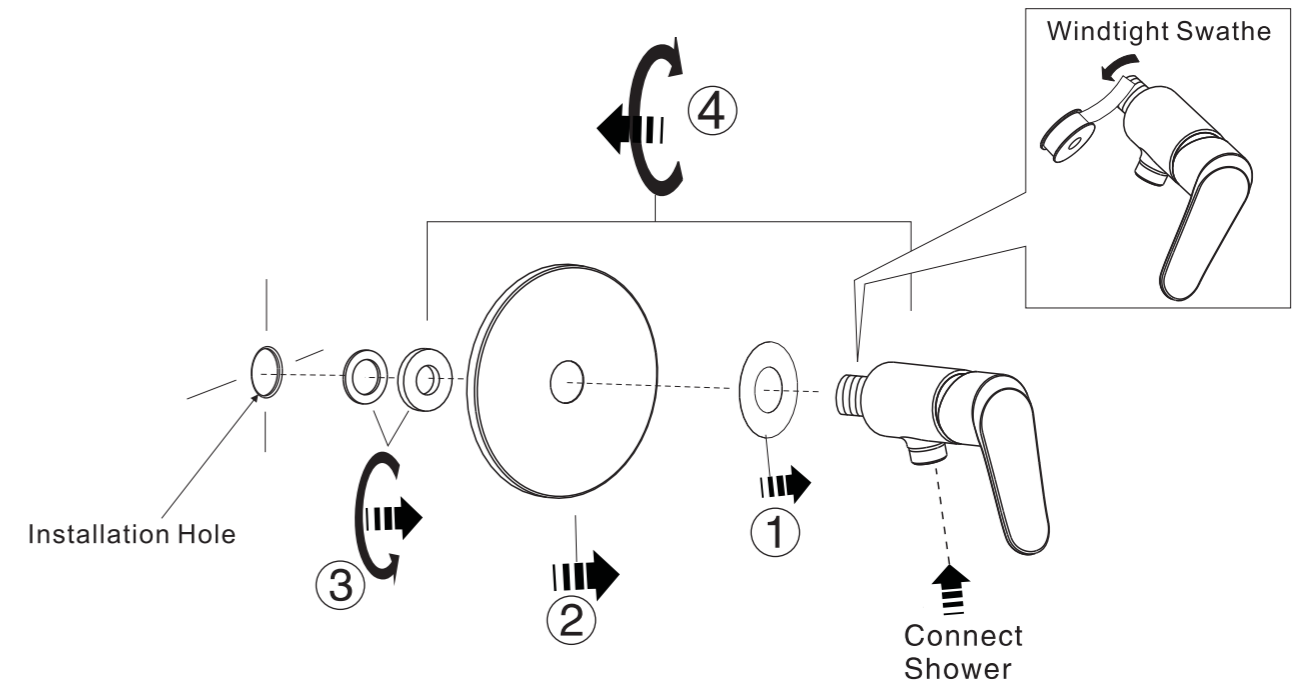


Parts List

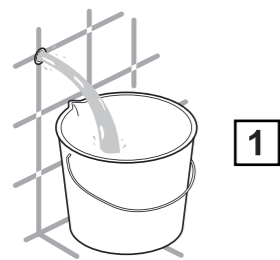
Parts List		
No.	Part Name	Q'ty
1	Index Button	1
2	Screw	1
3	Handle	1
4	Cap	1
5	Nut	1
6	Cartridge	1
7	Body	1
8	Washer	1
9	Escutcheon	1
10	Nut	1
11	Washer	1



Installation



Preparation



- * Consult the dimension drawing and lay the pipes.
- * Wash and clean the water supply pipeline.

Test / Usage

1 Test

- * Turn handle to "OFF" position. Open supply angle valve to check all connections for leakage;
- * Turn handle to "ON" position. Check the water flow .

2 Usage

