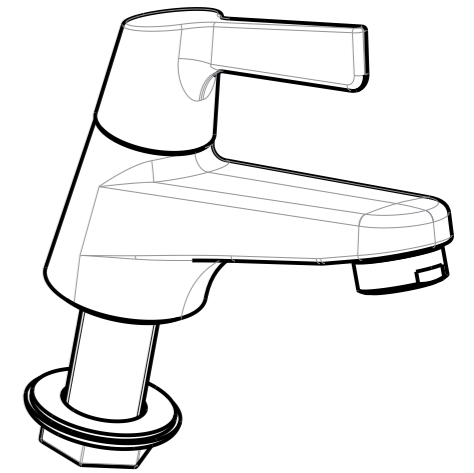
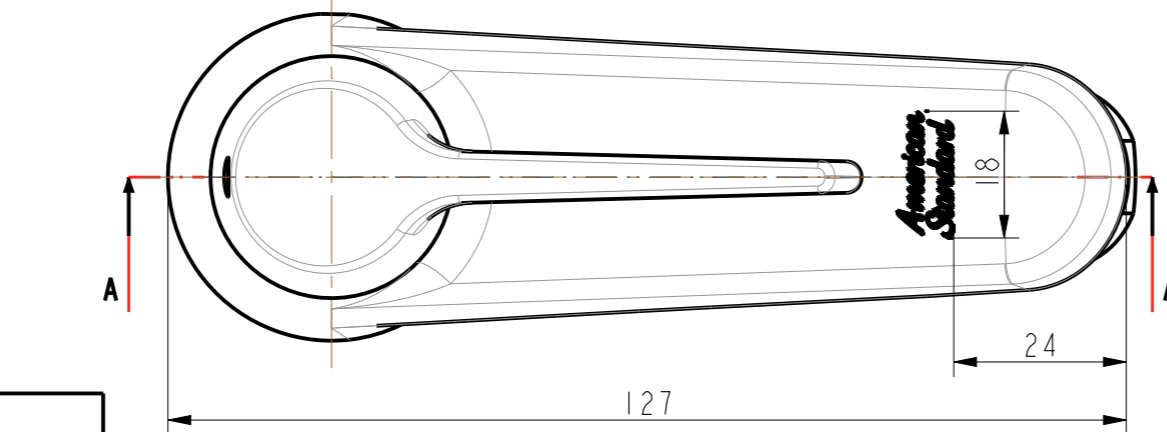
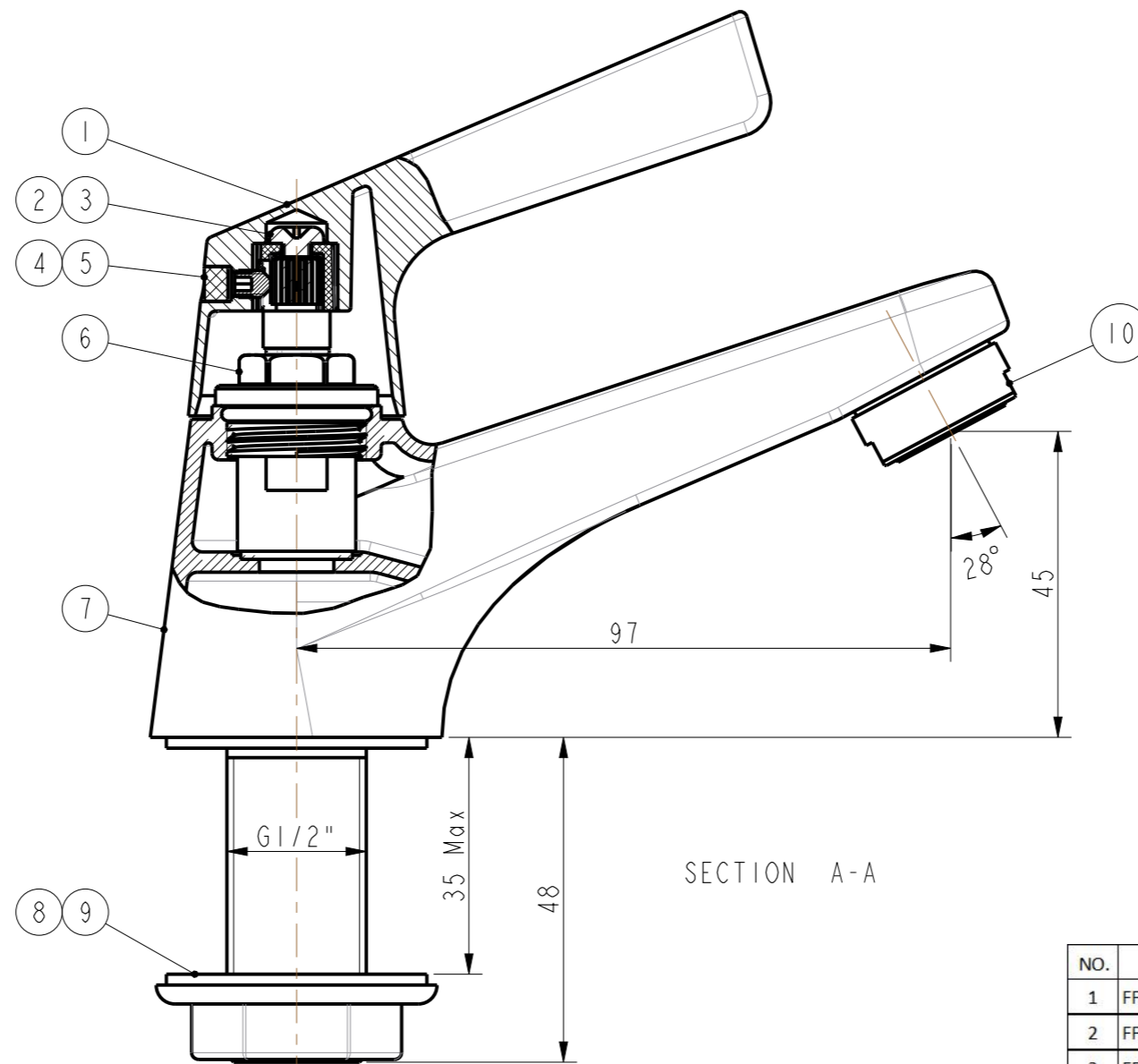
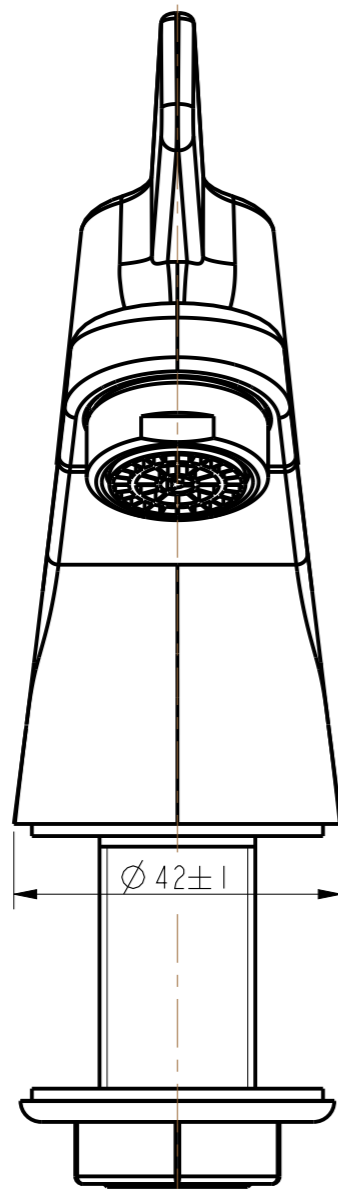


Tolerance, Unless Otherwise Stated, Is			
Above	0.5 to and including	6	±0.1
Excess	6 to and including	30	±0.2
Excess	30 to and including	120	±0.3
Excess	120 to and including	315	±0.5
Excess	315 to and including	1000	±0.8
Excess	1000 to and including	2000	±1.2



SCALE 0.500

NO.	Part Code	Description	Material	QTY	Remark
1	FF1-CN521L0003250X	Lever Handle	ZZnA14-1	1	Cr
2	FF1-CN521N00000169	Screw M4*9	SUS304	1	
3	FF1-CN521Z0005599P	Plastic Connector (20 Teech-40 Teech)	POM	1	
4	FF1-CN521N00000128	Screw M4*6	SUS304	1	
5	FF1-CN521Z00000319	Index Button	NBR	1	
6	FF1-CN521C0001799B	1/2 90° CD Valve (20 Teech)	Assembly	1	
7	FFZZ0021-0016750PL	Body	GkMs60Fk	1	Cr
8	FF1-CN521G00000074	Washer 38.5* 22.5*1.6	NBR	2	
9	FF1-CN521N00002399	Lock Nut	ABS	1	
10	FF1-CN521A0001450B	Insert + House	Assembly	1	Cr
	FF1-CN521G00000023	Washer 20.9*14.5*3	NBR	1	

DESIGNED			TITLE
CHECKED			REF
APPROVED			Winston Pillar Tap (Lever Handle)
SCALE	MATERIAL	WEIGHT	DWG NO.
1:1	Assembly		FFAST601-101500BF0



REV	DESCRIPTION	DATE	NAME