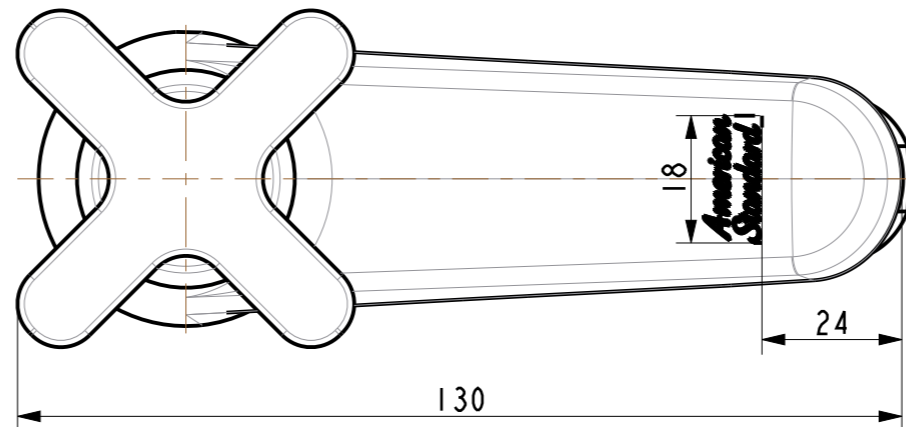
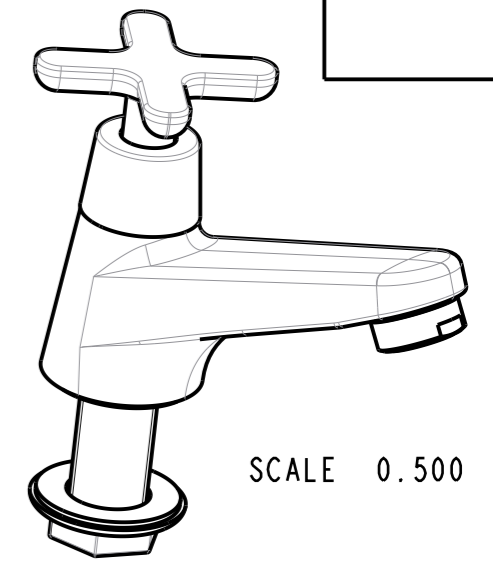
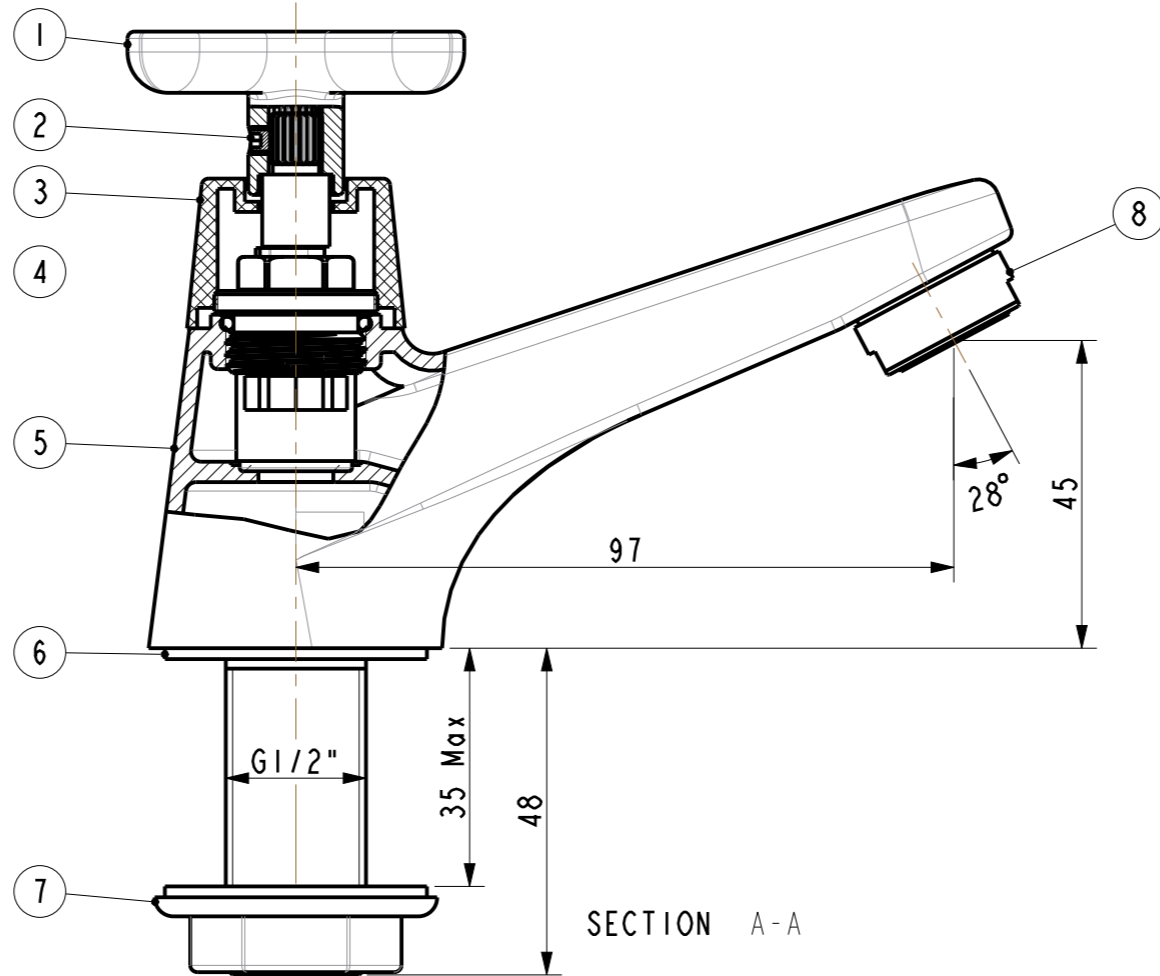
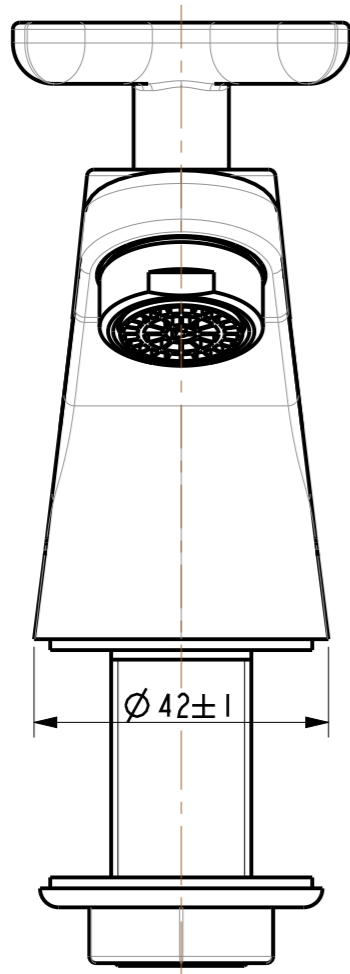


Tolerance, Unless Otherwise Stated, Is			
Above	0.5 to and including	6	±0.1
Excess	6 to and including	30	±0.2
Excess	30 to and including	120	±0.3
Excess	120 to and including	315	±0.5
Excess	315 to and including	1000	±0.8
Excess	1000 to and including	2000	±1.2



8	FF1-CN521G00000023	Washer 20.9*14.5*3	1	NBR	
	FF1-CN521A0001450B	Insert+House	1	HPb59-1+POM	Cr
7	FF1-CN521N00002399	Nut	1	ABS	
6	FF1-CN521G00000074	Washer 38.5*22.5*1.6	2	NBR	
5	FFZZ0021-0016750PL	Body	1	GkMs60Fk	Cr
4	FF1-CN521C0001899B	1/2 CD Cartridge	1	Assembly	
3	FF1-CN521J0009750P	Cover	1	ABS	Cr
2	FF1-CN521N00000141	Screw M4*3	1	SUS304	
1	FF1-CN521L0003350X	Cross Handle	1	ZZnA14-1	Cr
NO.	Part No.	Description	QTY	Material	Remark

DESIGNED			TITLE	
CHECKED			REF	
APPROVED			Winston Pillar Tap (Cross Handle)	
SCALE	MATERIAL	WEIGHT	DWG NO.	
9:10	Assembly		FFAST701-101500BF0	

American Standard

REV	DESCRIPTION	DATE	NAME