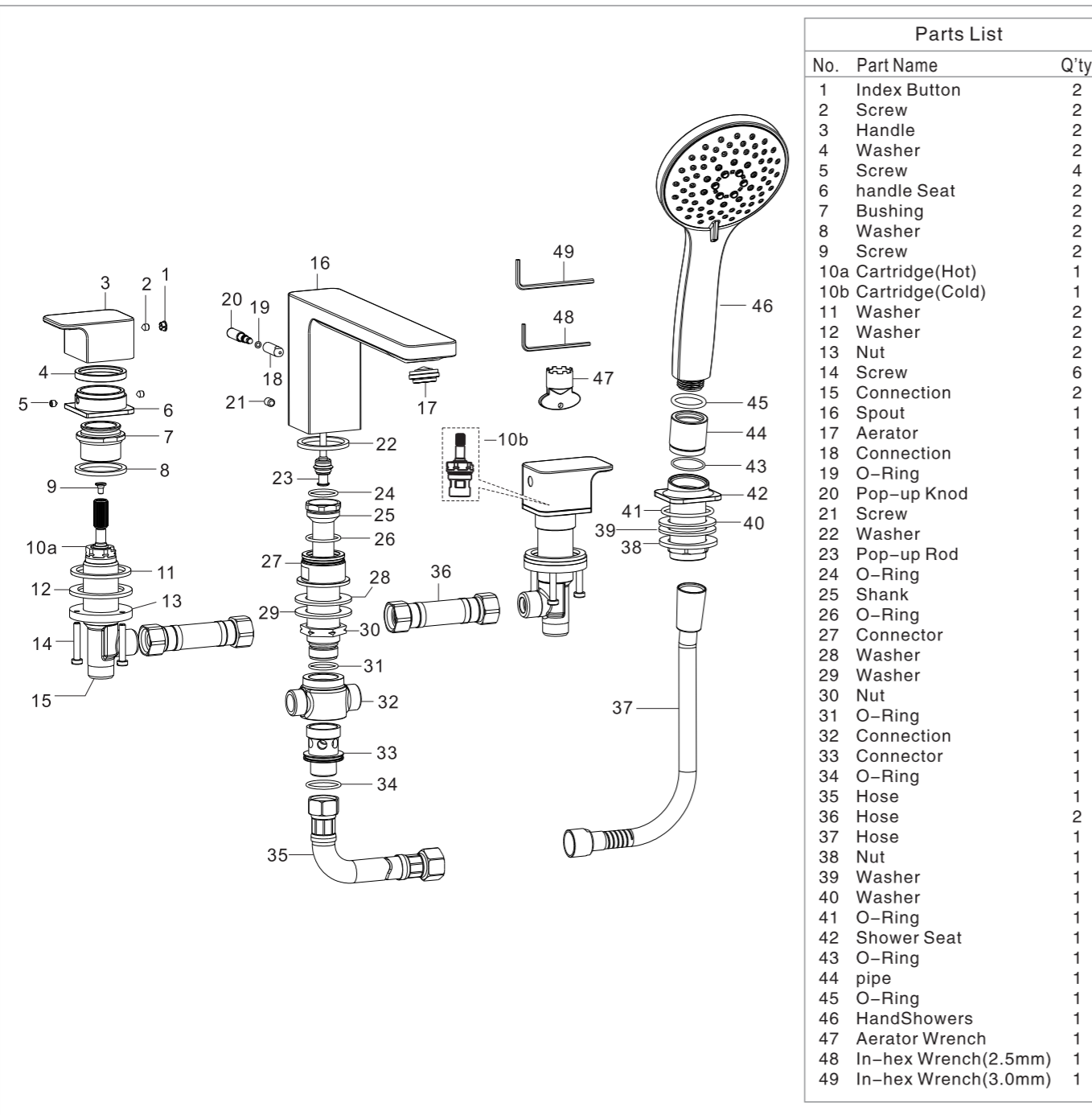


Parts List



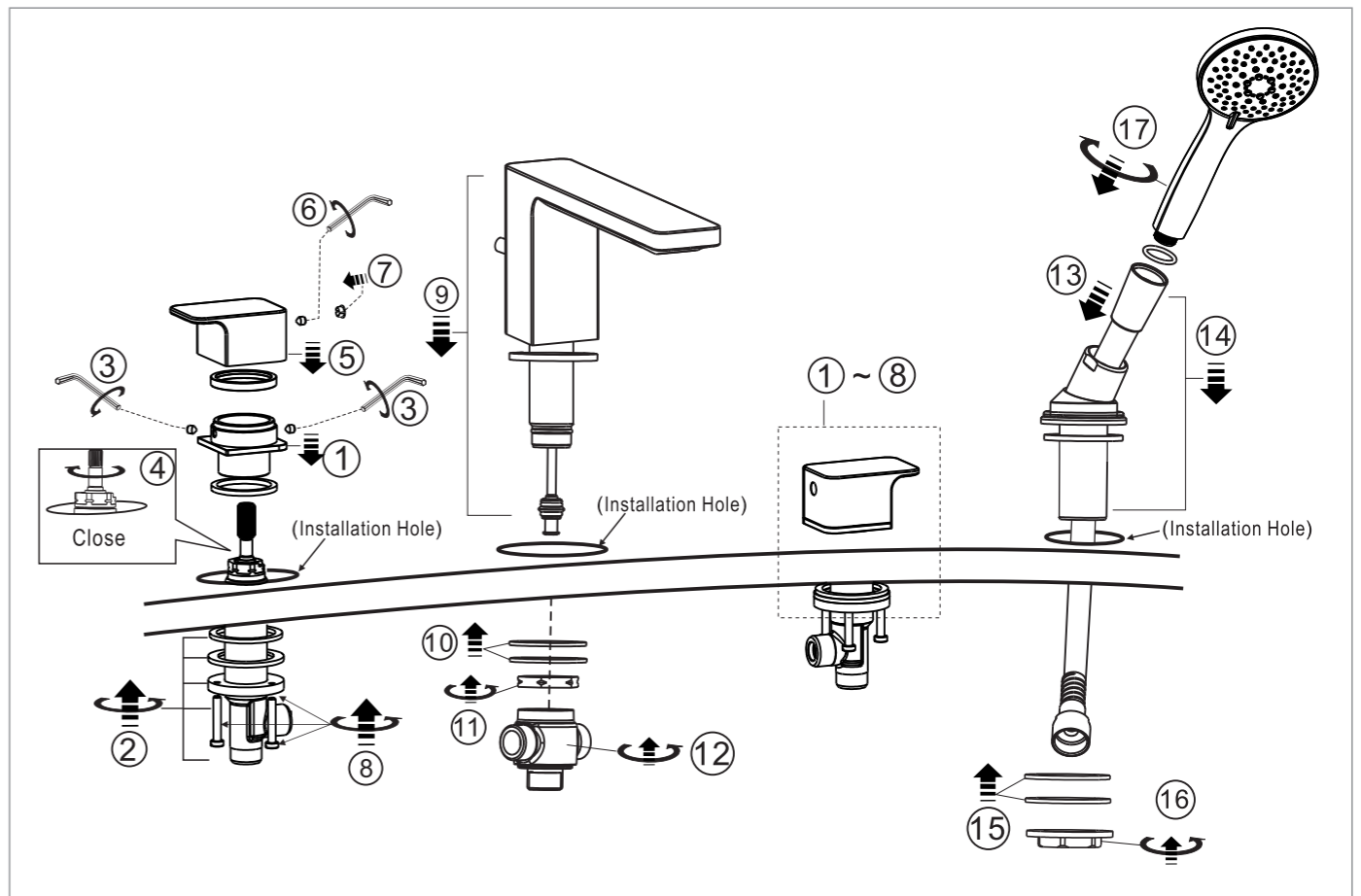
Installation

1 Preparation

- * Consult the dimension drawing and lay the pipes.
- * Wash and clean the water supply pipeline.



2 Handle & Spout & Shower Seat & Hand Showers Installation



3 Connecting the Pipeline

