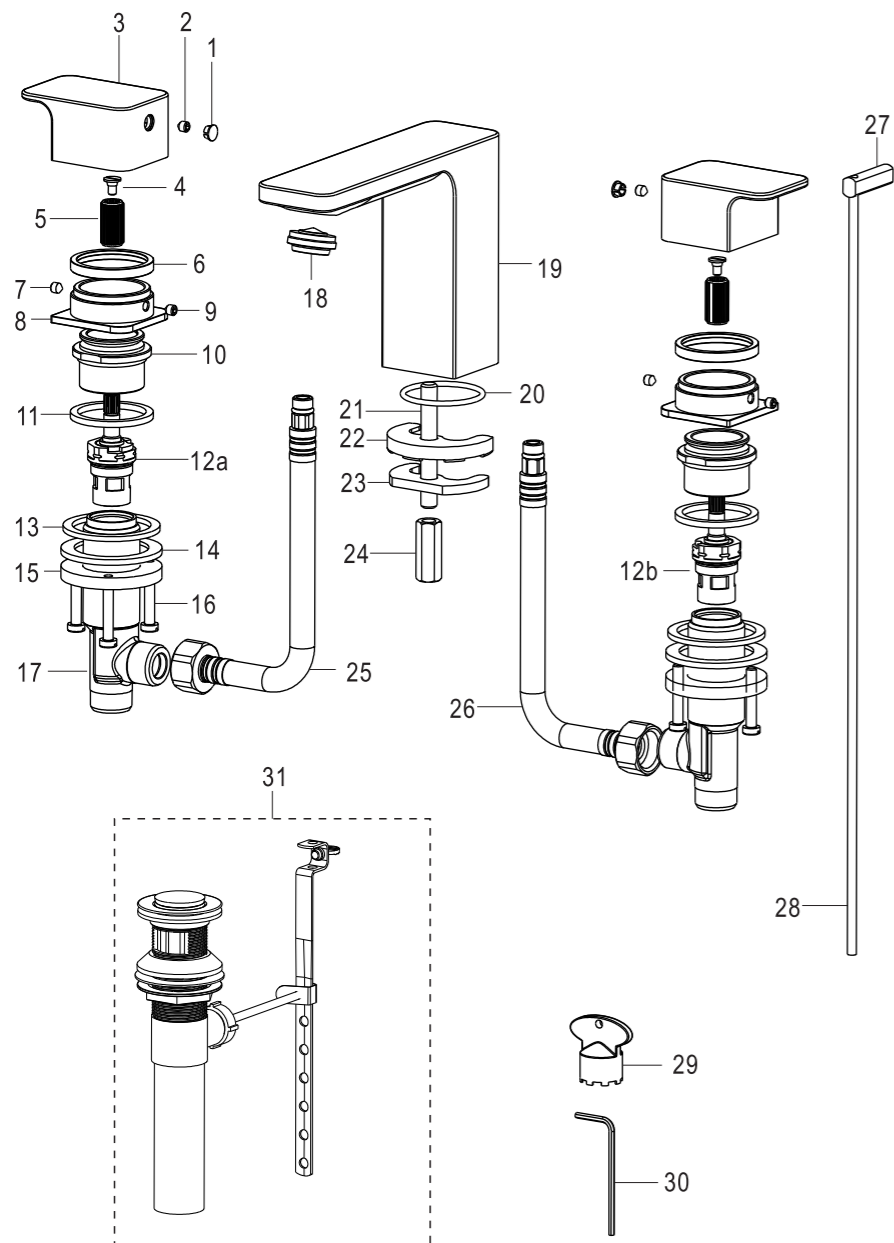




## Parts List

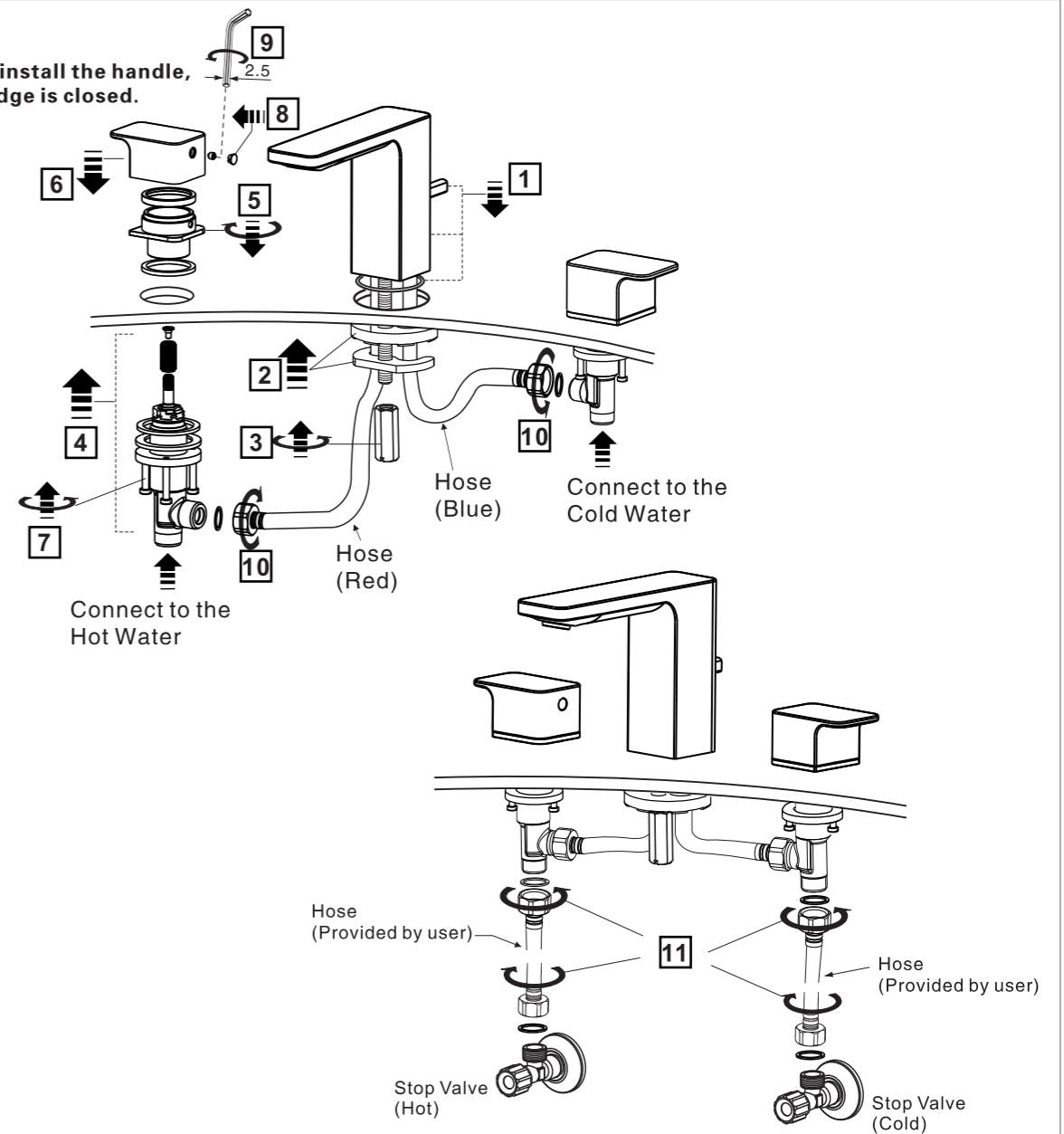


## Parts List

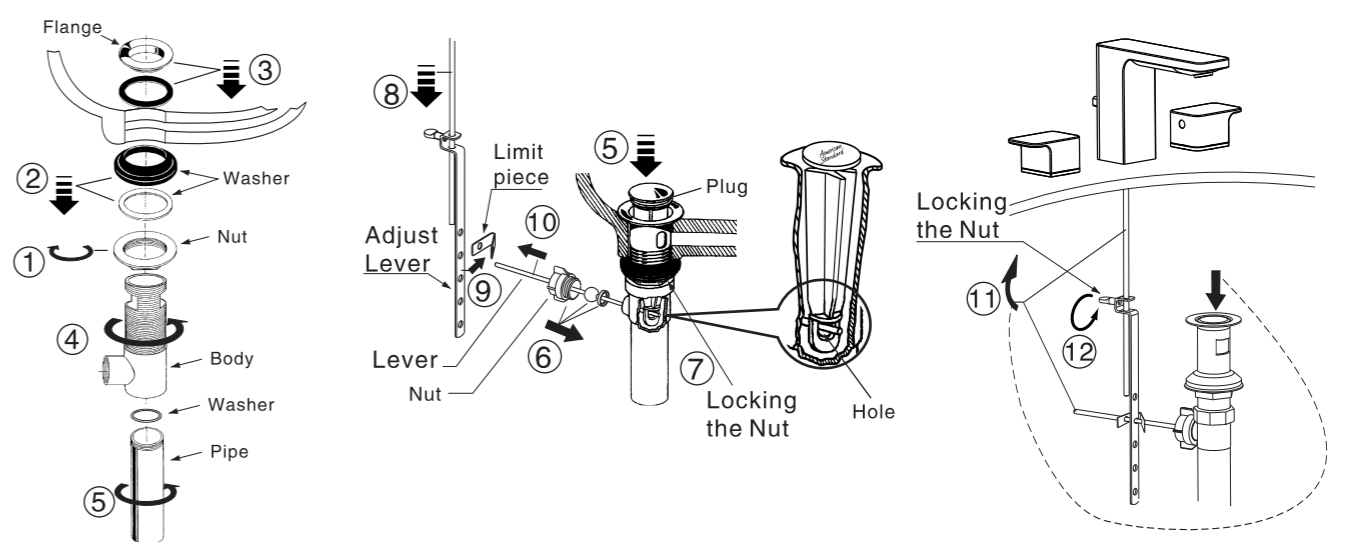
No.	Part Name	Q'ty
1	Index Button	2
2	Screw	2
3	Handle	2
4	Screw	2
5	Bushing	2
6	Washer	2
7	Screw	2
8	Seat	2
9	Screw	2
10	Copper Bush	2
11	Washer	2
12a	Cartridge(hot)	1
12b	Cartridge(cold)	1
13	Washer	2
14	Washer	2
15	Nut	2
16	Screw	6
17	Body	1
18	Aerator	1
19	Spout	1
20	O-Ring	1
21	Screw Bolt	1
22	Washer	1
23	Washer	1
24	Nut	1
25	Hose(Red)	1
26	Hose(Blue)	1
27	Knob	1
28	Pop-up Rod	1
29	Aerator Wrench	1
30	In-hex Wrench	1
31	Pop-up Drainer	1

## 2 Installing the Faucet

When you install the handle, the Cartridge is closed.



## 3 Installing the Pop-up Drainer



## Installation

### 1 Preparation

- \* Consult the dimension drawing and lay the pipes.
- \* Wash and clean the water supply pipeline.

