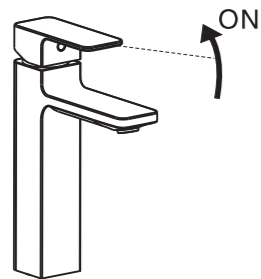


Test / Usage

1 Test

- * Turn handle to "OFF" position. Open Water supply valve to check all connections for leakage;
- * Turn handle to "ON" position. Check the water flow .

2 Usage

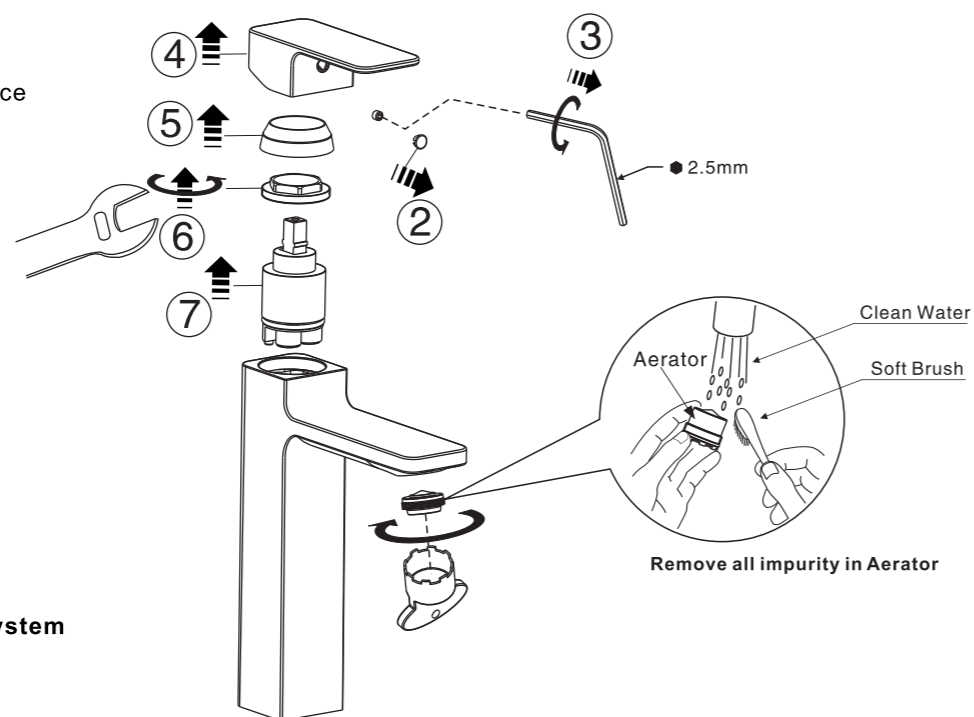


Trouble Shooting Guide

Trouble	Checkpoint	Contents	Action
Poor flow rate	Aerator	Check any impurities.	Remove all impurities.
	Water supply valve	Check water supply valve open position.	Open it to full water supply valve
	Flexible hose	Check if flexible hose is twisted.	Untwist the flexible hose.
Leakage	Cartridge	Check cartridge packing.	When packing is damaged, replace the cartridge.
	Flexible hose connection	Check if the packing is loosened. Check if the connection become loosen	Check the existence of packing and fix it again

Care & Maintenance

* If you want to do the maintenance for the faucet, please follow the below process.



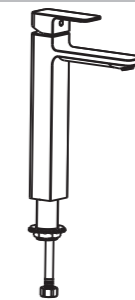
1
1. Close the Water Supply System



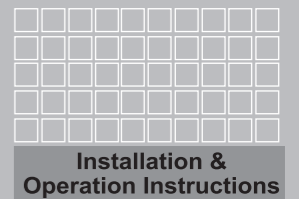
Attention:
Please Leave the manual with the customer after installation is finished.

Acacia-Evolution

FFAS1308-1T1500BT0 (WF-1308.1T1.50)
Acacia-Evolution Vessel Mono Faucet



American Standard



Thank you for selecting American-Standard - the benchmark of fine quality for over 100 years.
To ensure that your installation proceeds smoothly--please read these instructions carefully before you begin.

- * American Standard always keep raising and improving the product design and performance, and reserve the right to modify the dimension and specification. At this case, we will not inform you separately.
 - * This installation instruction sheet is for your reference only, the dimension and specification is subject to the actual products.
- All instruction procedures must comply in strict accordance with applicable local plumbing and building codes

Pre-Installation Checks

- * Remove all impurity in pipes before beginning to avoid clogging. Connect faucet pipes correctly.
- * Check installation the Dimension Drawing to ensure to install it correctly.

Conditions for use

- * Recommended water pressure: 0.1~0.5Mpa.
- * Environment Temperature: 1~55°C
- * Steam is not allowed.

During installation of the faucet, Please grab the body. Do not grab handle only.

Recommended Tools and Materials



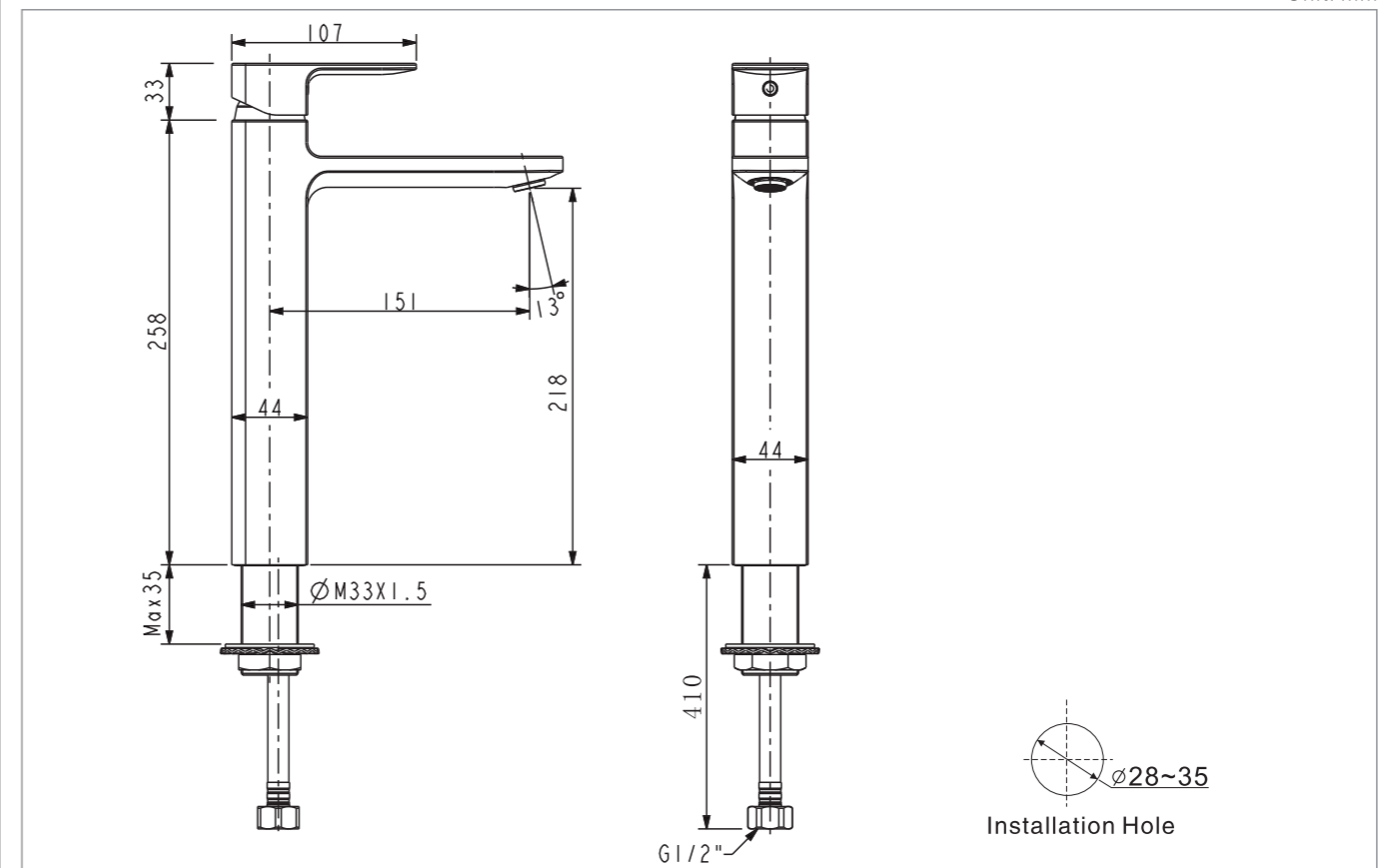
Adjustable Wrench



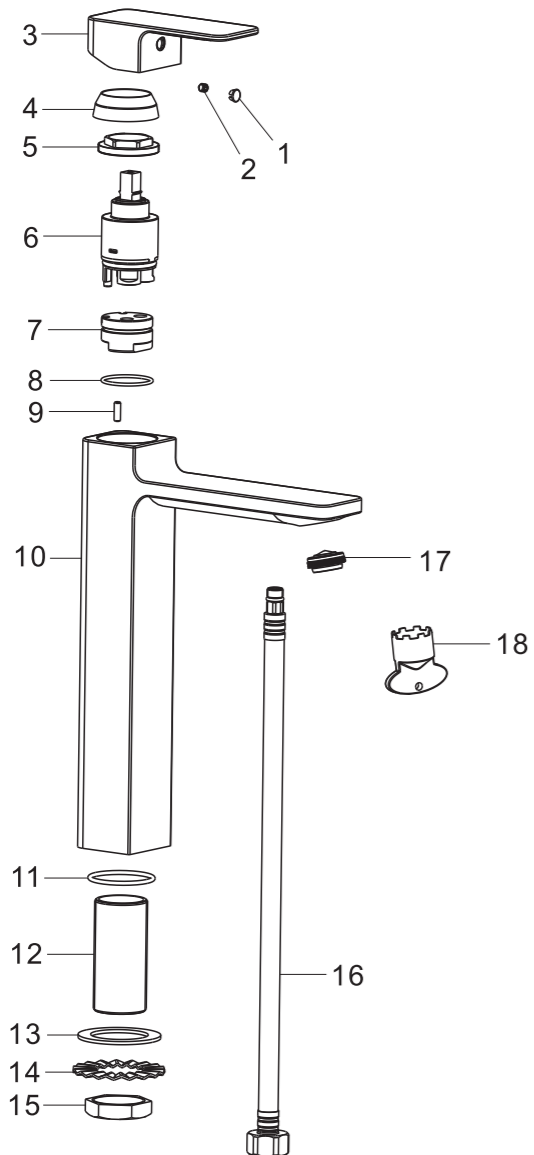
Tape Measure

Dimension

Unit: mm

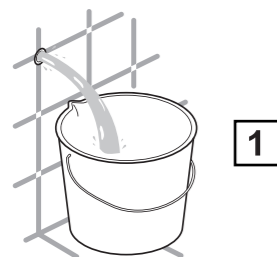


Parts List

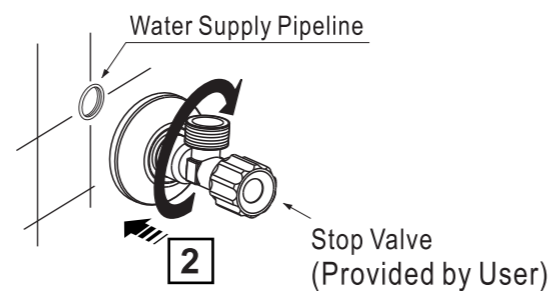


Parts List		
No.	Part Name	Q'ty
1	Index Button	1
2	Screw	1
3	Handle	1
4	Cap	1
5	Nut	1
6	Cartridge	1
7	Seat	1
8	O-Ring	1
9	Pin	1
10	Body	1
11	O-Ring	1
12	Shank	1
13	Washer	1
14	Washer	1
15	Nut	1
16	Hose	1
17	Aerator	1
18	Aerator Wrench	1

Preparation



- * Consult the dimension drawing and lay the pipes.
- * Wash and clean the water supply pipeline.



Installation

