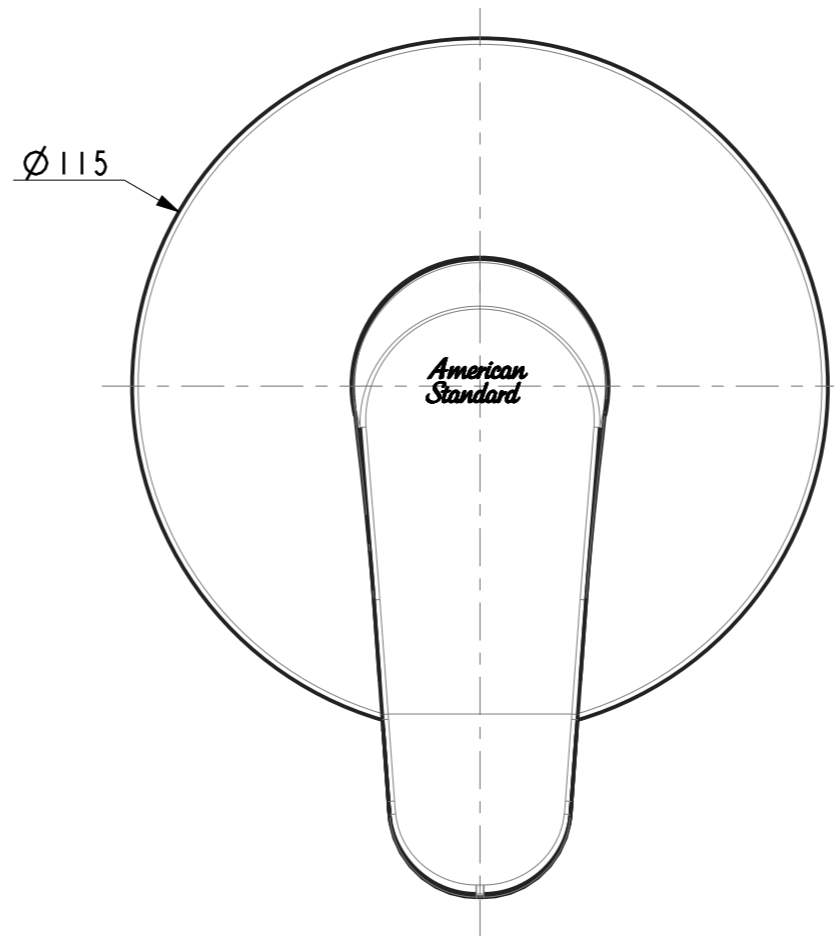
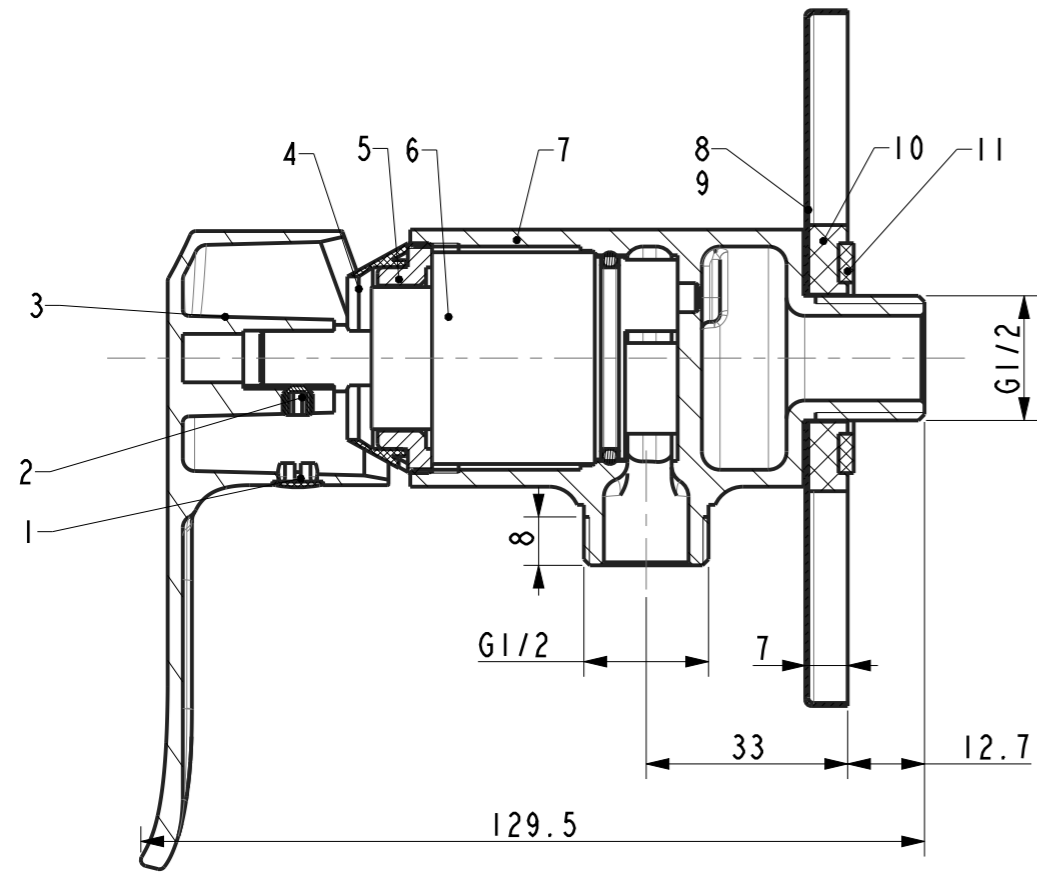


Tolerance, Unless Otherwise Stated, Is			
Above	0.5 to and including	6	±0.1
Excess	6 to and including	30	±0.2
Excess	30 to and including	120	±0.3
Excess	120 to and including	315	±0.5
Excess	315 to and including	1000	±0.8
Excess	1000 to and including	2000	±1.2



Technical requirements:

1. Cartridge tightening torque is 8 ~ 10 N.M, and the other torque is implemented according to the "WI09.1520 assembly torque specification".
2. The finished product should meet GB18145 and W110.0504 final inspection standard.

1	FF1-CN521G00000033	Washer ?38* ?25*2.5	NBR	1	
2	FF1-CN521G00000202	Wahser	PA66	1	
4	FF1-CN521F00000163	Escutcheon	H62	1	
3	FF1-CN521G00000203	Washer	PVC	1	
5	FFZZ0726-70150BDPL	Body	GkMs60Fk	1	
6	FF1-CN521C00001399	Cartridge 35mm	Part	1	
7	FF1-CN521N00000091	Cartridge Nut	HPb59-1	1	
8	FF1-CN521F00000042	Cartridge Cover	ABS	1	
11	FF1-CN521L00000090	Handle	ZZnAL4-1	1	
10	FF1-CN521N00000228	Screw M5x6	SUS304	1	
9	FF1-CN521Z00000083	Handle Cover	ABS	1	
No.	Part Code	Description	Material	Qty	Remark

DESIGNED			TITLE
CHECKED			REF
APPROVED			Neo Modern Exposed Shower Mono
SCALE	MATERIAL	WEIGHT	DWG NO.
4:5	Assembly		FFAS0726-701500BF0

REV	DESCRIPTION	DATE	NAME

**American
Standard**