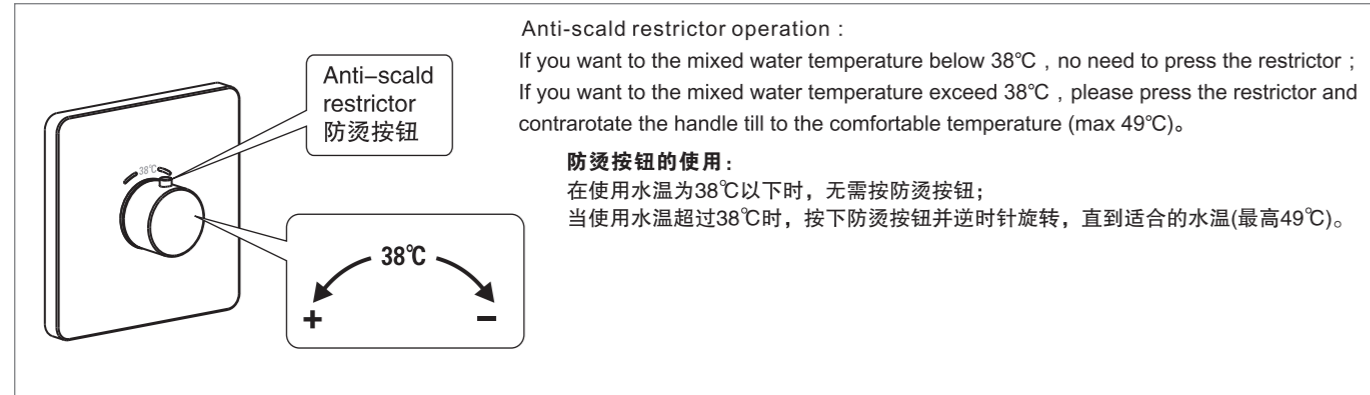


## Test / Usage 测试/使用

### 1 Test 测试

- \* Turn handle to "OFF" position. Open water supply valve to check all connections for leakage;
- \* Turn handle to "ON" position. Check the water flow.
- \* 将把手处在关的位置, 开启供水并检查各连接是否有渗漏;
- \* 打开把手, 检查出水是否正常。

### 2 Usage 使用



Anti-scald restrictor operation :

If you want the mixed water temperature below 38°C, no need to press the restrictor ;  
If you want the mixed water temperature exceed 38°C, please press the restrictor and contrarotate the handle till to the comfortable temperature (max 49°C).

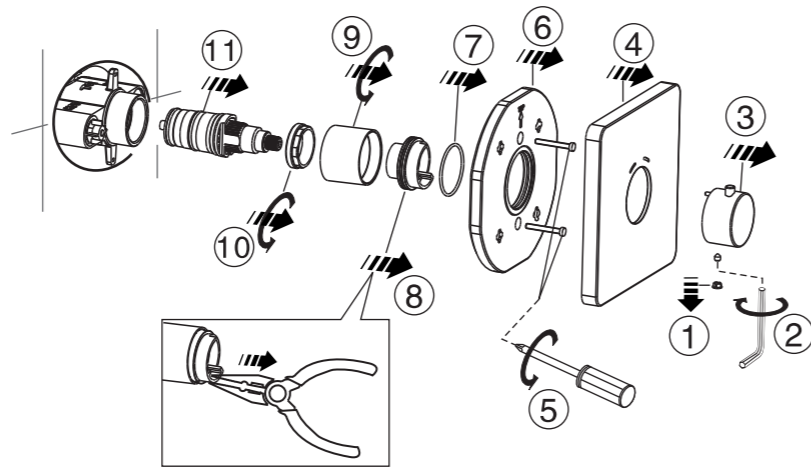
**防烫按钮的使用:**  
在使用水温为38°C以下时, 无需按防烫按钮;  
当使用水温超过38°C时, 按下防烫按钮并逆时针旋转, 直到适合的水温(最高49°C)。

## Trouble Shooting Guide 一般故障排除

Trouble 故障	Checkpoint 检查点	Contents 内容	Action 处理办法
Poor flow rate 流量小	Water supply valve 供水阀	Check valve position. 检查供水阀是否开得太大	Open it to full valve 开大供水阀
Leakage 漏水	Cartridge packing 阀芯	Check cartridge install. 检查阀芯是否被松开	When packing is damaged, replace the cartridge. 紧固好阀芯
Deviant Temperature 不正常水温	Supply Valve 供水阀	Check if the water from Supply valve is enough or not 检查供水阀是否开得太大	Increase water supply 开大供水阀
	Supply system 供水管路	Check if the supply pipe connected correct or not 检查进水管是否连接正确	Connect the hot and cold water pipe correctly 正确连接冷热供水管

## Care & Maintenance 维护与保养

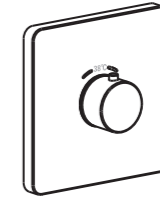
- \* If you want to do the maintenance for the faucet, please follow the below process.
- \* Before maintenance, please shut off the water supply system.
- \* 如果需要在水嘴进行保养, 请参考步骤进行。
- \* 维护前, 请先关闭供水系统。



**Attention:**  
Please Leave the manual to the customer after installation is finished.

**安装者注意:**  
安装完成后, 请将此说明书留给用户。

FFAS0930-000500BC0  
EasySET Conceal Thermostatic Mixer with Trim  
易舒喜入墙恒温控制阀



American Standard

Installation & Operation Instructions  
安装/使用说明书

Thank you for selecting American-Standard - the benchmark of fine quality for over 100 years.

To ensure that your installation proceeds smoothly--please read these instructions carefully before you begin.

- \* American Standard always keep raising and improving the product design and performance, and reserve the right to modify the dimension and specification. At this case, we will not inform you separately.
- \* This installation instruction sheet is for your reference only, the dimension and specification is subject to the actual products. 感谢您选购美标洁具—拥有百年优质水准的产品; 为保证安装顺利, 请在进行安装前细阅以下指南
- \* 美标公司一贯奉行不断提高和改善其产品设计与性能的政策, 并保留对其产品规格更改的权力, 届时, 恕不另行通知。
- \* 本指南仅供安装和使用作参考, 产品以实物为准。

## Pre-Installation Checks

- \* Remove all impurity in pipes before beginning to avoid clogging. Connect faucet pipes correctly. Make sure the cold water hose is connected to the right side and the hot water hose to the left. Check installation distances in the Dimension diagram to ensure correct installation.
- \* 安装控制阀之前, 请务必清理管中杂物, 以免造成堵塞; 控制阀与冷、热水管必须连接正确; 参考尺寸图, 检查安装尺寸, 确保安装正确。

### Conditions for use 使用条件:

1. Recommended water pressure condition: 0.1~0.5MPa (For best performance and longer life, we recommend fit with pressure reducing valve when water pressure exceed 0.5MPa, cold and hot water pressure difference not exceed 0.2MPa.).
  2. Water Temperature: Cold Water Temperature 4°C ~ 29°C; Hot Water Temperature 55°C ~ 85°C; Recommended Water Temperature 55°C ~ 65°C.
  3. Environment Temperature: 1~55°C
  4. Municipal water requirement, water quality, water quality conform to the state if the poor water quality, easy to plug Cartridge, causing the temperature sensitivity is poor, if blocking one-way valve, will cause the hot and cold water pipe string.
1. 水压 (动态): 0.1MPa-0.5MPa (超过0.5MPa时, 需要加装减压阀, 同时冷热水压力差不超过0.2MPa)。
  2. 使用温度: 冷水温度4°C~29°C; 热水温度55°C~85°C, 建议正常使用温度为55°C~65°C。
  3. 环境温度1°C~55°C。
  4. 水质: 水质符合国家市政供水要求, 如果水质太差, 容易堵塞阀芯, 造成调温灵敏度差, 如果堵塞单向阀, 会造成冷热水管路互串。

### Thermostatic valve attention 恒温阀使用注意事项:

- \* thermostatic valve has no cut-off function, and therefore it can not be used alone, it must be used with the switch control valve.
- \* the thermostatic valve need to match appropriate hot water. Please try to use stable hot water supply source and the best for family is heat storage electric water heater, when you select gas or solar water heater, may appear the below situation, please choose carefully.
- 1. Gas water heater, every water heater has a minimum starting pressure (flow), when we open the thermostatic valve with small flow, the flow of hot water can not reach the minimum flow, so the water heater will be cut off. When the hot water in the pipeline is discharged, the water heater will restart, and repeat the recycle. At this time, the water supply is not stable and it will cause the outlet sometimes hot and sometimes cold.

### Solving methods:

- 1a. Set the water temperature of the water heater to 5 higher than the thermostatic valve (adjust with multiple manual knob, set the temperature knob in the lower position, and then use the knob to adjust the temperature of fire) the demand of hot water becomes larger in order to achieve the starting flow of the water heater. Recommended value: Summer: 45~50°C; winter 50~55°C.
- 1b. Set the water thermostatic valve to full flow (half open water switch need to press the switch to rotate) you can also remove the limiting plug in the shower so that the water can become large to achieve the start flow of water heater
2. Solar water heaters, during the water supply, there is no pressure inside the hot water storage tank, and hot water from the water storage tank will flow by gravity to the thermostatic valve, when the pressure of the cold water supply exceeds hot water supply pressure with 0.2MPa, the water supply will be reversed and the hot water can not come out, then the thermostatic valve water will become sometimes hot and sometimes cold.

### Solving methods

- 2a. to add a pump to the supply of solar water pump, so that the pressure of cold and hot water to reach a balance. Push and save the pressurized water pressure: 0.3MPa.
- 2b. water supply to the cold water with a pressure reducing valve, the same purpose of the cold and hot water supply pressure to reach a balance. When the water supply pressure exceeds 0.5MPa, the pressure relief valve is required to be configured. Recommended water pressure: 0.1~0.5MPa, hot and cold water pressure difference: less than 0.2MPa

- \* 恒温阀不带截止功能, 因此不能单独使用, 必须配置开关控制阀一起使用。
- \* 恒温阀需要匹配合适的热水源, 关于热水源的选择, 尽量选用稳定的热水供应源, 当家庭使用选择热水源时推荐首选储热式电热水器, 选用燃气式或太阳能热水器时, 可能会出现下面的情况, 请谨慎选择。
- 1. 燃气式热水器供水, 每种热水器都有一个最低启动压力(流量), 当我们开启恒温阀流量较小时, 需要的水流量达不到热水器的最低启动流量时, 热水器就会保护熄火。当管路中的热水排完后, 热水器又会重新启动, 反复循环, 这时热水供给就不稳定, 从而导致恒温阀出水忽冷忽热。

### 解决方法:

- 1a. 调低热水器的出水温度, 比恒温阀设定恒温高出5°C即可, (用多个手动旋钮调节的, 将温度旋钮尽量设在偏低位置, 再使用火力旋钮调节温度)使热水的用量需求变大, 以达到热水器的启动流量。推荐值: 夏天: 45~50°C; 冬天50~55°C。
- 1b. 将恒温阀的出水调到全流 (有半开节水开关的, 要按下节水开关转动), 有的配用的花洒内部有限流塞, 可将限流塞取出, 使出水量变大, 以达到热水器的启动流量。
2. 太阳能热水器供水, 太阳能供水时, 热水储水箱内没有压力, 热水是从储水箱内靠重力流向恒温阀, 当冷水供水压力超过热水供水压力0.2MPa, 就会向热水器逆向供水, 导致热水出不来, 这时恒温阀出水就会出现忽冷忽热现象。

### 解决方法:

- 2a. 给太阳能供水加一个增压泵, 使冷水供水压力达到平衡。推荐增压后水压: 0.3MPa.
- 2b. 给冷水供水配减压阀, 同样目的使冷水供水压力达到平衡。当供水压力超过0.5MPa需要配置减压阀。推荐供水水压: 0.1~0.5MPa, 冷热水压力差: ≤0.2MPa。

## Recommended Tools and Materials 推荐的工具和材料



Adjustable Wrench  
活动扳手



Screwdriver  
螺丝刀



Tape Measure  
卷尺



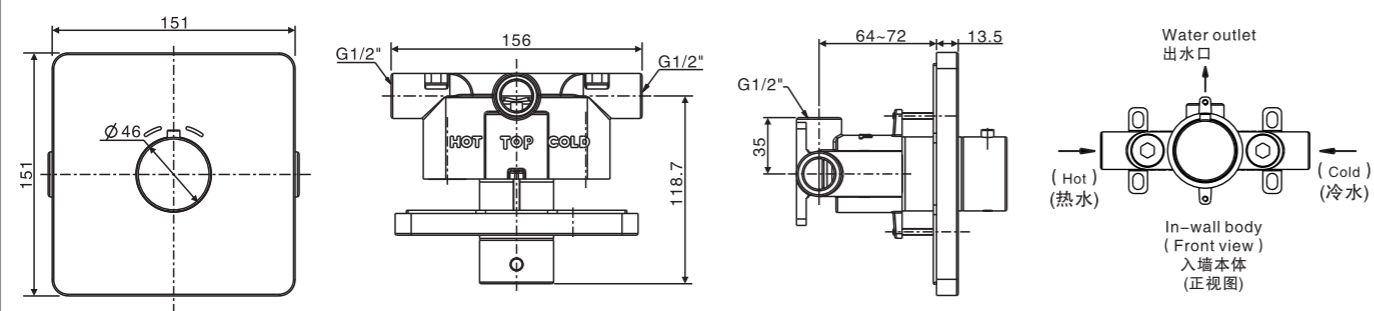
windtight swathe  
生料带



Pencil  
铅笔

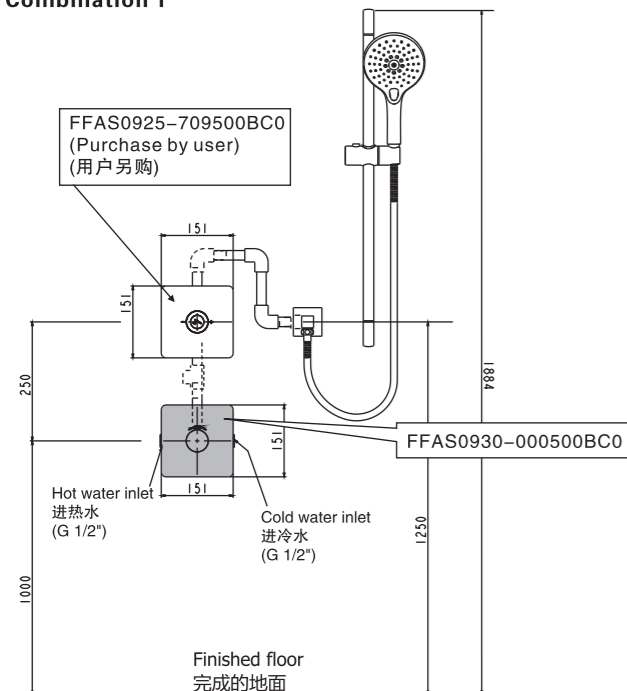
## Dimension 基本尺寸

Unit: mm  
单位: 毫米

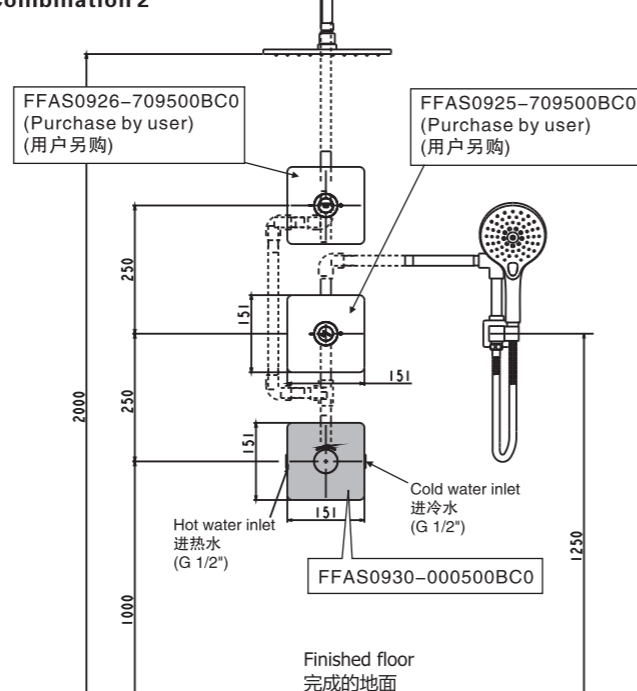


## The combination of the recommended installation drawing 建议组合安装图

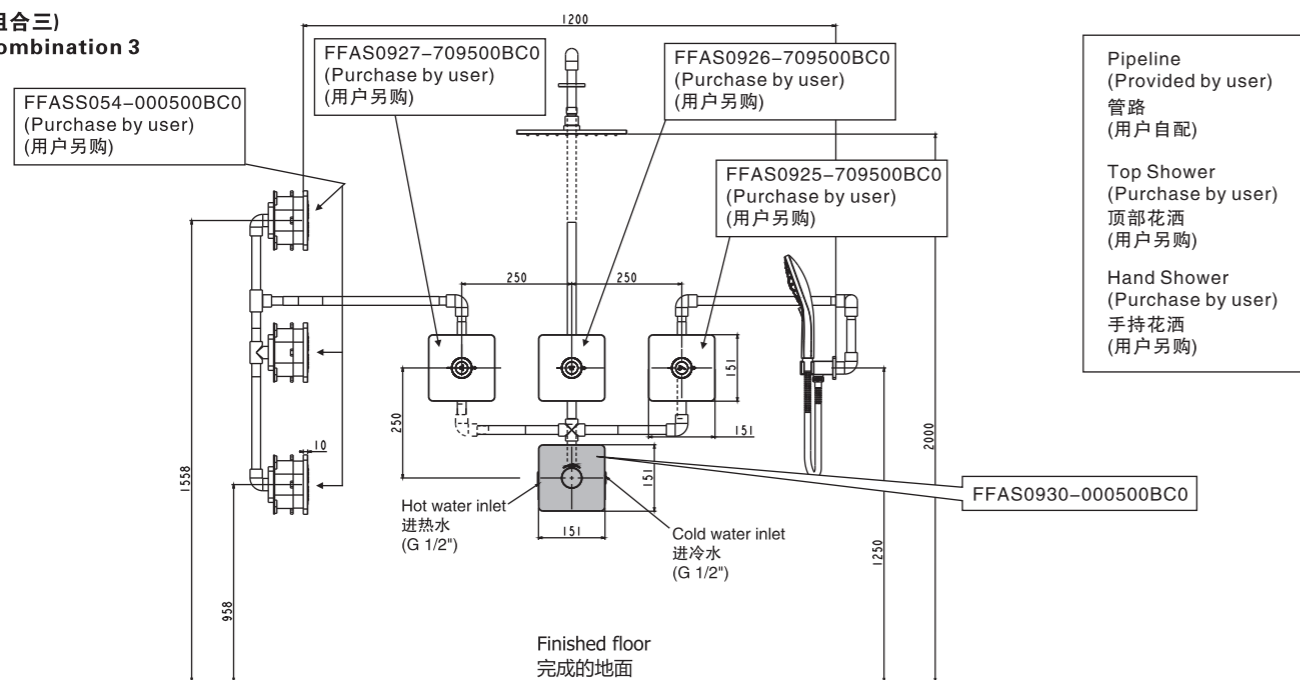
### (组合一) Combination 1



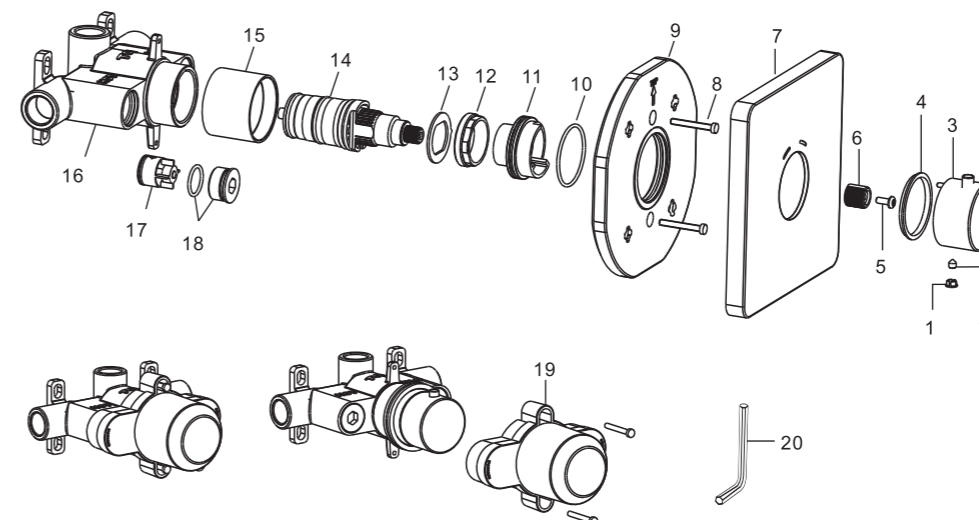
### (组合二) Combination 2



### (组合三) Combination 3



## Parts List 零件明细

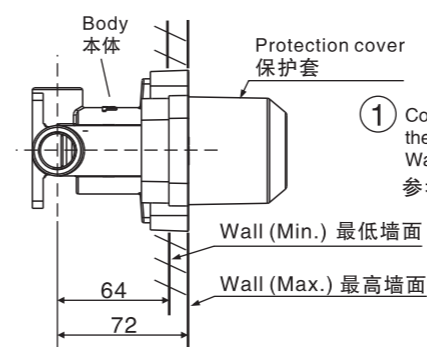


## Parts List 零配件明细

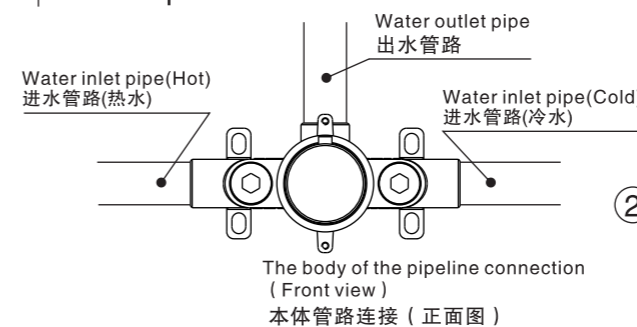
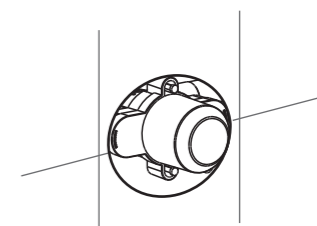
No. 序号	Part Name 零件名称	Q'ty 数量
1	Index button 孔塞	1
2	Screw 螺钉	1
3	Handle 把手	1
4	Locating piece 定位片	1
5	Screw 螺钉 M4x12	1
6	Bushing 衬套	1
7	Escutcheon 孔罩	1
8	Screw 螺钉 M4x31	2
9	Locating plate 固定板	1
10	O-Ring O环	1
11	Snap ring 卡环	1
12	Nut 螺母	1
13	Washer 垫片	1
14	Cartridge 阀芯	1
15	Sleeve 套筒	1
16	Body 本体	1
17	Check valve 单向阀	2
18	Plug 堵头	2
19	Protection cover 保护套	1
20	In-hex wrench 六方扳手	1

## Installation 安装部分

### 1 Installing the Body 安装本体



① Consult the dimension drawing and lay the pipes and the installation position of reservation of body. Wash and clean the water supply pipeline.  
参考尺寸图铺设管路和预定本体的安装位置；  
试水后确认无渗漏，完成墙面。



### 2 Installing the Escutcheon and Handle 安装孔罩和把手

