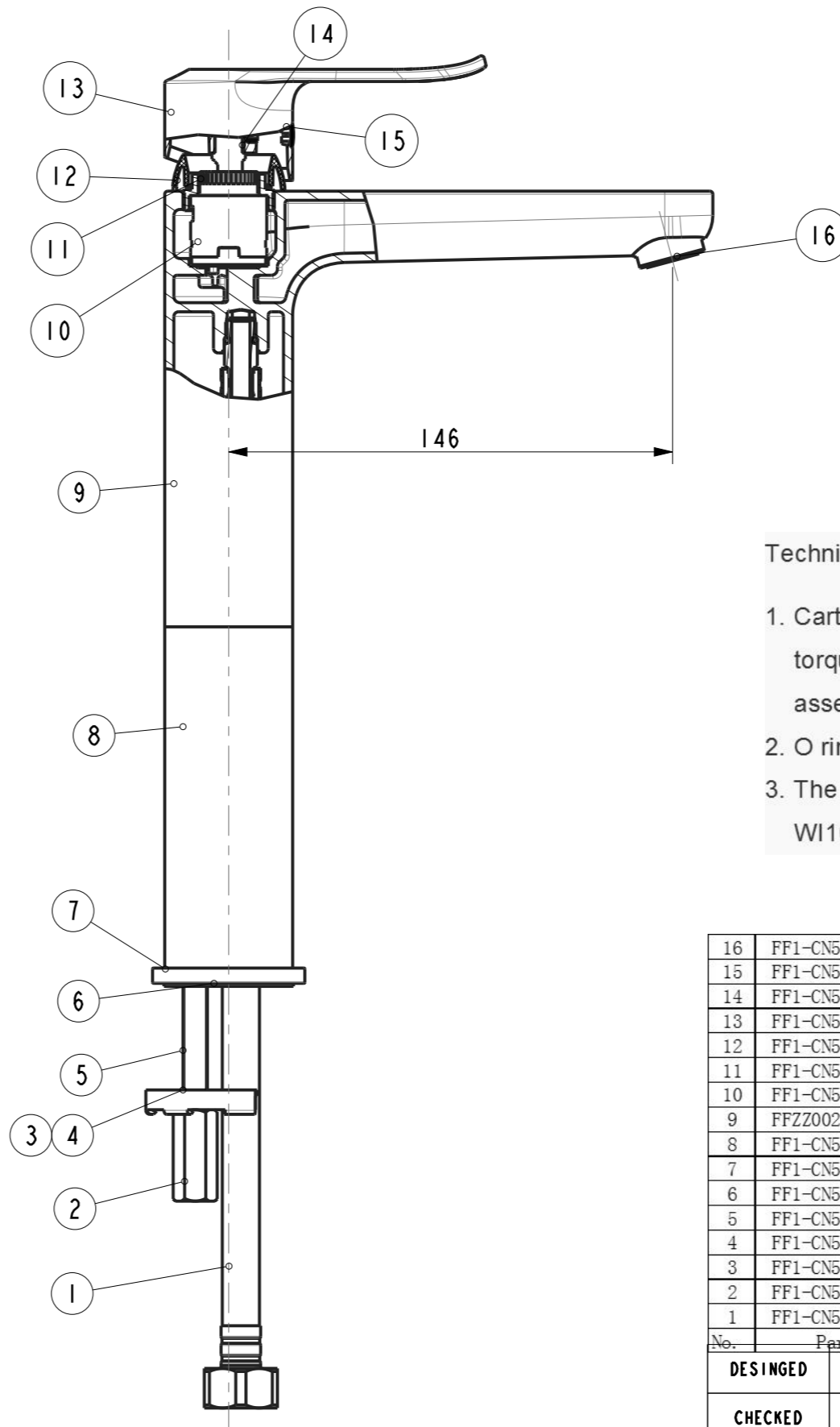
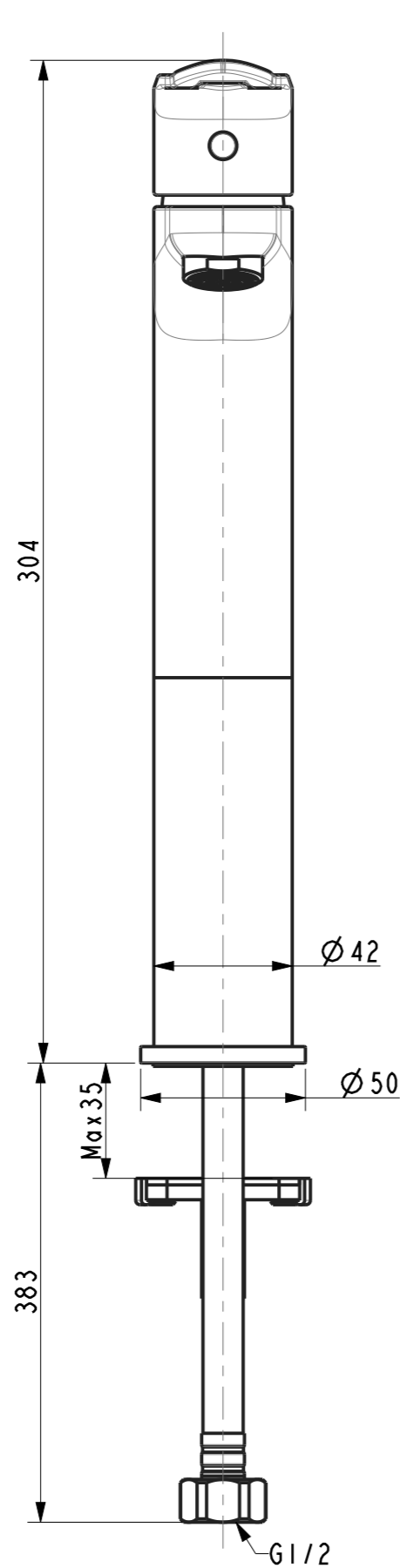


Tolerance, Unless Otherwise Stated, Is			
Above 0.5 to and including 6	±0.1	6	±0.1
Excess 6 to and including 30	±0.2	30	±0.2
Excess 30 to and including 120	±0.3	120	±0.3
Excess 120 to and including 315	±0.5	315	±0.5
Excess 315 to and including 1000	±0.8	1000	±0.8
Excess 1000 to and including 2000	±1.2	2000	±1.2



Technical requirements:

1. Cartridge tightening torque is 6 ~ 8 N.M, and the other torque is implemented according to the "WI09.1520 assembly torque specification".
2. O ring coated lubricating oil PMX200;
3. The finished product should meet TIS 2067-2552 and WI10.0507 final inspection standard.

No.	Part Code	Description	Material	Qty	Remark
16	FF1-CN521A0001450B	Aerator	Assembly	1	
15	FF1-CN521Z00004950	Handle Cover	ABS	1	
14	FF1-CN521N00000228	Screw M5	SUS304	1	
13	FF1-CN521L00000090	Handle	ZZnAl4-1	1	
12	FF1-CN521F00000041	Cartridge Cover	ABS	1	
11	FF1-CN521N00000045	Cartridge nut	Hpb59-1	1	
10	FF1-CN521C00000011	Cartridge 25mm	Assembly	1	
9	FFZZ0021-0002050PL	body	Gkms60Fk	1	
8	FF1-CN521J00009050	Extended tube	ZZnAl4-1	1	
7	FF1-CN521W00000030	Bottom Wahser	Hpb59-1	1	
6	FF1-CN521G00000324	Washer 42.5*36.1*3	NBR	1	
5	FF1-CN521Z00000191	Bolt M8*190	SUS304	1	
4	FF1-CN521G00000238	Gasket	NBR	1	
3	FF1-CN521J00000432	Iron Plate	Q235	1	
2	FF1-CN521N00000073	Fixation Nut	Hpb59-1	1	
1	FF1-CN521T00000019	Flexible hose(blue) (L=600)	Assembly	1	

DESIGNED		TITLE		
CHECKED		REF		
APPROVED		Neo Modern Extended Basin Mono Faucet		
SCALE	MATERIAL	WEIGHT	DWG NO.	American Standard
1:2	Assembly		FFAS0707-101500BF0	

REV	DESCRIPTION	DATE	NAME