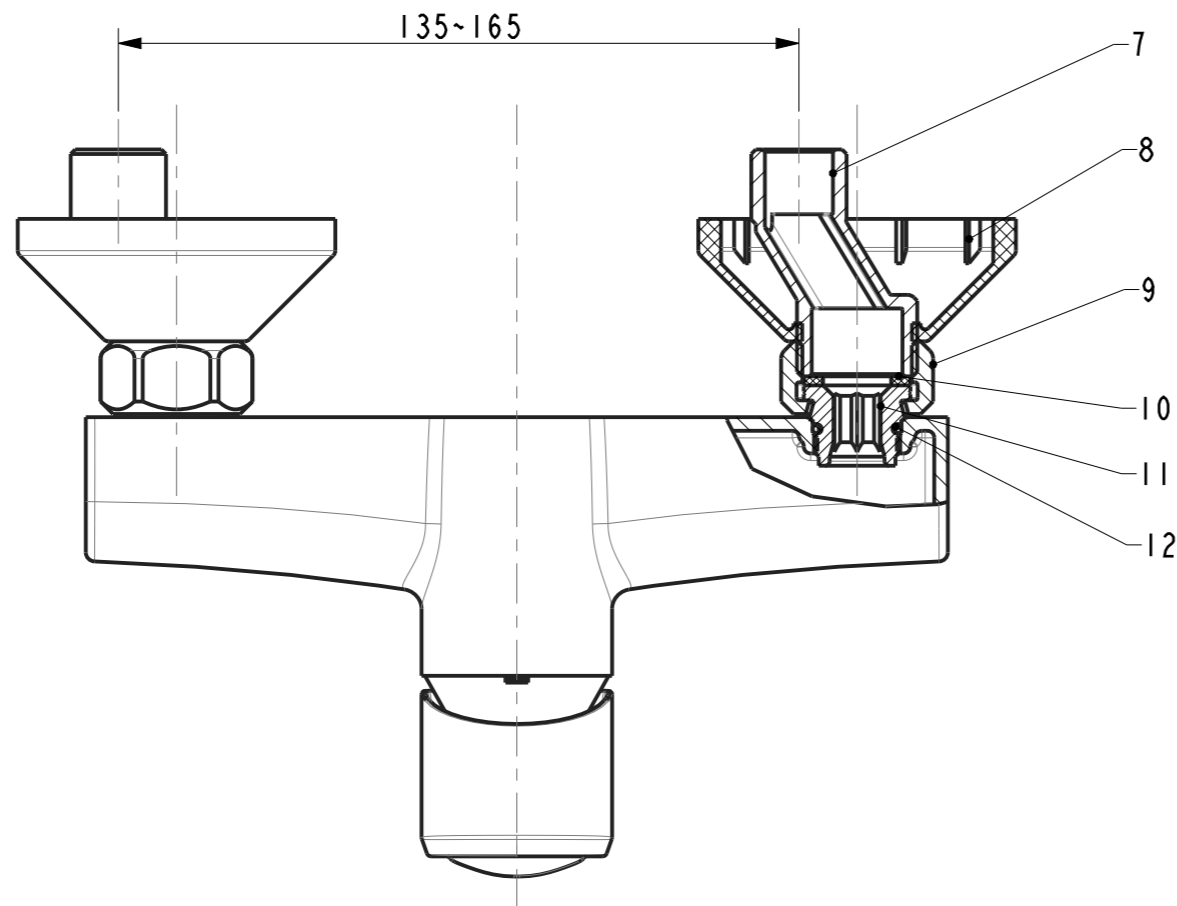
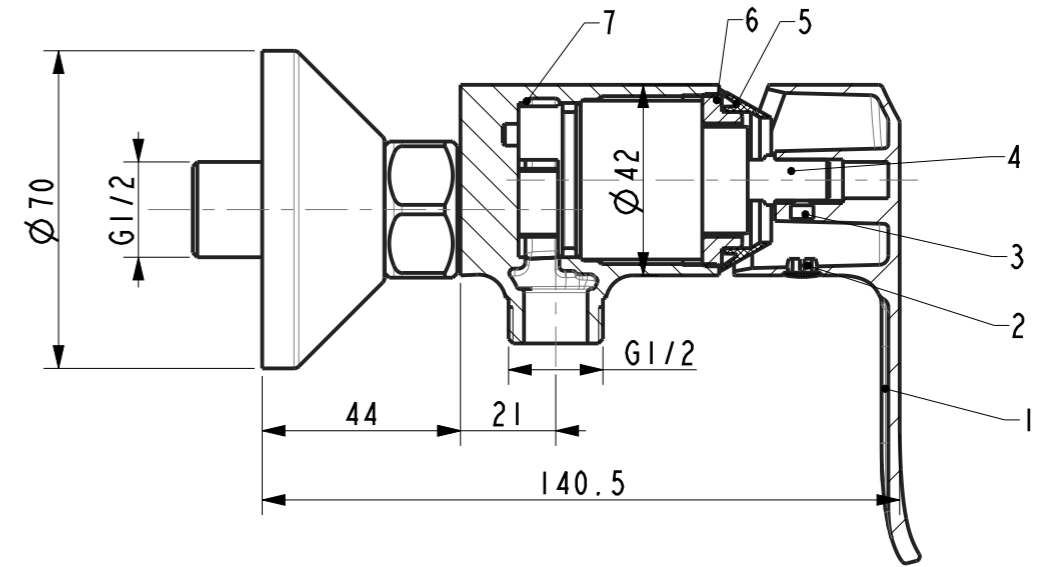
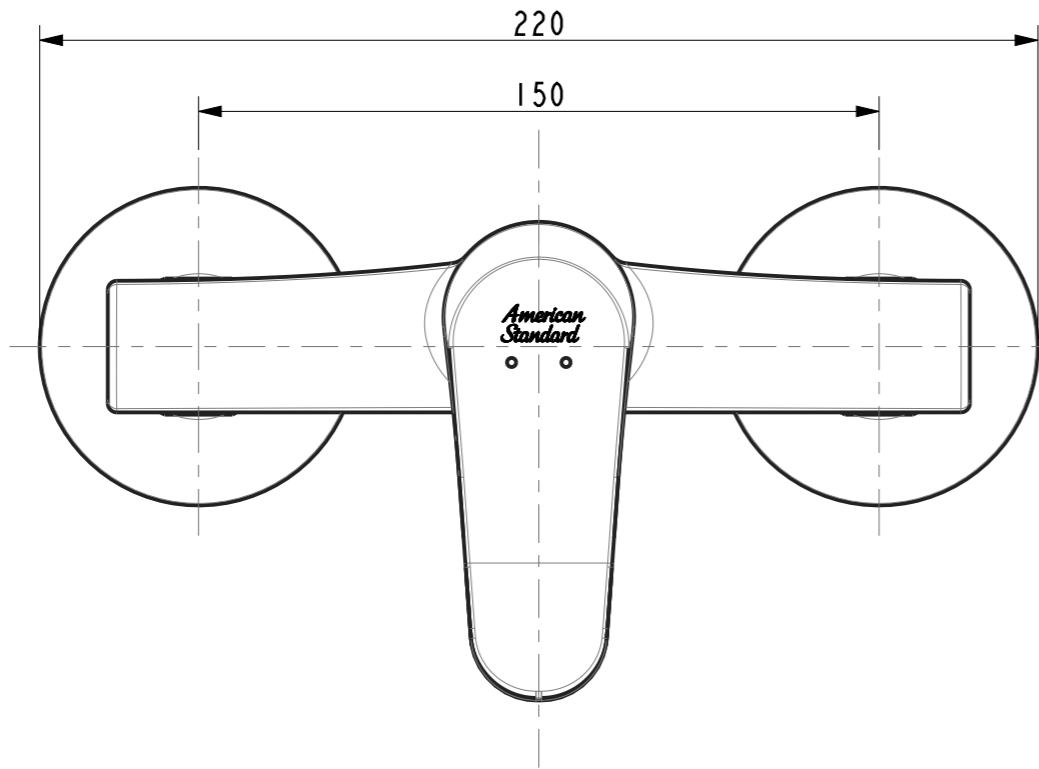


Tolerance, Unless Otherwise Stated, Is				
Above	0.5 to and including	6	±0.1	
Excess	6 to and including	30	±0.2	
Excess	30 to and including	120	±0.3	
Excess	120 to and including	315	±0.5	
Excess	315 to and including	1000	±0.8	
Excess	1000 to and including	2000	±1.2	



Technical requirements:

1. Cartridge tightening torque is 8 ~ 10 N.M, and the other torque is implemented according to the "W109.1520 assembly torque specification".
2. The finished product should meet GB18145 and W110.0504 final inspection standard.

13	FF1-CN521G00000112	O ring 15.6*1.78	NBR70	2	
12	FF1-CN521W00000048	THREADED NIPPLE	HPb59-1	2	
11	FF1-CN521G00000341	Washer $\phi 24^* \phi 15^* 2$	Fiber	2	
10	FF1-CN521N00000291	Nut G3/4	HPb59-1	2	
9	FF1-CN521F00000094	Escutcheon	ABS	2	
8	FF1-CN521J00000242	S Connector (G1/2 to G3/4)	SUS304	2	
7	FFZZ0712-70150BDPL	Body	GkMs60Fk	1	
6	FF1-CN521N00000091	Cartridge Nut	HPb59-1	1	
5	FF1-CN521F00000042	Cartridge Cover	ABS	1	
4	FF1-CN521C00001399	Cartridge 35mm	Assembly	1	
3	FF1-CN521N00000899	Screw M5	SUS304	1	
2	FF1-CN521Z00000086	Handle Cover	ABS	1	
1	FF1-CN521L00000091	Handle	ZZnA14-1	1	
No.	Part Code	Description	Material	Qty	Remark

DESIGNED			TITLE		
CHECKED			REF		
APPROVED			Neo Modern EX Shower Only mixer		
SCALE	MATERIAL	WEIGHT	DWG NO.		
3:5	Assembly		FFAS0712-7T2500BT0		

REV	DESCRIPTION	DATE	NAME

**American Standard**