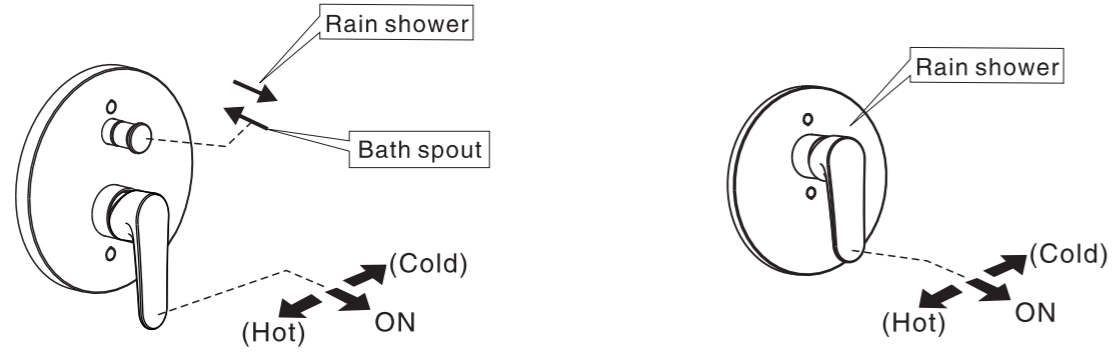


Test / Usage

1 Test

- * Move handle down into "OFF" position. Turn on water supply valve to check all connections for leak.
- * Operate handle up and down, left and right to flush water lines thoroughly.

2 Usage

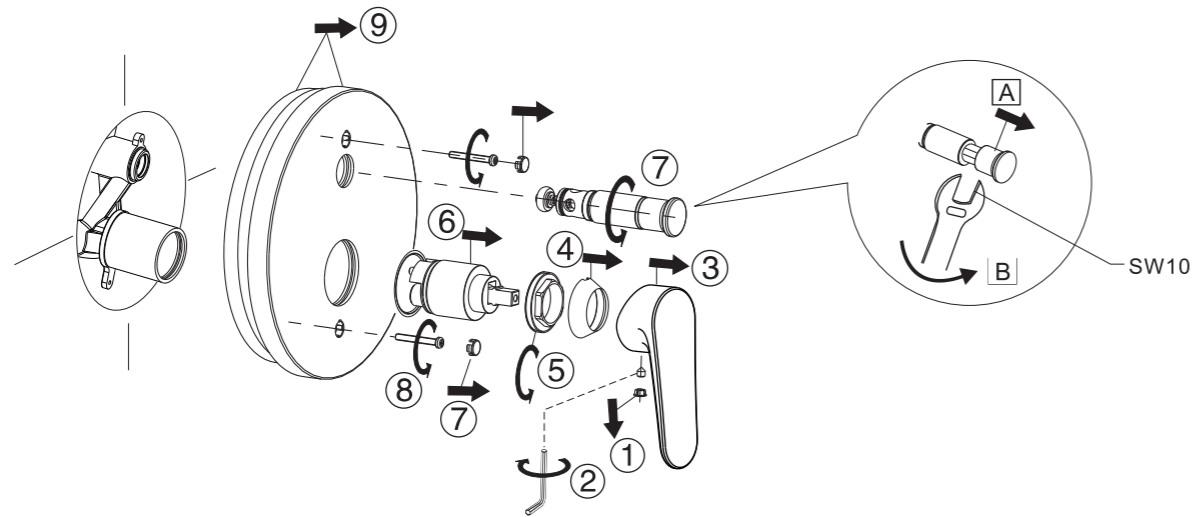


Trouble Shooting Guide

Trouble	Checkpoint	Contents	Action
Poor flow rate	Regulator	Check any impurities.	Remove all impurities.
	Angle valve	Check valve position.	Open it to full valve
Leakage	Cartridge packing	Check cartridge install.	When packing is damaged, replace the cartridge.
Deviant Temperature	Supply valve	Check if the water from supply valve is enough or not	Increase water supply
	Supply system	Check if the supply pipe connected correct or not	Connect the hot and cold water pipe correctly

Care & Maintenance

* If you want to do the maintenance for the faucet, please follow the below process.



Attention:
Please Leave the manual to the customer after installation is finished.

Codie

FFASB221-6T9500BT0
Codie Concealed Bath & Shower Mixing Valve
FFASB222-7T9500BT0
Codie Concealed Shower Mixing Valve

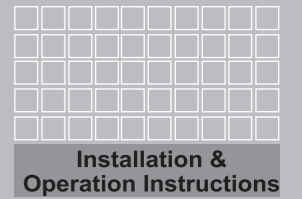


FFASB221-6T9500BT0



FFASB222-7T9500BT0

American Standard



Thank you for selecting American-Standard - the benchmark of fine quality for over 100 years. To ensure that your installation proceeds smoothly--please read these instructions carefully before you begin.

- * American Standard always keep raising and improving the product design and performance, and reserve the right to modify the dimension and specification. At this case, we will not inform you separately.
 - * This installation instruction sheet is for your reference only, the dimension and specification is subject to the actual products.
- All instruction procedures must comply in strict accordance with applicable local plumbing and building codes

Pre-Installation Checks

- * **Remove all impurity in pipes before beginning to avoid clogging. Connect faucet pipes correctly. Make sure the cold water hose is connected to the right side and the hot water hose to the left.**
- * **Check installation distances in the Dimension diagram to ensure correct installation.**

Conditions for use

- * **Recommended water pressure condition: 0.1~0.5Mpa.**
- * **Environment temperature:1~55°C**
- * **Steam is not allowed to use.**
- * **The cold and hot water pipes must not be reserved.**

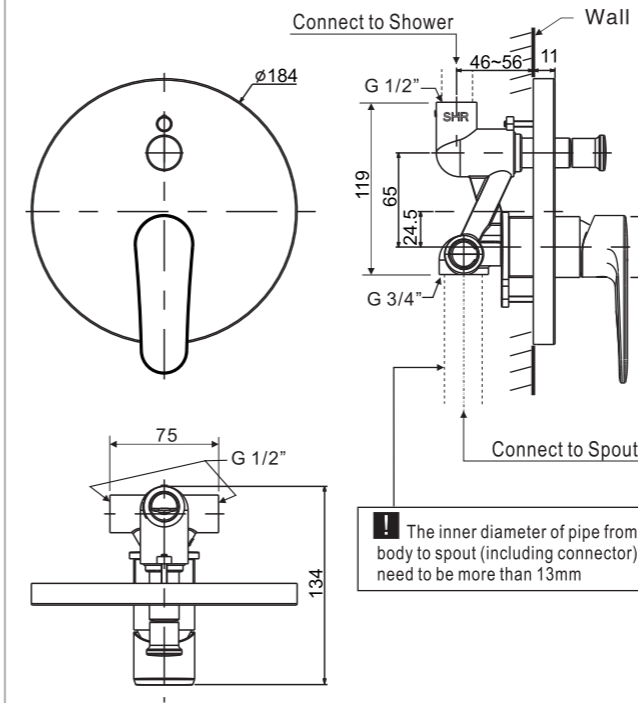
When in the process of installation, grab the whole body. Do not grab handle only.

Recommended Tools and Materials



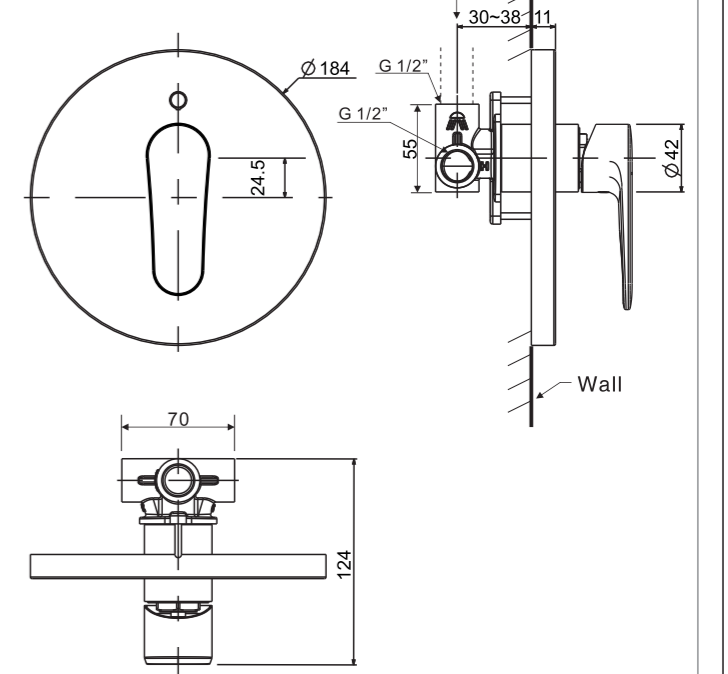
Dimension

FFASB221-6T9500BT0



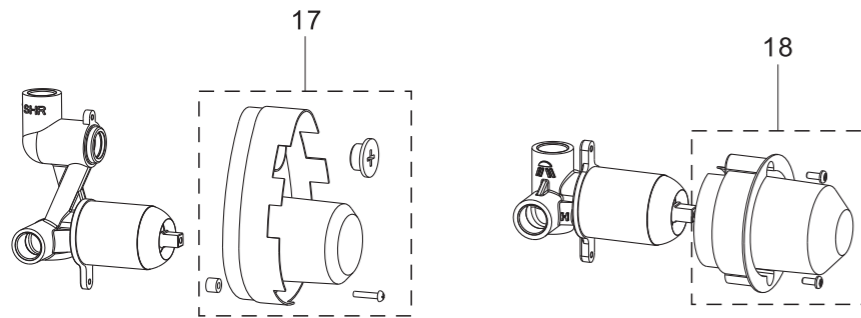
The inner diameter of pipe from body to spout (including connector) need to be more than 13mm

FFASB222-7T9500BT0

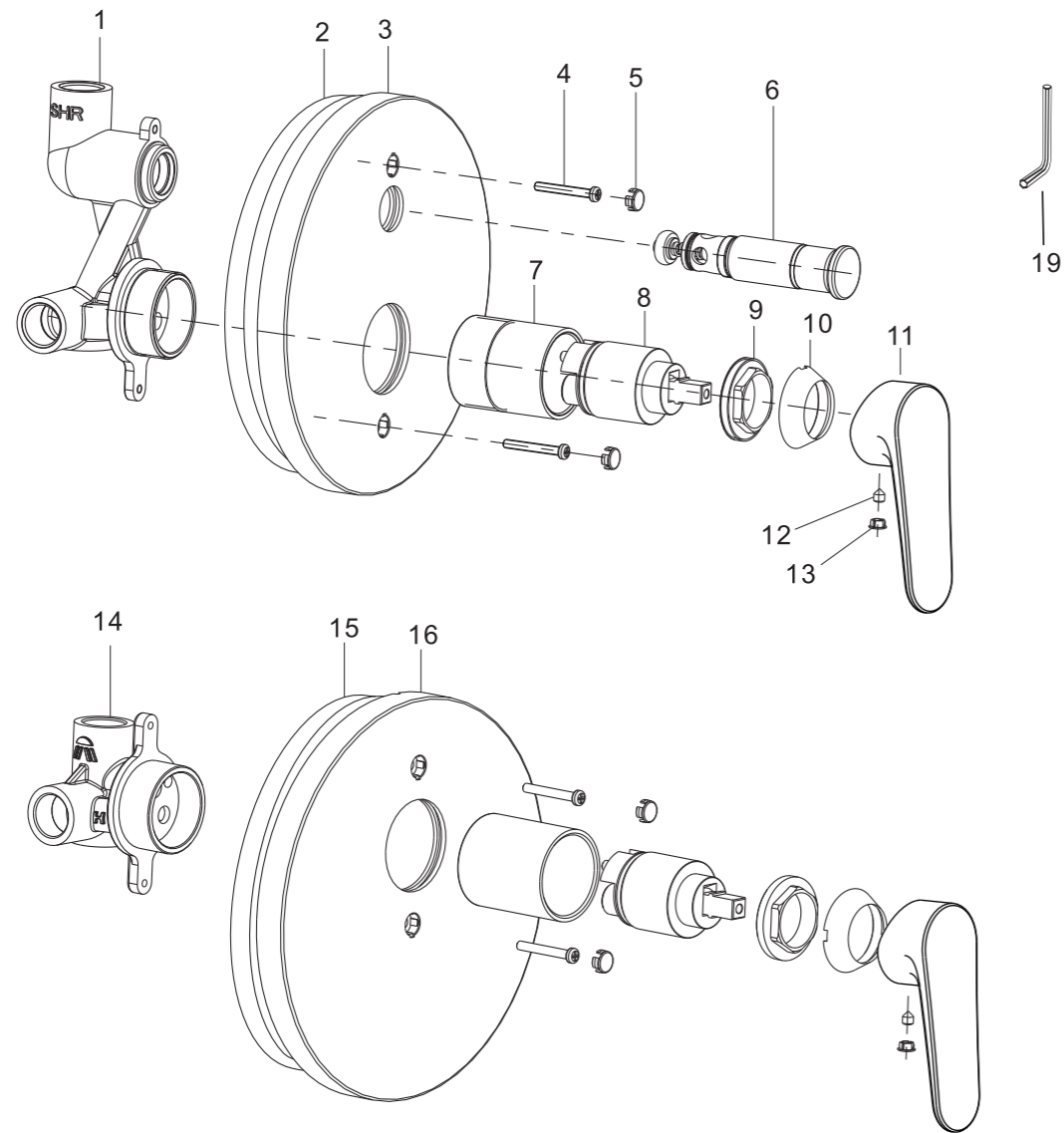


Unit: mm

Parts List

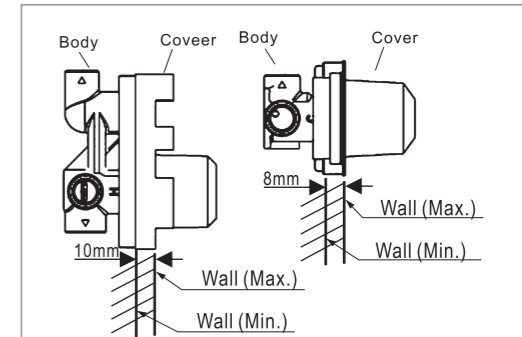
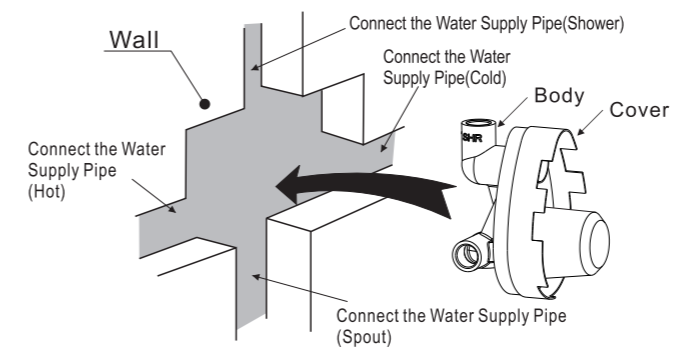


Parts List			
No.	Part Name	Q'ty	
FFASB221 / FFASB222			
1	Body	1	0
2	Washer	1	0
3	Escutcheon	1	0
4	Screw	2	2
5	Cap	2	2
6	Diverter Valve	1	0
7	Pipe	1	1
8	Cartridge	1	1
9	Nut	1	1
10	Cap	1	1
11	Handle	1	1
12	Screw	1	1
13	Index Button	1	1
14	Body	0	1
15	Washer	0	1
16	Escutcheon	0	1
17	Cover	1	0
18	Cover	0	1
19	In-hex Wrench	1	1



Installation

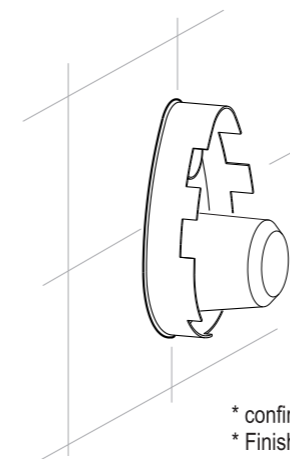
1 Installing the Body



* Finishing wall should be between the minimum and the maximum.

- * Consult the dimension drawing and lay the pipes.
- * Before installation, Wash and clean the water supply pipes

2 Finish Wall



- * confirm there is no leakage in every connection.
- * Finish the Wall

3 Installing the Escutcheon & Handle

