

To ensure that your installation proceeds smoothly, please read this instructions carefully before you begin.

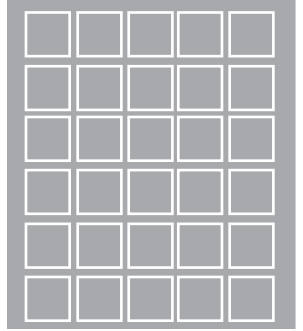
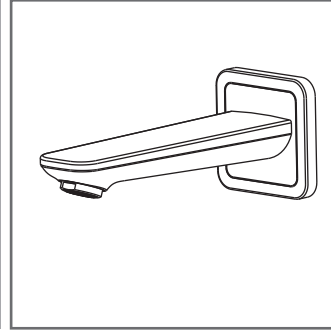
*American Standard*

## Milano

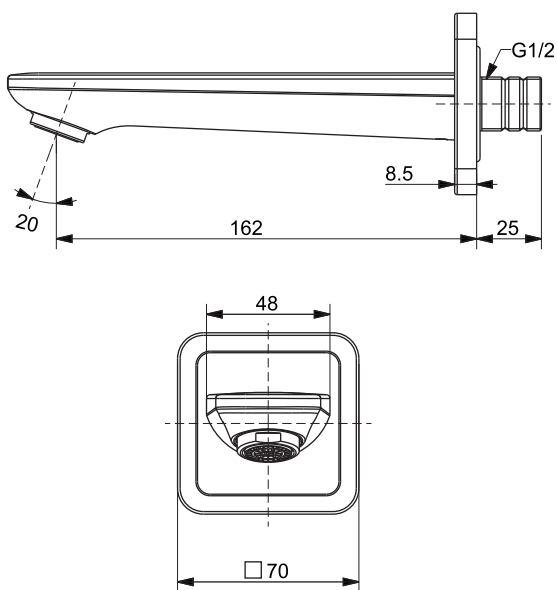
FFAS9714-000500BF0(WF-9714.000.50)

Milano In-wall Spout (Without Diverter)

### Installation & Operation Instruction

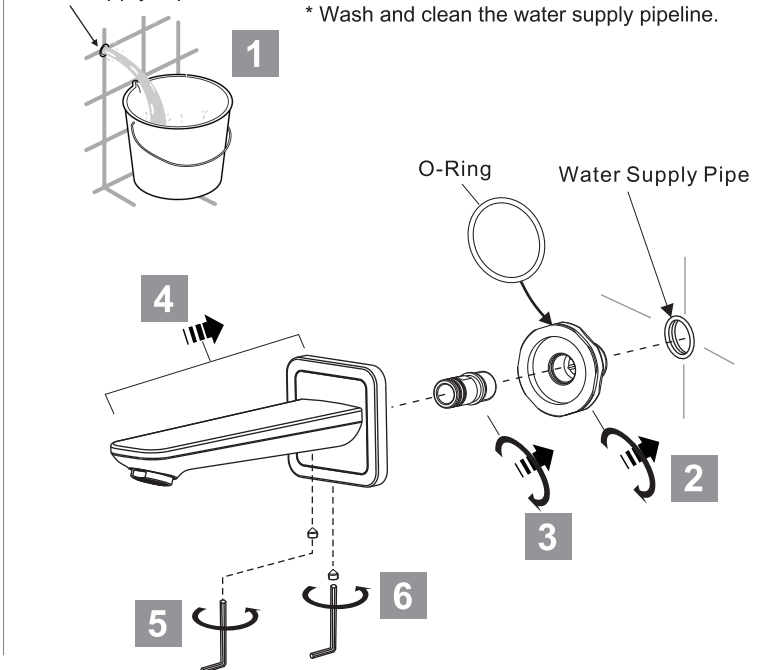


### Dimension



### Installation

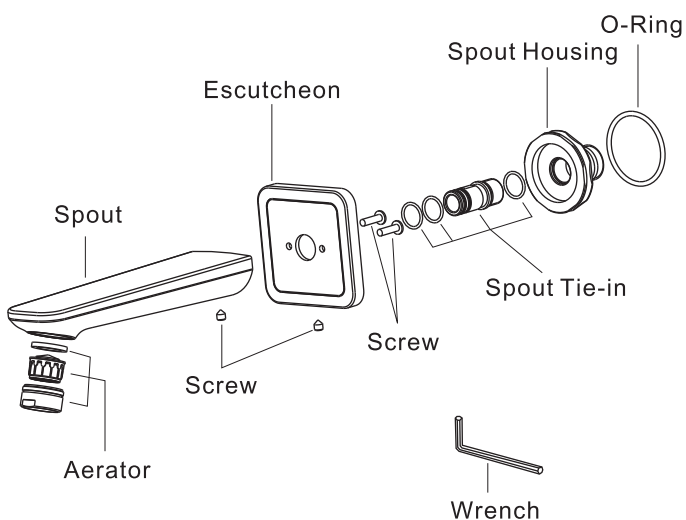
Water Supply Pipe



\* Check the installation position based on the Dimension Drawing.

\* Wash and clean the water supply pipeline.

### Parts List



### Maintenance

#### Repairing

\* When you repair the faucet you will need to shut off hot/cold water supply by closing the water supply valve.

#### Cleaning the surface of faucet

- \* Rinse the product with clean water.
- \* Dry with soft cotton flannel cloth.
- \* Do not clean the product with acid, polish, abrasives, harsh cleaners, or cloth with a harsh surface as these products may damage the finish.

#### Conditions for use

- \* Recommended water pressure condition: 0.1~0.5Mpa.
- \* Environment Temperature: 1~55°C
- \* Not for use as a steam outlet.