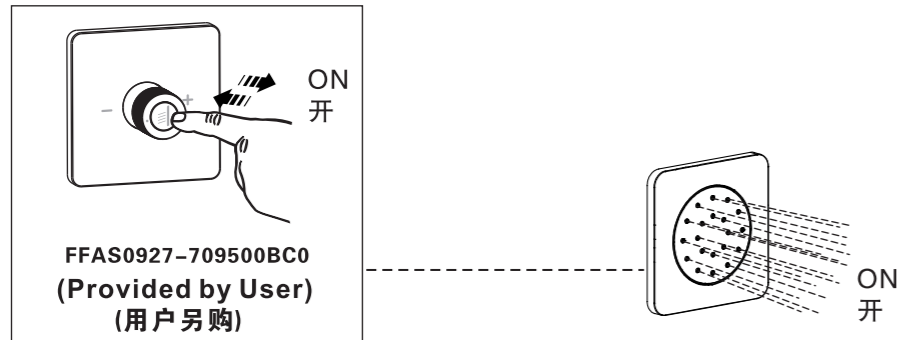


Test / Usage 测试/使用

1 Test 测试

- * Turn handle to "OFF" position. Open water supply valve to check all connections for leakage;
- * Turn handle to "ON" position. Check the water flow.
- * 将把手处在关的位置，开启供水并检查各连接是否有渗漏；
- * 打开把手，检查出水是否正常。

2 Usage 使用



Trouble Shooting Guide 一般故障排除

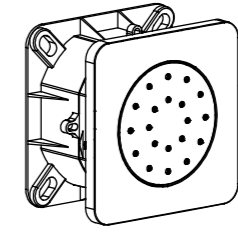
Trouble 故障	Checkpoint 检查点	Contents 内容	Action 处理办法
Poor flow rate 流量小	Water supply valve 供水阀	Check valve position. 检查供水阀是否开得大小	Open it to full valve 开大供水阀
Leakage 漏水	Cartridge packing 阀芯	Check cartridge install. 检查阀芯是否被松开	When packing is damaged, replace the cartridge. 紧固好阀芯
Deviant Temperature 不正常水温	Supply Valve 供水阀	Check if the water from Supply valve is enough or not 检查供水阀是否开得大小	Increase water supply 开大供水阀
	Supply system 供水管路	Check if the supply pipe connected correct or not 检查进水管是否连接正确	Connect the hot and cold water pipe correctly 正确连接冷热供水管



Attention:
Please Leave the manual to the customer after installation is finished.

安装者注意:
安装完成后，请将此说明书留给用户。

FFASS054-000500BC0
Body Showers With Conceal Body
入墙式侧喷



American Standard

Installation & Operation Instructions
安装/使用说明书

Thank you for selecting American-Standard - the benchmark of fine quality for over 100 years.

To ensure that your installation proceeds smoothly--please read these instructions carefully before you begin.

- * American Standard always keep raising and improving the product design and performance, and reserve the right to modify the dimension and specification. At this case, we will not inform you separately.
 - * This installation instruction sheet is for your reference only, the dimension and specification is subject to the actual products.
- 感谢您选购美标洁具—拥有百年优质水准的产品
为保证安装顺利，请在进行安装前细阅以下指南
*美标公司一贯奉行不断提高和改善其产品设计与性能的政策，并保留对其产品规格更改的权力，届时，恕不另行通知。
*本指南仅供安装和使用作参考，产品以实物为准。

Pre-Installation Checks 安装前注意事项

- * All instruction procedures must comply in strict accordance with applicable local plumbing and building codes
- * Remove all impurity in pipes before beginning to avoid clogging. Connect faucet pipes correctly.
- * Check installation distances in the Dimension diagram to ensure correct installation.
- * 所有的安装程序必须严格遵从当地的卫浴和建筑法规条例。
- * 安装控制阀之前，请务必清理管中杂物，以免造成堵塞；控制阀与冷、热供水管必须连接正确。
- * 参考尺寸图，检查安装尺寸，确保安装正确。

Conditions for use 使用条件:

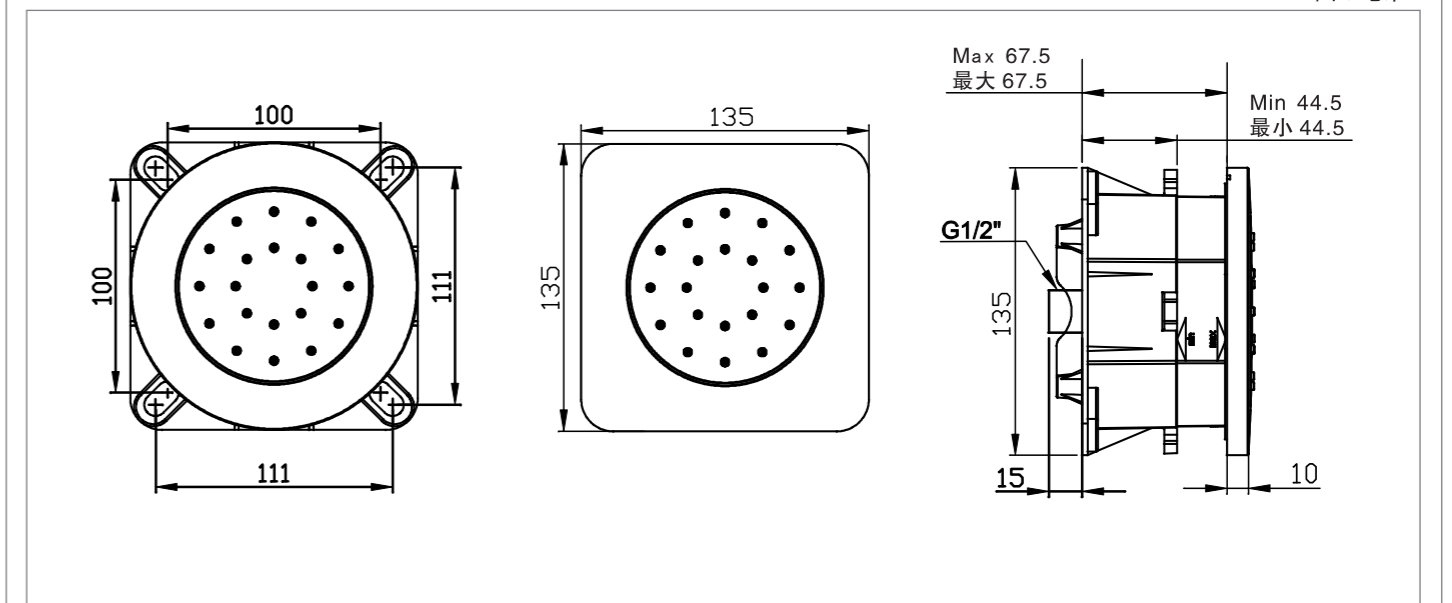
- * Recommended water pressure condition: (Dynamic Pressure) : 0.1Mpa-0.5Mpa
- * Environment Temperature:1-55℃
- * Water temperature: 4℃ ~ 90℃, Recommended temperature 55℃ ~ 65℃
- * The cold and hot water pipes must not be reserved. Steam is not allowed to use.
- * 建议水压（动态水压）：0.1~0.5MPa(兆帕)
- * 环境使用温度：1℃ ~ 55℃
- * 用水温度：4 ~ 90℃，推荐使用热水温度55~65℃
- * 冷热水管不可调换，不可使用蒸汽。

Recommended Tools and Materials 推荐的工具和材料



Dimension 基本尺寸

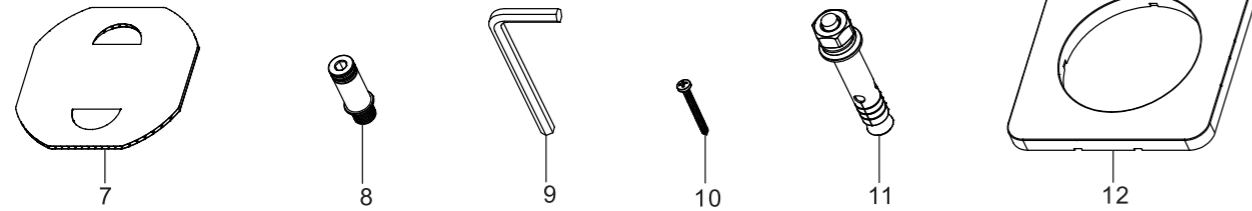
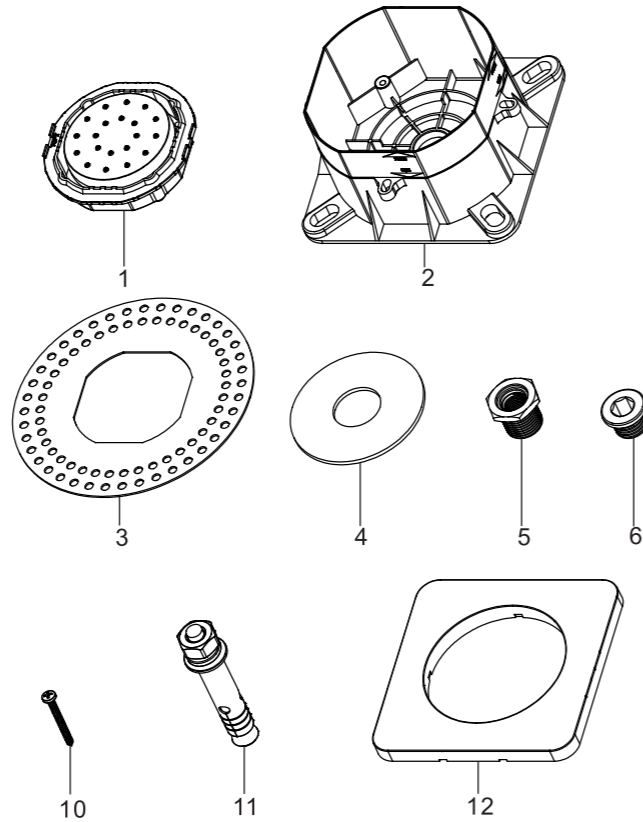
Unit: mm
单位:毫米



Parts List 零件明细

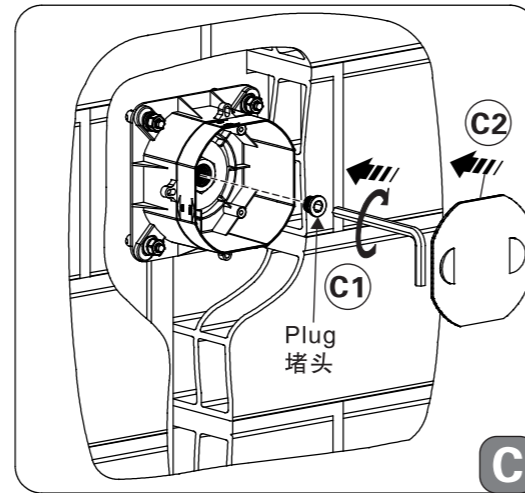
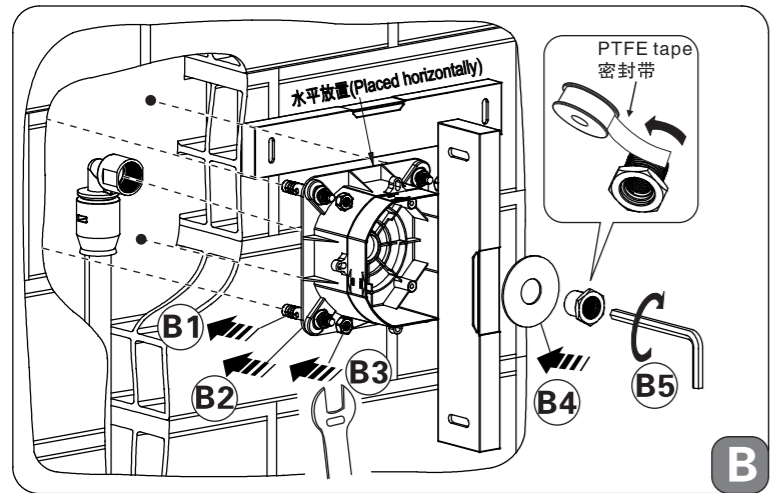
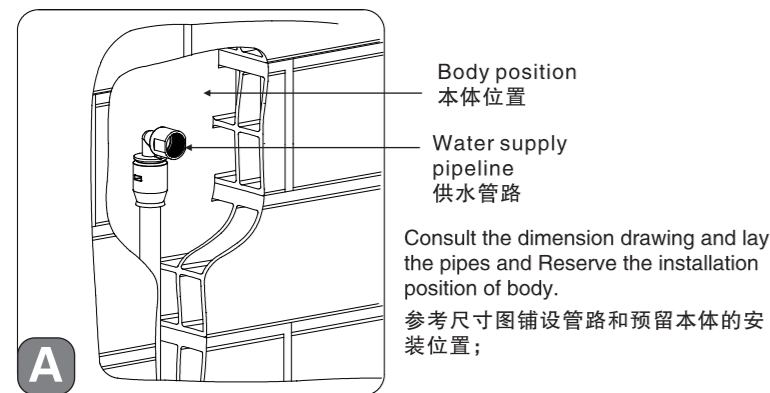
Parts List 零配件明细

No. 序号	Part Name 零件名称	Q'ty 数量
1	Body Jet 侧喷主体	1
2	Built in Box 入墙盒	1
3	Mounting Pads 安装垫	1
4	Flat Washer 垫片	1
5	Connection 1/2"GM 1/4"GF 接头	1
6	Cap 1/4"G with o-ring 堵头(带O环)	1
7	Cover 安装盖板	1
8	Connection 1/4"GM with o-ring 连接杆(带O环)	1
9	Hex Wrench(8mm) 扳手	1
10	Screw d4.2xL38 螺钉	8
11	Expansion Bolts M6x60膨胀螺栓	4
12	Rose 装饰盖	1



Installation 安装说明

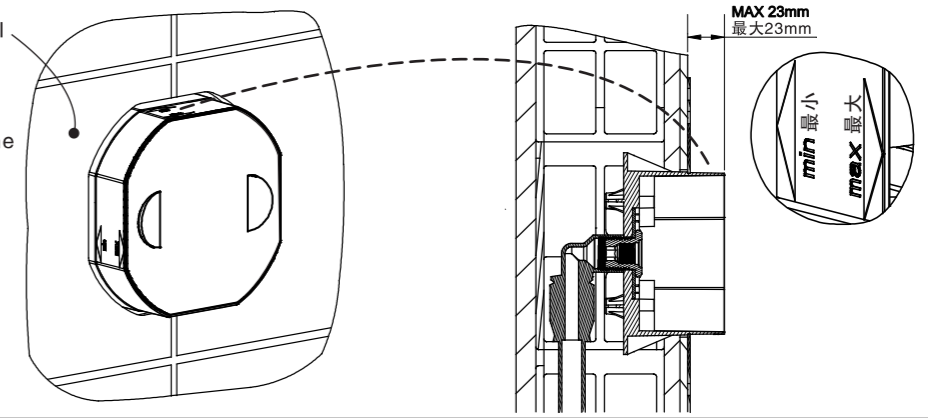
1 Installation Built in box 安装入墙盒



Finishing the Wall 完成墙面

Finish wall should be between the minimum and the maximum 完成的墙在最小和最大之间

D



2 Installation Body jet 安装侧喷主体

