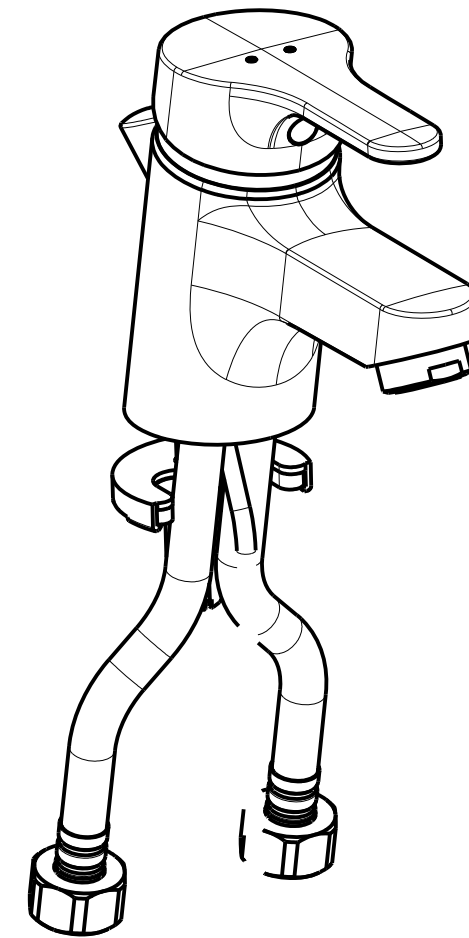
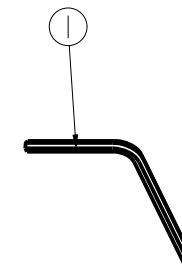
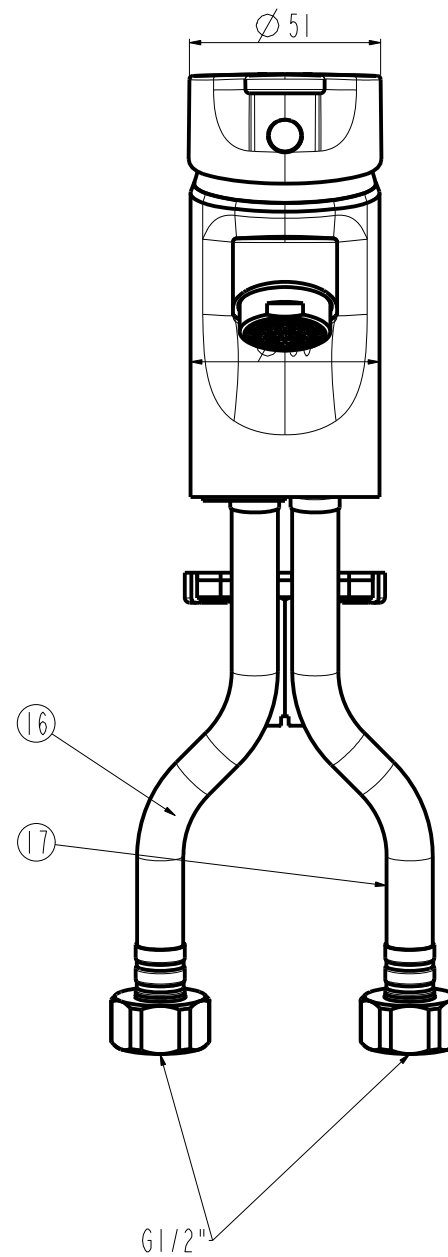
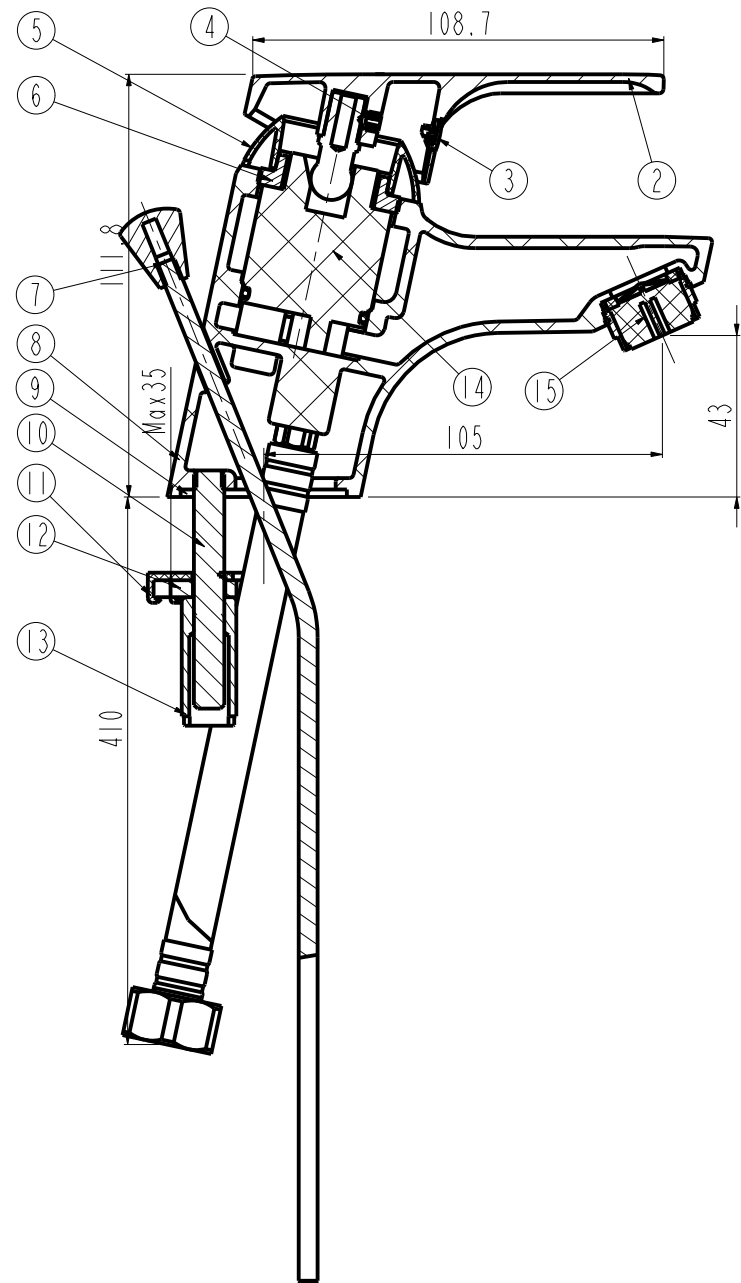


Tolerance, Unless Otherwise Stated, Is			
Above	0.5 to and including	6	±0.1
Excess	6 to and including	30	±0.2
Excess	30 to and including	120	±0.3
Excess	120 to and including	315	±0.5
Excess	315 to and including	1000	±0.8
Excess	1000 to and including	2000	±1.2



17	1582004899	Hose	1	Assembly	
16	1582004799	Hose	1	Assembly	
15	1585001499	Aerator	1	Assembly	
14	158K651659	Onyx Cartridge	1	Assembly	
13	1580660999	Nut	1	Hpb59-1	
12	158A923271	Iron Plate A923271 (BVBA)	1	SUS 304	
11	158A911942	Gasket (A911942)	1	NBR	
10	1591724099	Screw	1	Hpb59-1	
9	1581182599	Washer	1	NBR	
8	158B900704	Body	1	GkMs60Fk	
7	15809907X0	1560 Pull Rod	1	Assembly	
6	1580664199	Nut	1	Hpb59-1	
5	158B907162	Cap for Nut	1	ABS	
4	158A917376	Screw	1	SUS 304	
3	1580970499	Cover	1	ABS	
2	158B916685	Handle	1	ZZnA14-1	
1	1582361599	Handle For Screw	1	SUS 304	
NO.	PART NO.	PART NAME	QTY	MATERIAL	FINISH

DESIGNED			TITLE		
CHECKED			REF		
APPROVED			Concept Round Basin Mixer w/o Pop-up Drain		
SCALE	MATERIAL	WEIGHT	DWG NO.		
1:2	Assembly		FFAS1401-101500BF0		

American Standard

Remark:

1. All function fit GB18145.

REV	DESCRIPTION	DATE	NAME