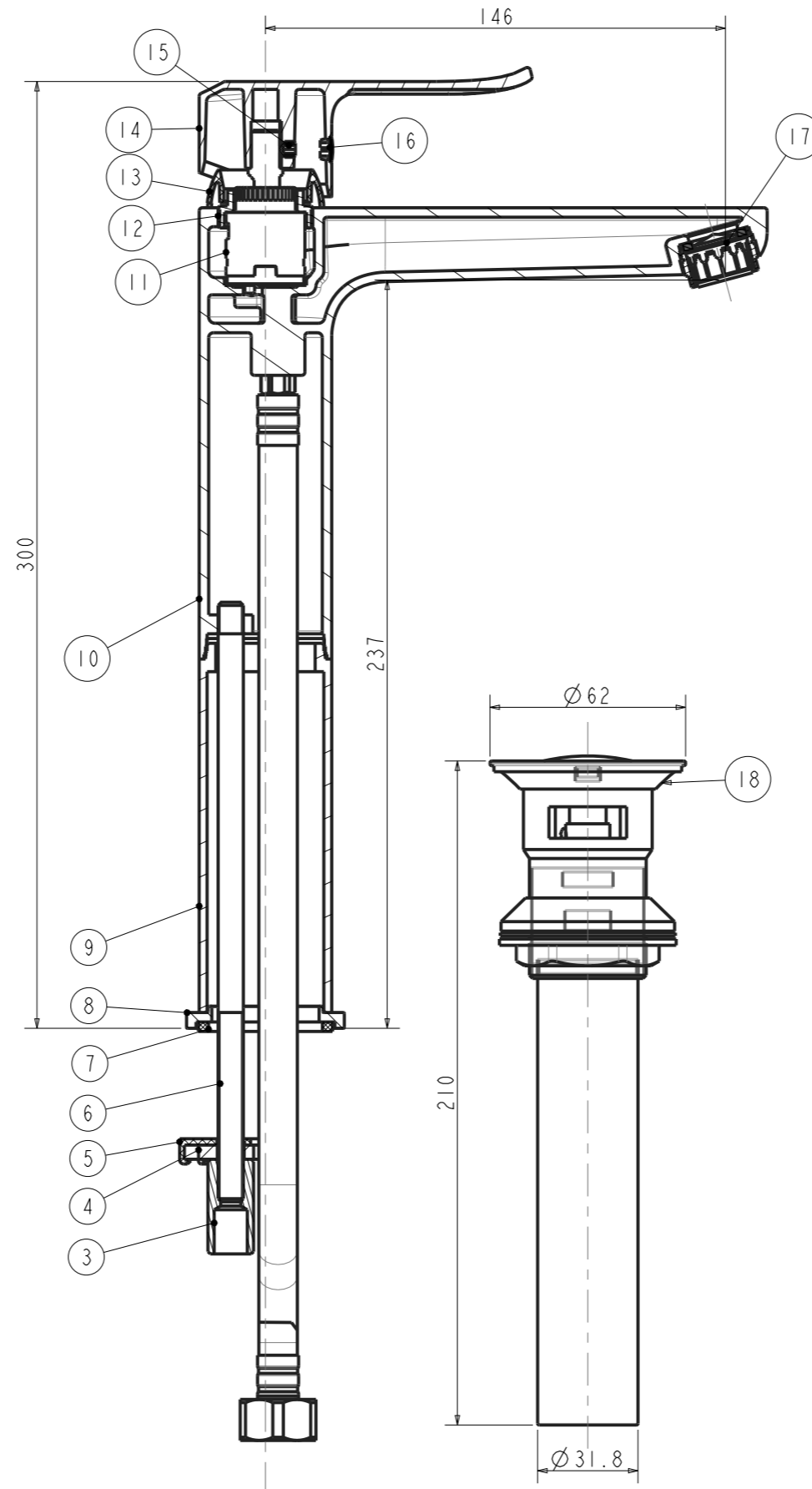
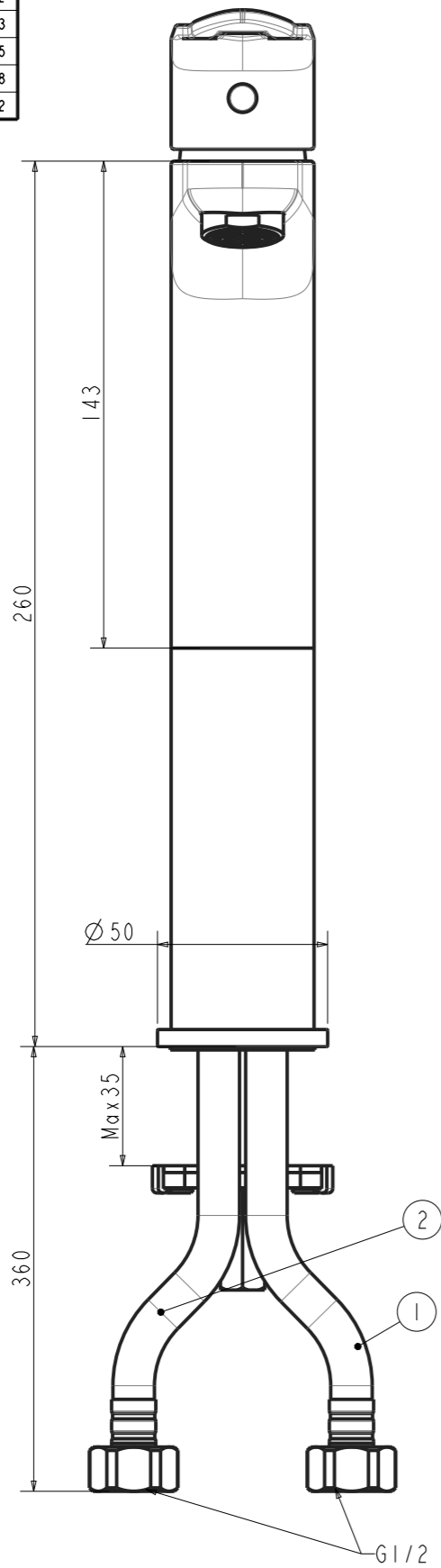


Tolerance, Unless Otherwise Stated, Is			
Above	0.5 to and including	6	±0.1
Excess	6 to and including	30	±0.2
Excess	30 to and including	120	±0.3
Excess	120 to and including	315	±0.5
Excess	315 to and including	1000	±0.8
Excess	1000 to and including	2000	±1.2



Technical requirements:

1. Cartridge tightening torque is 6 ~ 8 N.M, and the other torque is implemented according to the "WI09.1520 assembly torque specification".
2. O ring coated lubricating oil PMX200;
3. The finished product should meet GB18145 and WI10.0504 final inspection standard.

18	FF1-CN521X0019750B	PA type all copper POP-UP Drain	1	Assembly	Chrome
17	FF1-CN521A0001450B	Exposed Aerator M24X1	1	Assembly	Chrome
16	FF1-CN521Z00000086	Index Button for TONIC Fitting line	1	ABS	
15	FF1-CN521N00000228	Screw M5*6	1	SUS304	
14	FF1-CN521L00000091	Handle for Neo Modern Line	1	Hpd59-1	Chrome
13	FF1-CN521F00000041	Cover for 25# Cartridge	1	ABS	Chrome
12	FF1-CN521N00000045	Lock Nut for 25# cartridge	1	Hpd59-1	
11	FF1-CN521C00000011	25# Cartridge	1	Assembly	
10	FFZZ0703-10150BDPL	Body For Neo Modern SH SL Ves	1	GkMs60Fk	Chrome
9	FF1-CN521J00009050	Tube for Neo Modern Extended Faucet	1	ZZnAL4-1	Chrome
8	FF1-CN521W00000030	Agate Sgl-Hole Bottom Brass Washer	1	Hpd59-1	Chrome
7	FF1-CN521G00000324	Washer 42.5*36.1*3	1	NBR	
6	FF1-CN521Z00000191	screw bolt M8*190	1	SUS304	
5	FF1-CN521G00000238	Gasket(A911942)	1	NBR	
4	FF1-CN521J00000432	Iron Plate A923271 (BVBA)	1	Q235	galvanize
3	FF1-CN521N0008499S	Stainless steel nut M8X12	1	SUS304	
2	FF1-CN521T0005099P	Single hole inlet hose (PEX,red,600mm)	1	Assembly	
1	FF1-CN521T0005199P	Single hole inlet hose (PEX,blue,600mm)	1	Assembly	
NO.	PART NO.	PART NAME	QTY	MATERIAL	FINISH

DESIGNED			TITLE
CHECKED			REF
APPROVED			Neo Modern Extended Basin Mixer with Pop-up Drain
SCALE	MATERIAL	WEIGHT	DWG NO.
1:2	Assembly		FFAS0703-101500BC0

REV	DESCRIPTION	DATE	NAME

American Standard