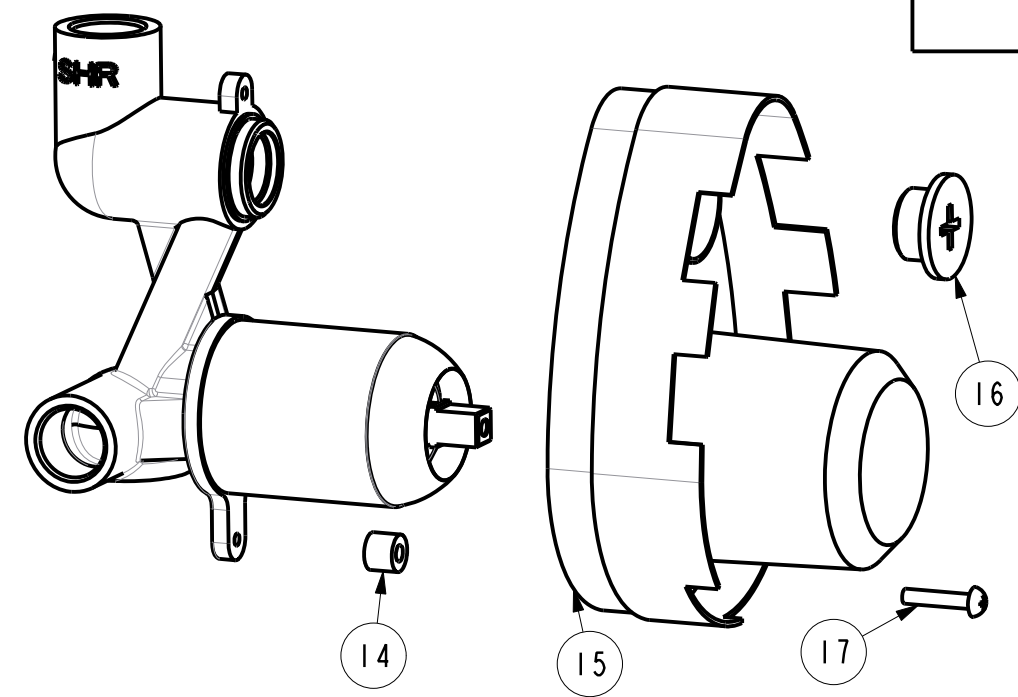
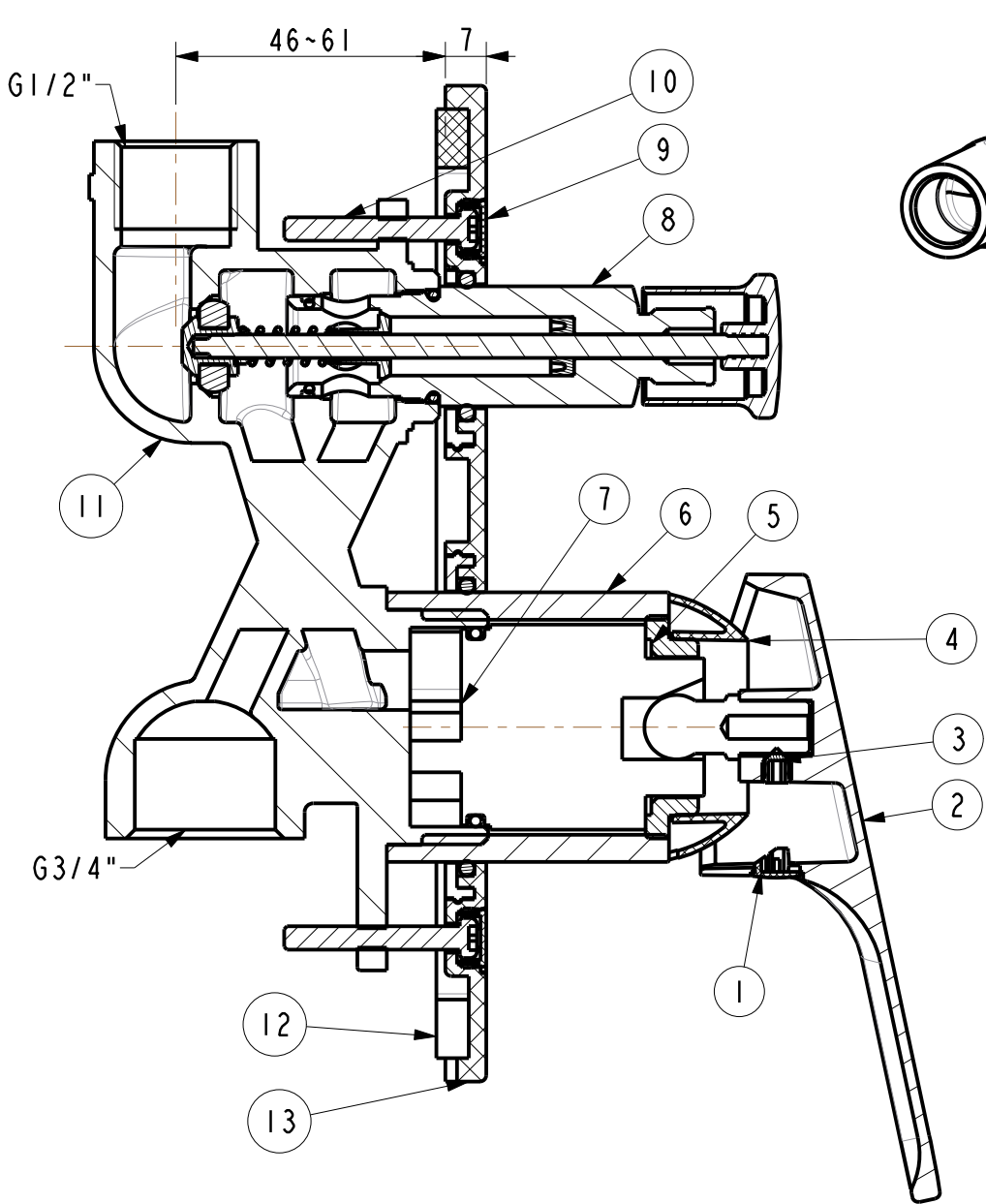
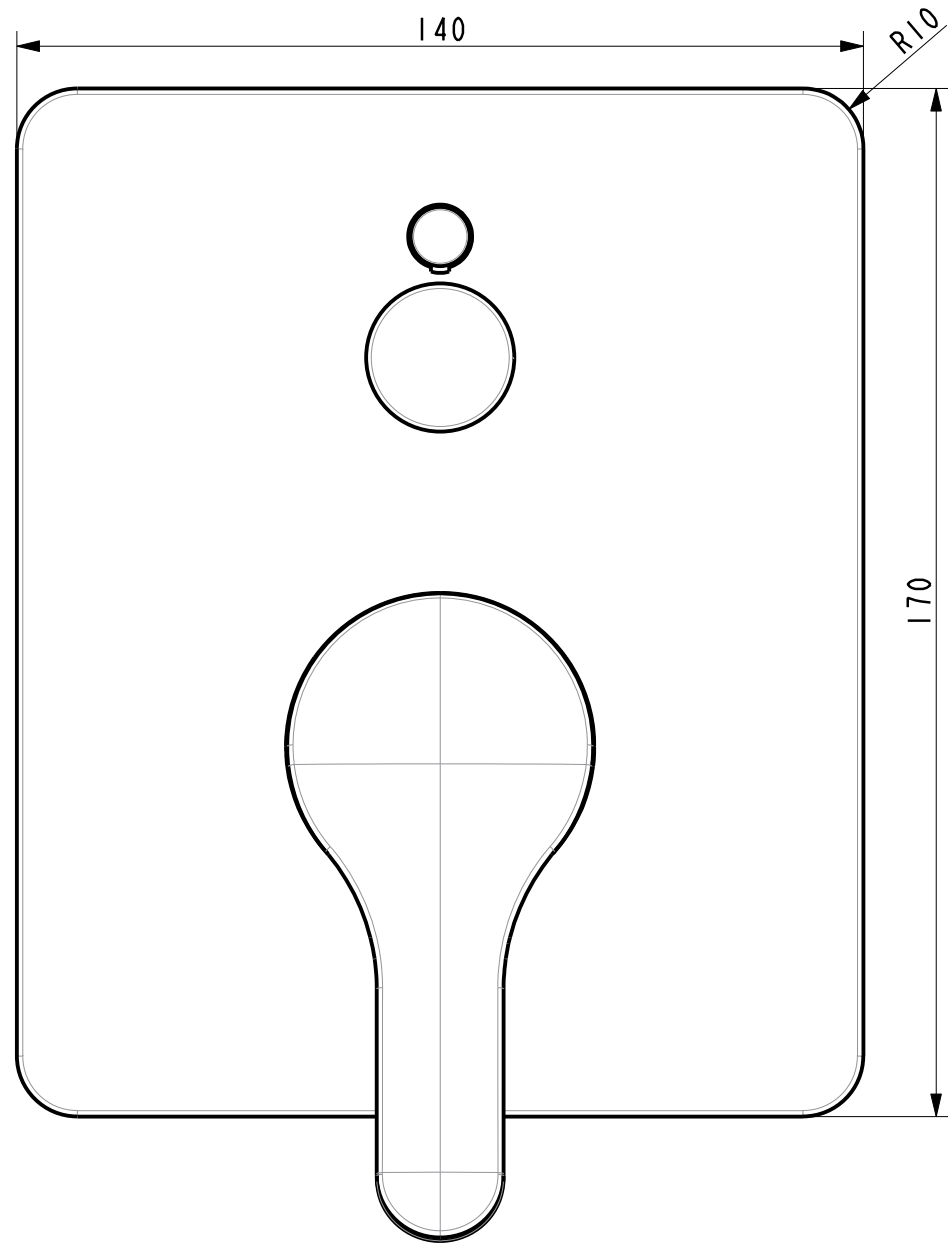


Tolerance, Unless Otherwise Stated, Is				
Above	0.5 to and including	6	±0.1	
Excess	6 to and including	30	±0.2	
Excess	30 to and including	120	±0.3	
Excess	120 to and including	315	±0.5	
Excess	315 to and including	1000	±0.8	
Excess	1000 to and including	2000	±1.2	



NO.	Part NO.	Name	QTY	Material	Remark
17	158K618253	Screw (M4X20)	1	SUS304	
16	15810806P4	Regent In-Wall Protect Cover (Blue)	1	PA	
15	1582241099	Protect Cover for Inwall (47#)	1	PA	
14	1582243999	Bushing	1	PA66	
13	158K651793	Escutcheon For Image In wall BnS (6#)	1	ABS	
12	FF1-CN521K00000901	Washer of sponge	1	E.V.A	
11	158D60054R	Body	1	DZR Brass	
10	1581839699	Screw	2	SUS304	
9	158K607676	Escutcheon Cap For Acacia I/W (6#)	2	ABS	
8	1590997850	Handle for Reversing Valve	1	HPb59-1	
	1585940299	CYLINDRICAL PIN Assembly	1	Assemble	
	1591148250	DELIVERY HOUSING, Cr	1	HPb59-1	
	1591195599	U-PACKING	1	NBR	
	158A912644	O-Ring 15.6*1.78 (A912644) (BLATnCr)	1	NBR	
	1592328499	GUIDE	1	POM	
	1581212799	O-Ring 13.5*1.5	1	NBR	
	1591573599	Spring	1	SUS304	
7	FF1-CN521C00001399	Cartridge	1	Assemble	
6	1582220050	Brass Bushing For Active Inwall	1	HPb59-1	
5	1580664199	Lock Nut for Minimalistic InWall	1	HPb59-1	
4	1580723350	CARTRIDGE COVER (35mm) FOR ACTIVE	1	ABS	
3	158A917376	Screw	1	SUS304	
2	158B916685	Handle for Concept Single Hole L	1	ZZnA14-1	
1	1580970499	Index Button for TONIC Fitting 1	1	ABS	

DESIGNED			TITLE
CHECKED			REF
APPROVED			Concept Round Concealed Bath & Shower Mixer
SCALE	MATERIAL	WEIGHT	DWG NO.
4:5			<i>American Standard</i>

REV	DESCRIPTION	DATE	NAME