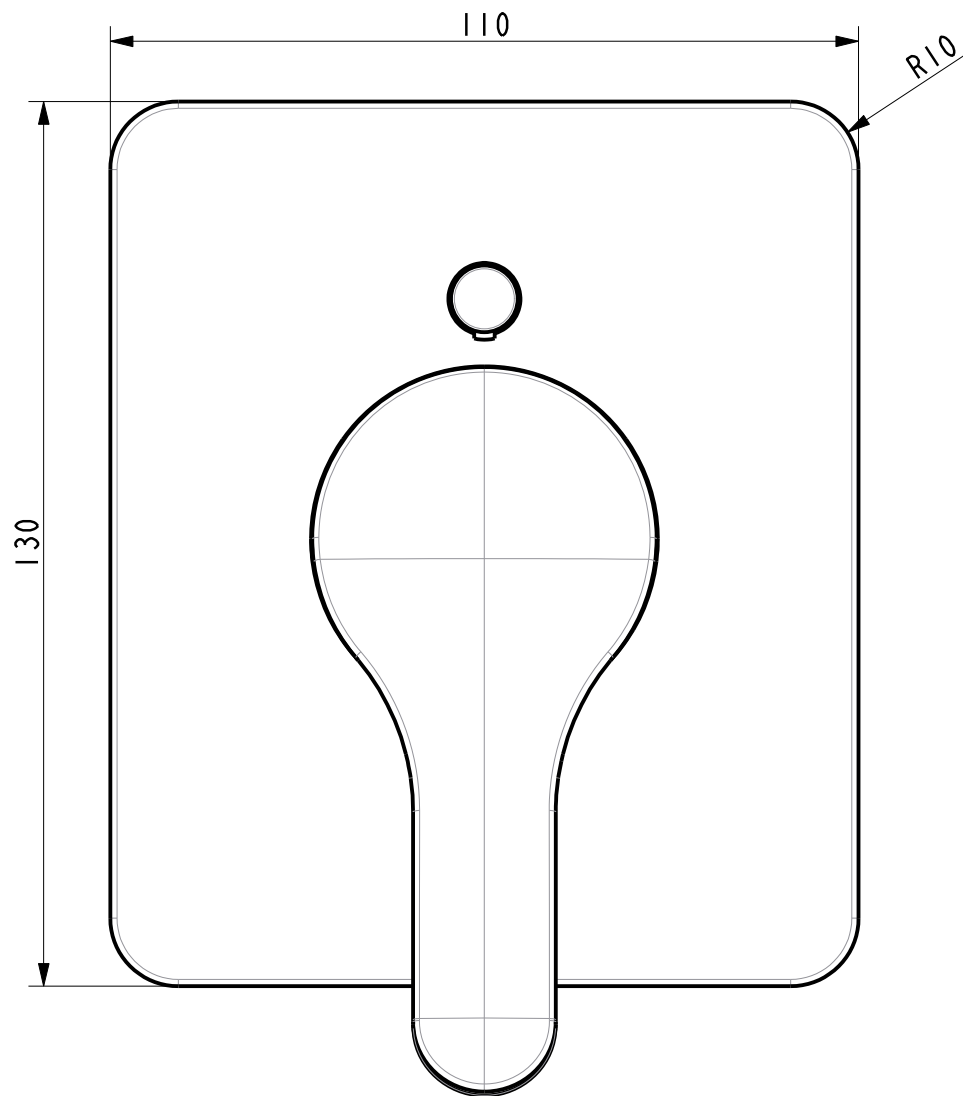
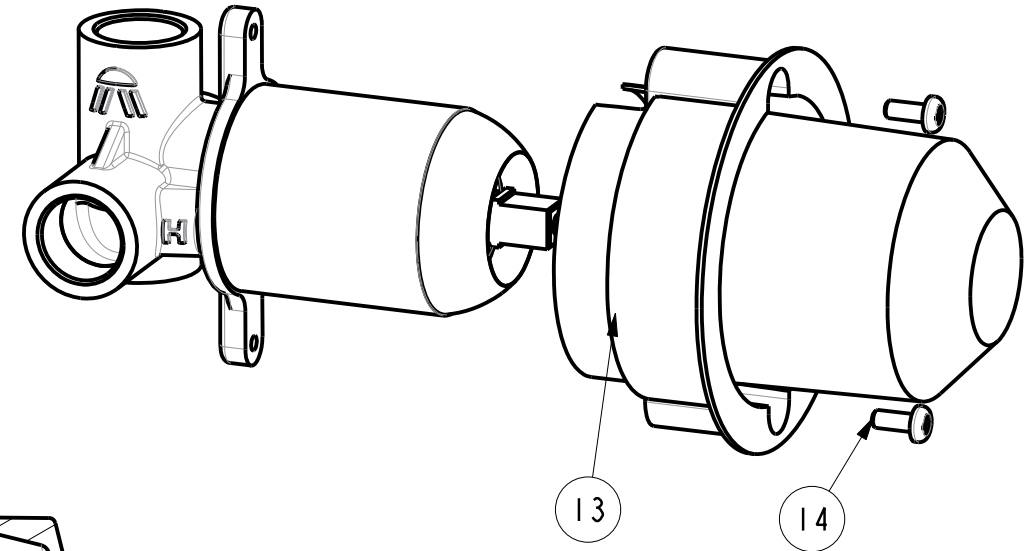
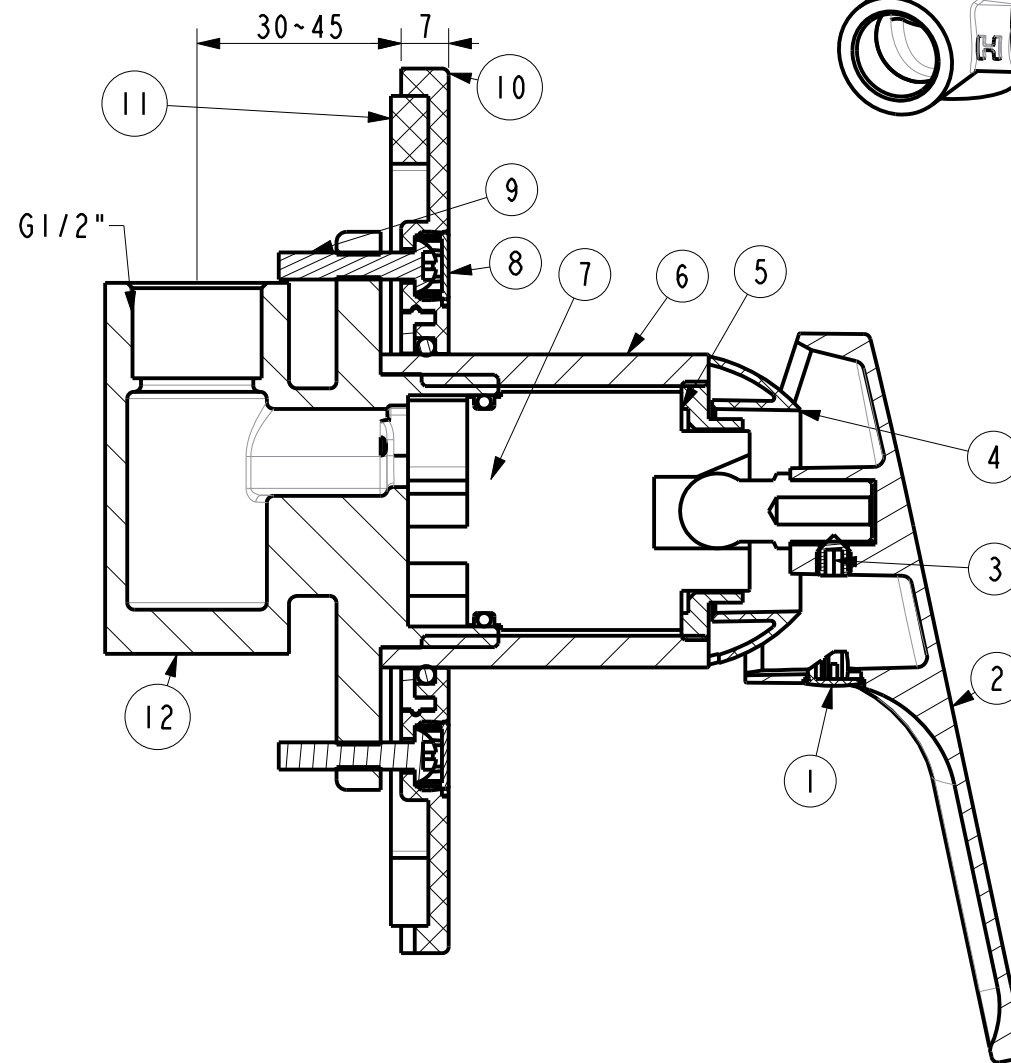


Tolerance, Unless Otherwise Stated, Is				
Above	0.5 to and including	6	±0.1	
Excess	6 to and including	30	±0.2	
Excess	30 to and including	120	±0.3	
Excess	120 to and including	315	±0.5	
Excess	315 to and including	1000	±0.8	
Excess	1000 to and including	2000	±1.2	



SCALE 0.900



NO.	Part NO.	Name	QTY	Material	Remark
14	15818609F4	2002 Screw (Zinc)	2	SUS304	
13	15822419P4	2002 Protect Cover (Blue)	1	PA	
12	158D6005RZ	Body For Agate Inwall Show	1	DZR Brass	
11	FF1-CN521K00000901	washer of sponge	1	E. V. A	
10	158K651792	Escutcheon For Image In wallShower On	1	ABS	
9	158K618253	Screw (MAX20)	2	SUS304	
8	158K607676	Escutcheon Cap For Acacia I/W (607676)	2	ABS	
7	FF1-CN521C00001399	Cartridge	1	Assemble	
6	1582220050	Brass Bushing For Active Inwall	1	HPb59-1	
5	1580664199	Lock Nut for Minimalistic InWall Bath	1	HPb59-1	
4	1580723350	CARTRIDGE COVER (35mm) FOR ACTIVE LIN	1	ABS	
3	158A917376	Screw	1	SUS304	
2	158B916685	Handle for Concept Single Hole Lava.	1	ZZnA14-1	
1	1580970499	Index Button for TONIC Fitting line	1	ABS	

DESIGNED	TITLE		
CHECKED	REF		
APPROVED	Concept Round Concealed Shower Mixer		
SCALE	MATERIAL	WEIGHT	DWG NO.
1:1			

American Standard

REV	DESCRIPTION	DATE	NAME