

DuoSTiX DuoSTiX Hand Shower (Matte Black)

Handshower

STYLE SEGMENT

- Modern

KEY SPECIFICATIONS

- Product Description: DuoSTiX Hand Shower (Matte Black) w/shower hose and holder
- Hand Shower Face Diameter: 23*66 mm
- Finish: Chrome
- Material: Plastic
- Flow Rate: 7.3 litre per minute
- Additional Components Included: shower hose and shower holder
- Hose Included: Yes



KEY TECHNOLOGIES AND FEATURES

HYGIENE

- Complies with American Standard Quality Standards

COMFORT

- Complies with American Standard Quality Standards

CONVENIENCE

- EasyClean

DURABILITY

- Complies with American Standard Quality Standards

SUSTAINABILITY

- Water-Saving

SAFETY

- Complies with American Standard Quality Standards

OTHERS

- NIL

STANDARDS AND CERTIFICATIONS

- W110.0406

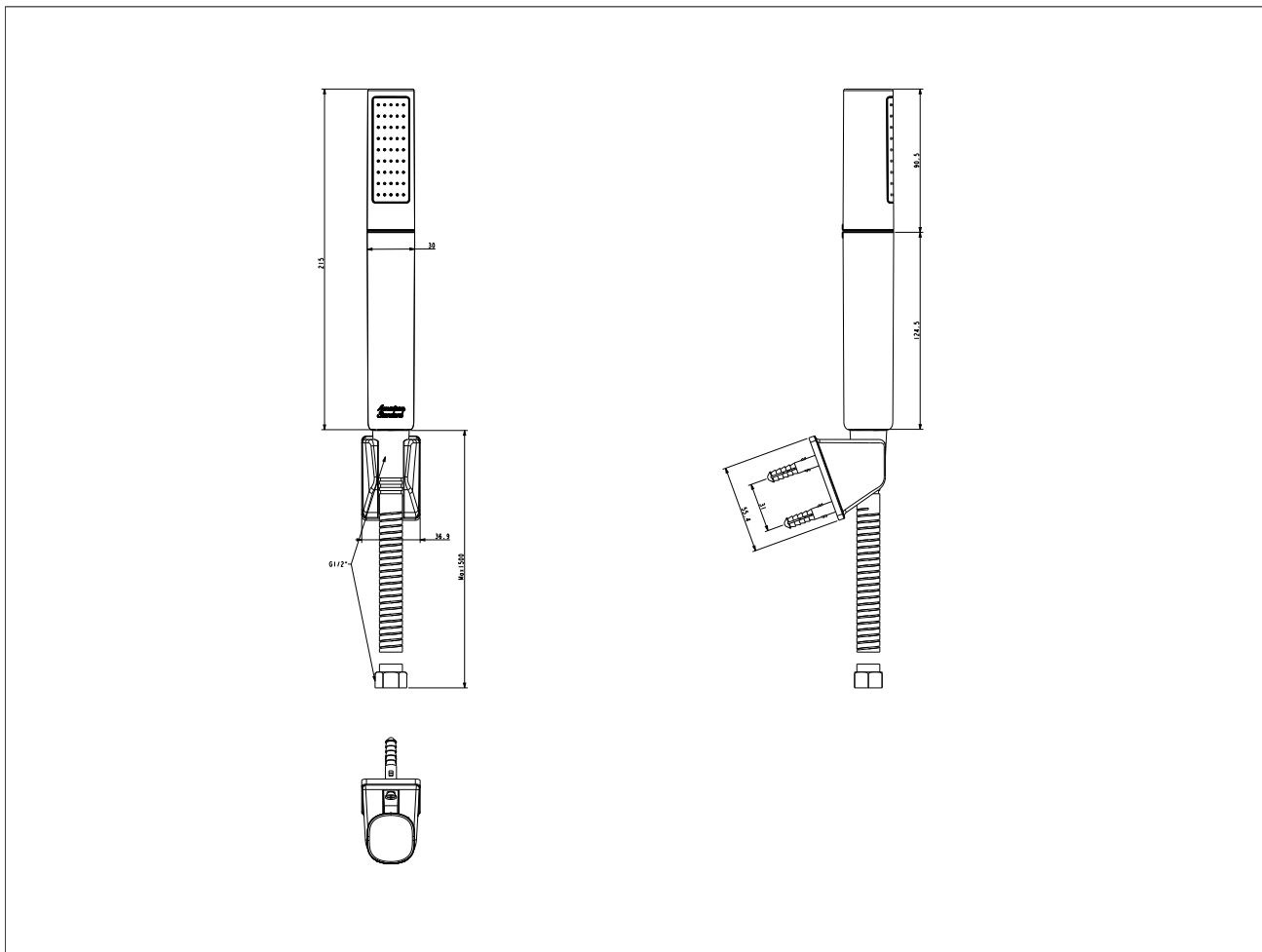
FFASS508-000440BF0

American Standard

DuoSTiX

DuoSTiX Hand Shower (Matte Black)

Handshower



DuoSTiX

DuoSTiX Hand Shower (Matte Black)

Handshower

Product	Description	DuoSTiX Hand Shower (Matte Black) w/shower hose and holder
	Weight (kg)	0.4 kg
	Dimensions (mm)	32*30*215 mm
	Finish	Chrome
	Material	Plastic
	Flow Rate	7.3 litre per minute
Hand Shower	Face Diameter (mm)	23*66 mm
Components	Additional Components Included	shower hose and shower holder
	Hose Included	Yes
	Includes Trim Kit	Yes
	Include Shower Accessories	Yes