

1011392080

Loven

Loven OP exp. 305mm w/o SC IC,PH

STYLE SEGMENT

- Modern

KEY SPECIFICATIONS

- Product Dimensions: 720x372x705 mm
- Installation Type: Floor Standing
- Flushing System: Double Vortex
- Flushing Platform: Washdown
- Flushing Type: Dual flush
- Flushing Volume: 4.5/3 litre per flush
- Trapway: S Trap
- Rough In: 305 mm
- Trapway Design: Exposed
- Bowl Shape: Elongated
- Water Pressure, Dynamic (MPa): 0.07 Megapascal
- Water Pressure, Static (MPa): 0.75
- Material: Vitreous China
- Color Availability: White Heat II


SHIPPING WEIGHT

- Net Weight: 50.3 kg
- Gross Weight: 50.3 kg

KEY TECHNOLOGIES AND FEATURES**HYGIENE**

- ComfortClean

COMFORT

- Complies with American Standard Quality Standards

CONVENIENCE

- Complies with American Standard Quality Standards

DURABILITY

- Complies with American Standard Quality Standards

SUSTAINABILITY

- Complies with American Standard Quality Standards

SAFETY

- Complies with American Standard Quality Standards

OTHERS

- NIL

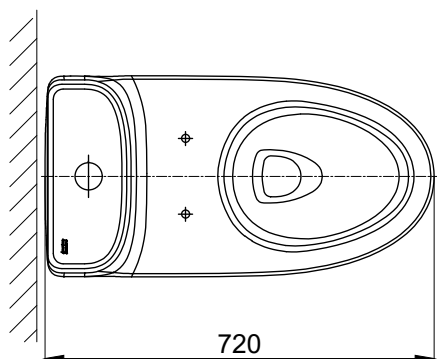
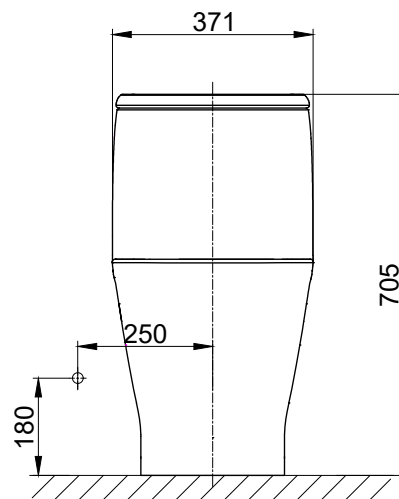
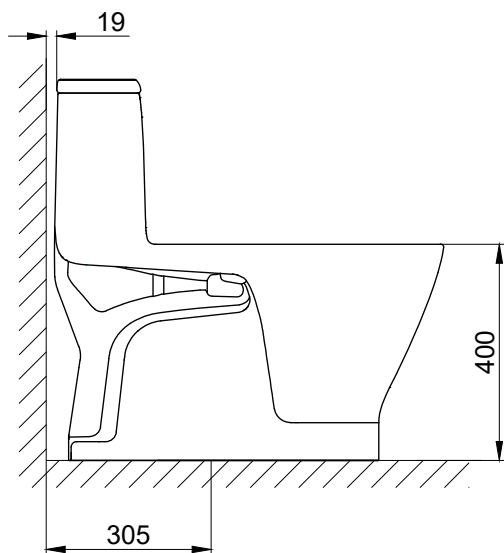
STANDARDS AND CERTIFICATIONS

- GB/T 4897-2015

1011392080

Loven

Loven OP exp. 305mm w/o SC IC,PH



1011392080

Loven

Loven OP exp. 305mm w/o SC IC,PH

Item	Description	Loven OP exp. 305mm w/o SC IC,PH
Dimensions	Product (mm)	720x372x705 mm
Material & Color	Material	Vitreous China
	Color	White Heat II
Bowl	Shape	Elongated
Trapway	Type	S Trap
	Rough-in (mm)	305 mm
	Design	Exposed
Flushing	System	Double Vortex
	Type	Dual flush
	Platform	Washdown
	Volume	4.5/3 litre per flush
Water Pressure	Dynamic (MPa)	0.07 Megapascal
	Static (MPa)	0.75
Installation	Type	Floor Standing

1011392080

Loven

Loven OP exp. 305mm w/o SC IC,PH

Components	Toilet Seat Included	No
------------	----------------------	----

Shipping	Net Weight (kg)	50.3 kg
	Gross Weight (kg)	50.3 kg
	Product Weight (kg)	46 kg
	Dimensions (mm)	743x395x753 mm