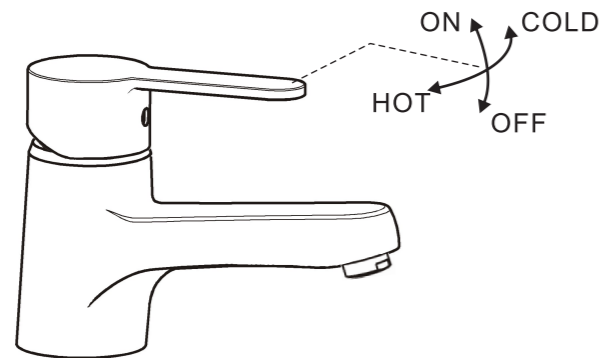


Thank you for selecting American-Standard - the benchmark of fine quality for over 100 years.
To ensure that your installation proceeds smoothly--please read these instructions carefully before you begin.

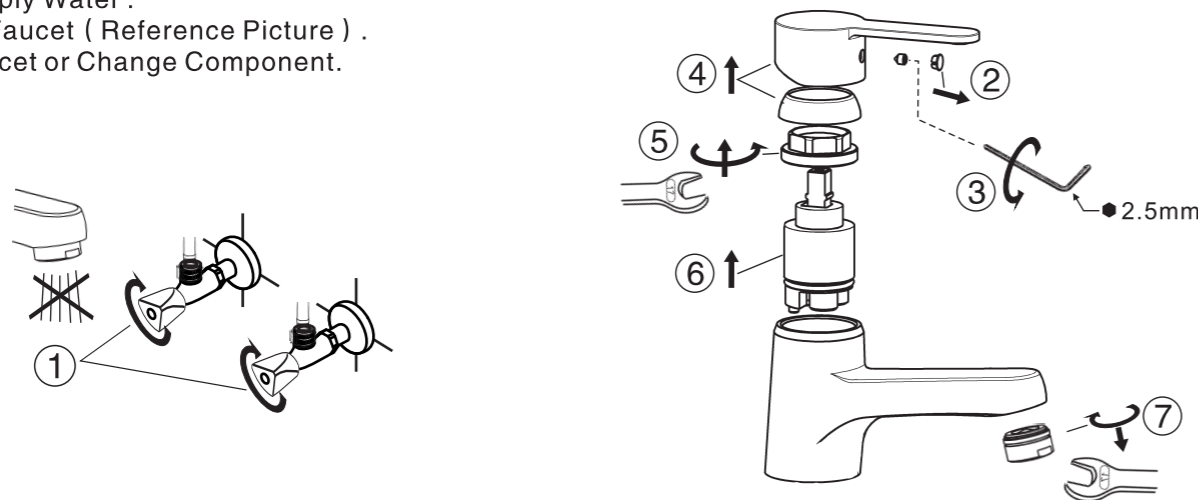
American Standard

5 Usage



6 Maintenance

1. Close Supply Water .
2. Open Up Faucet (Reference Picture) .
3. Clean Faucet or Change Component.
4. Reinstall .



7 Trouble Shooting

Trouble	Checkpoint	Contents	How to do
Poor flow rate	Aerator	Check if there is impurity or not	Remove the impurity
	Angle valve	Check if the water from angle valve is enough or not	Increase water supply
	Flexible hose	Check if hose is twisted	Untwist the hose
Leakage	Cartridge nut	Check if the cartridge nut get loosed	Tighten the nut
	Connection in faucet tube	Check if the connection is with the washer or not Check if the the washer is broken or not	Add the washer Replace the washer
Deviant Temperature	Supply system	Check if the water from angle valve is enough or not	Increase water supply
		Check if the supply pipe connected correct or not	Connect the hot and cold water pipe correctly

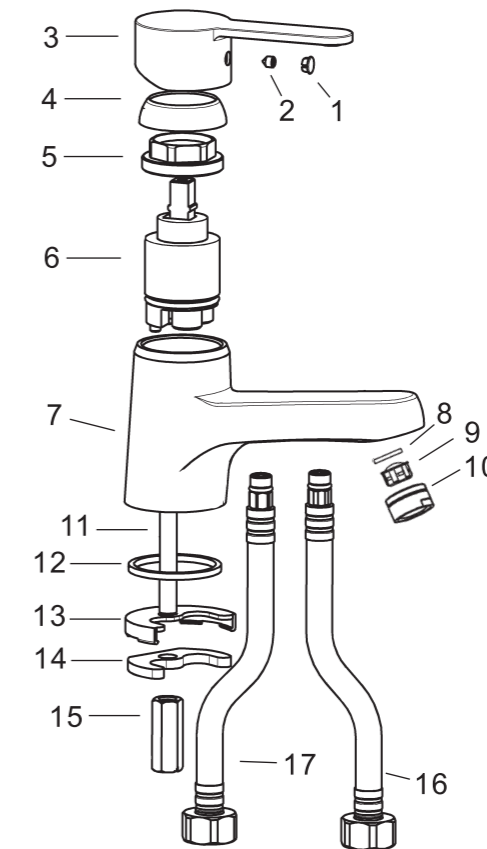
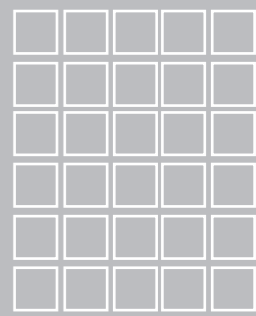
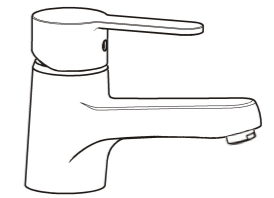


Attention:
Please leave the manual to the customer after installation is finished

FFAS6501-102500BF0 (WF-6501.102.50)

Seva Single Hole Lava. Faucet

Installation & Operation Instruction



PARTS LIST

No.	Part Name	Q'ty	No.	Part Name	Q'ty
1	Index Button	1	14	Washer	1
2	Screw	1	15	Nut	1
3	Handle	1	16	Hose (Blue)	1
4	Cap	1	17	Hose (Red)	1
5	Nut	1			
6	Cartridge	1			
7	Body	1			
8	Washer	1			
9	Aerator	1			
10	Aerator Housing	1			
11	Bolt	1			
12	Washer	1			
13	Washer	1			

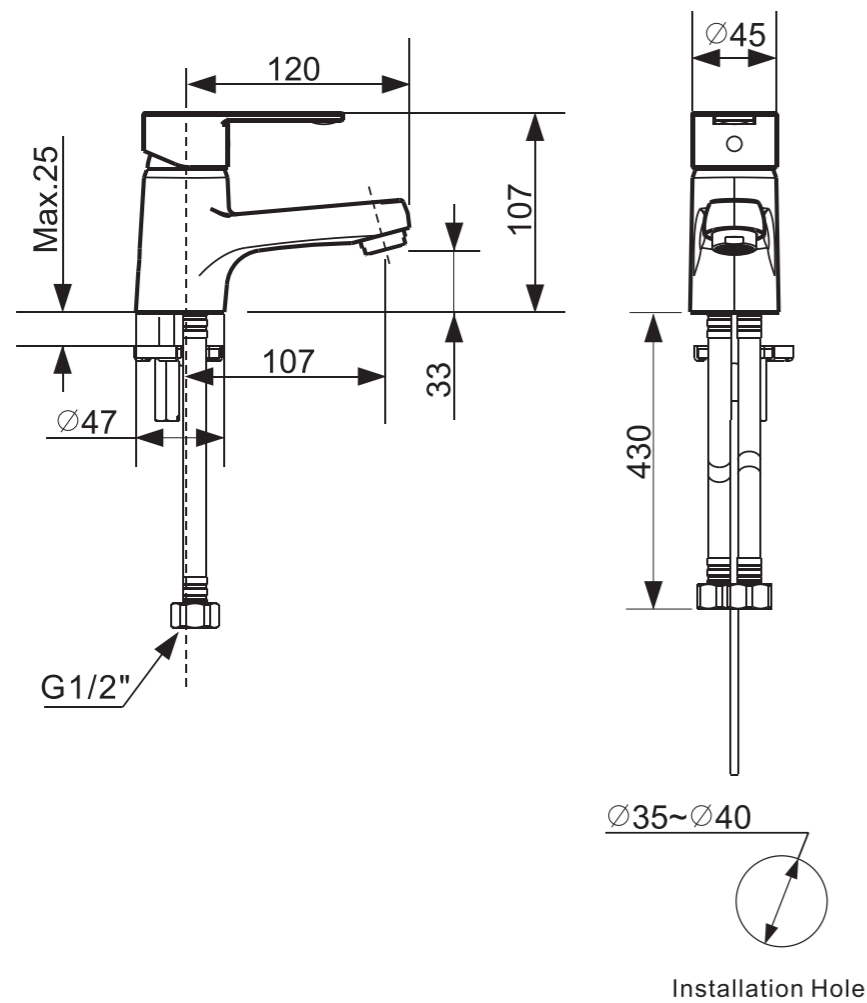
1 Note

*Remove all impurity in pipes before beginning to avoid clogging. Connect faucet pipes correctly. That is, the flexible hose with red mark is for HOT water, while the one with blue mark is for COLD water.
* Check installation distances in the Dimension diagram to ensure correct installation.

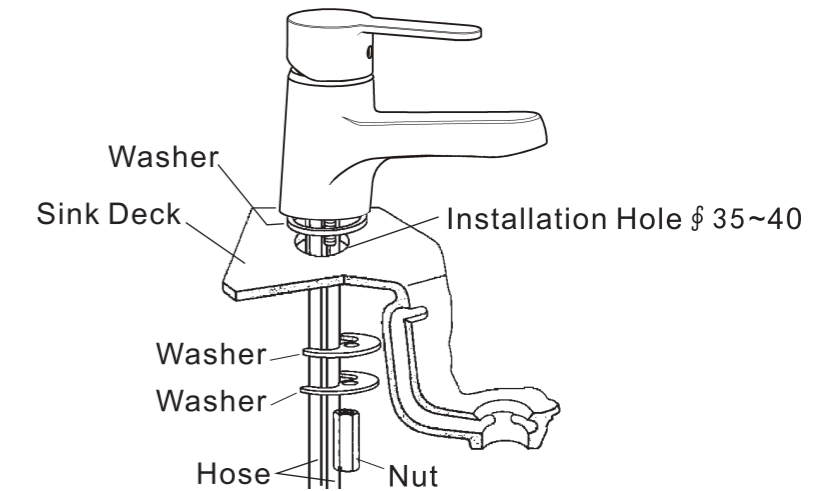
Conditions for use

- * Recommended water pressure condition: 0.1~0.5Mpa.
- * Environment Temperature: 1~55°C
- * Not for use as a steam outlet.

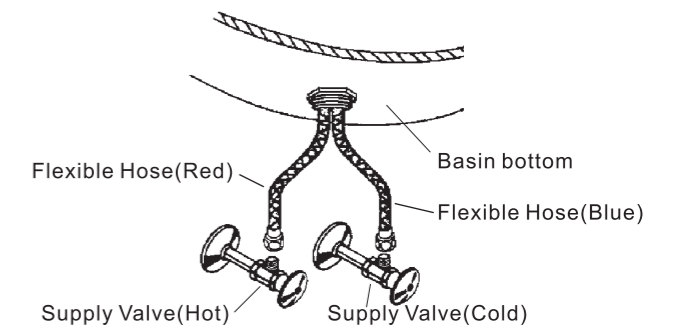
**When in the process of installation, grab the whole body.
Do not grab handle only.**

2 Dimension**3** Installation**Installing Faucet**

* Insert the Hose to install hole, then reset the Nut and Washer, fix the faucet by Lock Nut.

**Connecting Supply**

* Connect Flexible Hose with Supply Valve using Coupling Nut.
* The hot water pipe should be connected to the left side, and the cold water pipe to the right side.

**4** Test

* Move handle down to turn off the valve. Turn on supply angle valve to check all connections if there is leakage.
* Operate handle up and down, left and right to flush water ways thoroughly.