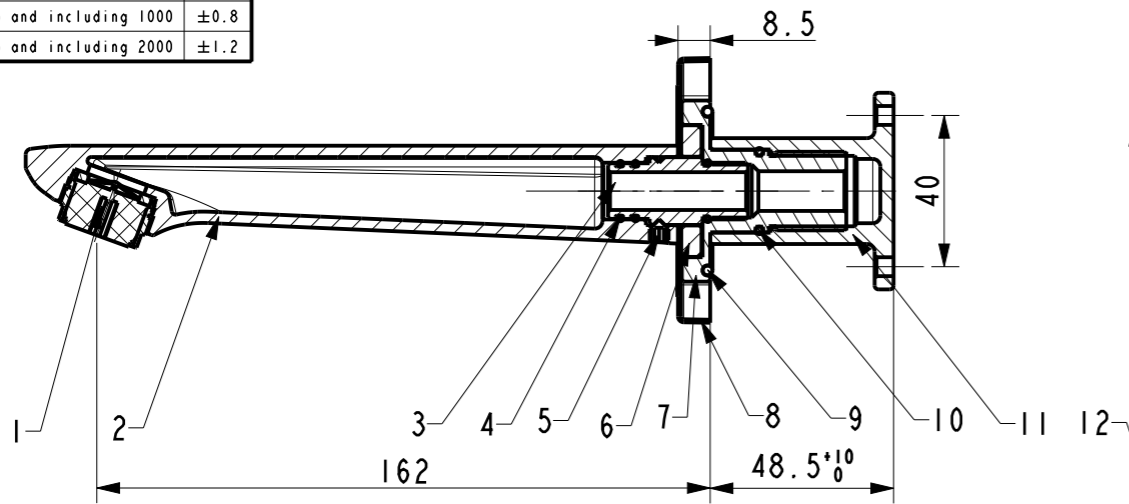
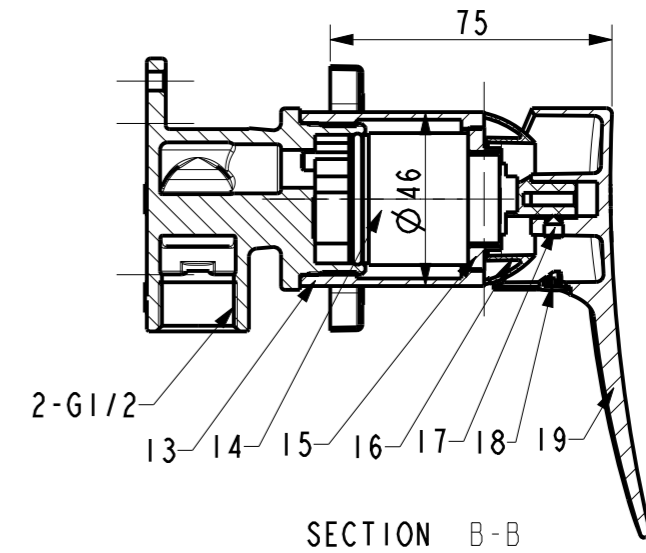
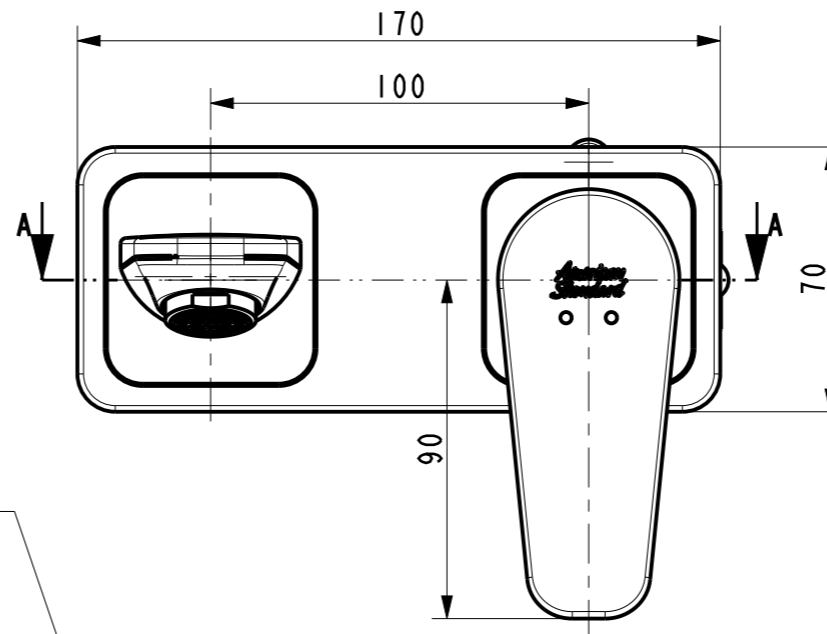


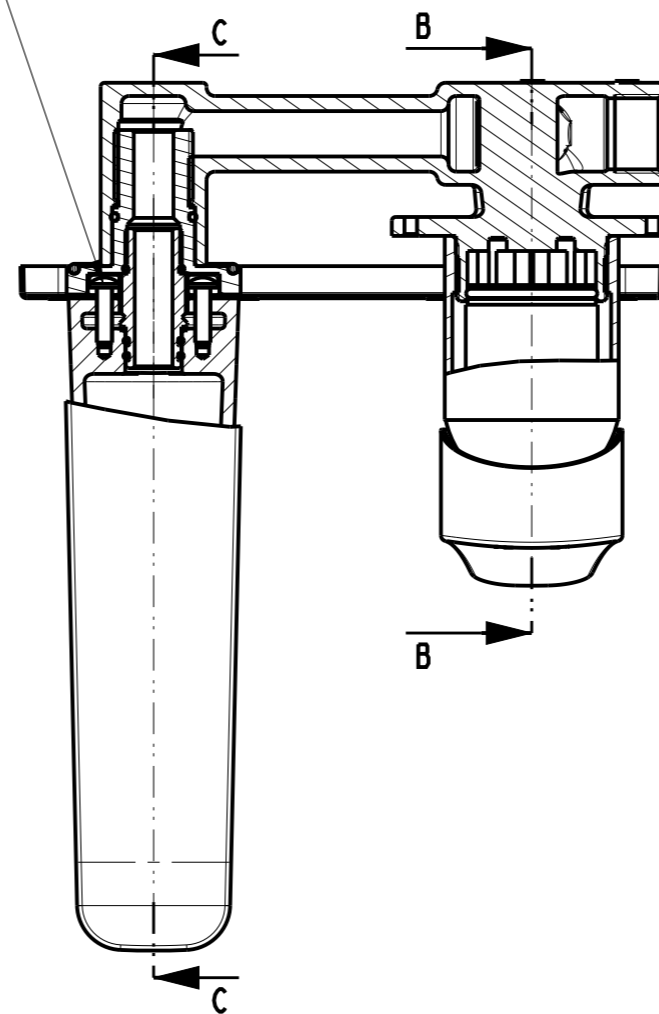
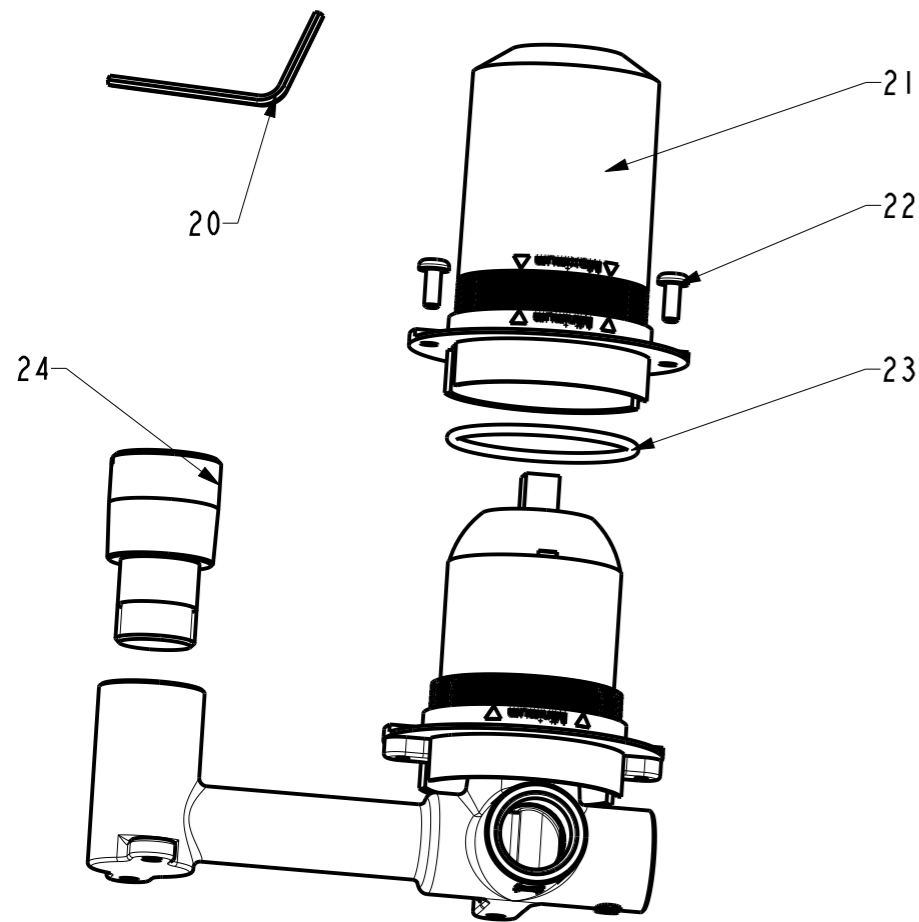
Tolerance, Unless Otherwise Stated, Is				
Above	0.5 to and including	6	±0.1	
Excess	6 to and including	30	±0.2	
Excess	30 to and including	120	±0.3	
Excess	120 to and including	315	±0.5	
Excess	315 to and including	1000	±0.8	
Excess	1000 to and including	2000	±1.2	



SECTION C-C



SECTION B-B



SECTION A-A

24	FF1-CN521Z00000310	Plug	1	Nylon	
23	FF1-CN521G00000334	O-Ring(45. 6X2. 6)	1	NBR	
22	FF1-CN521N00000194	2002 Screw	2	SUS 304	
21	FF1-CN521Z00000208	Protective Sleeve	1	P.P	
20	FF1-CN521Z00000254	In-Hex Wrench	1	Q235-A	
19	FF1-CN521L00000045	Handle	1	ZZnA14-1	Chrome
18	FF1-CN521Z00000086	Index Button	1	ABS	
17	FF1-CN521N00000228	Screw M5*6	1	SUS 304	
16	FF1-CN521F00000026	CARTRIDGE COVER	1	ABS	Chrome
15	FF1-CN521N00000091	Lock Nut	1	Hpb59-1	
14	FF1-CN521C00000018	35# High floor Cartridge	1	Assembly	
13	FF1-CN521J00000305	Brass Bushing For Active I	1	Hpb59-1	Chrome
12	FF1-CN521N00000165	Screw M4*15	1	SUS 304	
11	FFZZ0904-10150ZDMC	Body	1	GkMs60Fk	
10	FF1-CN521G00000251	O Ring φ 17*2	1	NBR	
9	FF1-CN521G00000361	O-RING-39. 34*2. 62	1	NBR	
8	FF1-CN521F00000195	Escutcheon	1	H62	Chrome
7	FF1-CN521J00000304	Connect plate	1	Hpb59-1	
6	FF1-CN521F00000015	Fixing plate	1	Hpb59-1	
5	FF1-CN521N00000228	Screw M5*6	1	SUS 304	
4	FF1-CN521G00000289	ORing φ 11*φ 1. 5	3	NBR	
3	FF1-CN521J00000370	Connector	1	Hpb59-1	
2	FFZZ0904-10150BPPL	Milano Tub Spout	1	GkMs60Fk	Chrome
1	FF1-CN521A00000043	Aerator	1	Assembly	
NO.	PART NO.	PART NAME	QTY	MATERIAL	FINISH

DESIGNED			TITLE
CHECKED			REF
APPROVED			Milano Wall Mount Basin Mixer
SCALE	MATERIAL	WEIGHT	DWG NO.
1:2	Assembly		FFAS0904-102501BF0

American Standard

REV	DESCRIPTION	DATE	NAME