

FFAS1300-601DA0BFO

Acacia\_test

A-E deck-mounted B&S basin mixer\_PWS

#### STYLE SEGMENT

- Modern

#### KEY SPECIFICATIONS

- Product Description: Acacia E Deck mounted B&S Faucet
- Bathroom Faucet Type: Bath & Shower
- Colour: Warm Sunset
- Hand Shower Included: Yes
- Flow Rate: Hand Shower: 5.76, Spout: 9.72



#### SHIPPING WEIGHT

- Net Weight: Contact us for more information
- Gross Weight: Contact us for more information

#### KEY TECHNOLOGIES AND FEATURES

##### HYGIENE

- Complies with American Standard Quality Standards

##### COMFORT

- Comfort Angle
- ComfortMove

##### CONVENIENCE

- EasyClean

##### DURABILITY

- Durashine

##### SUSTAINABILITY

- Airnergize

##### SAFETY

- Complies with American Standard Quality Standards

##### OTHERS

- NIL

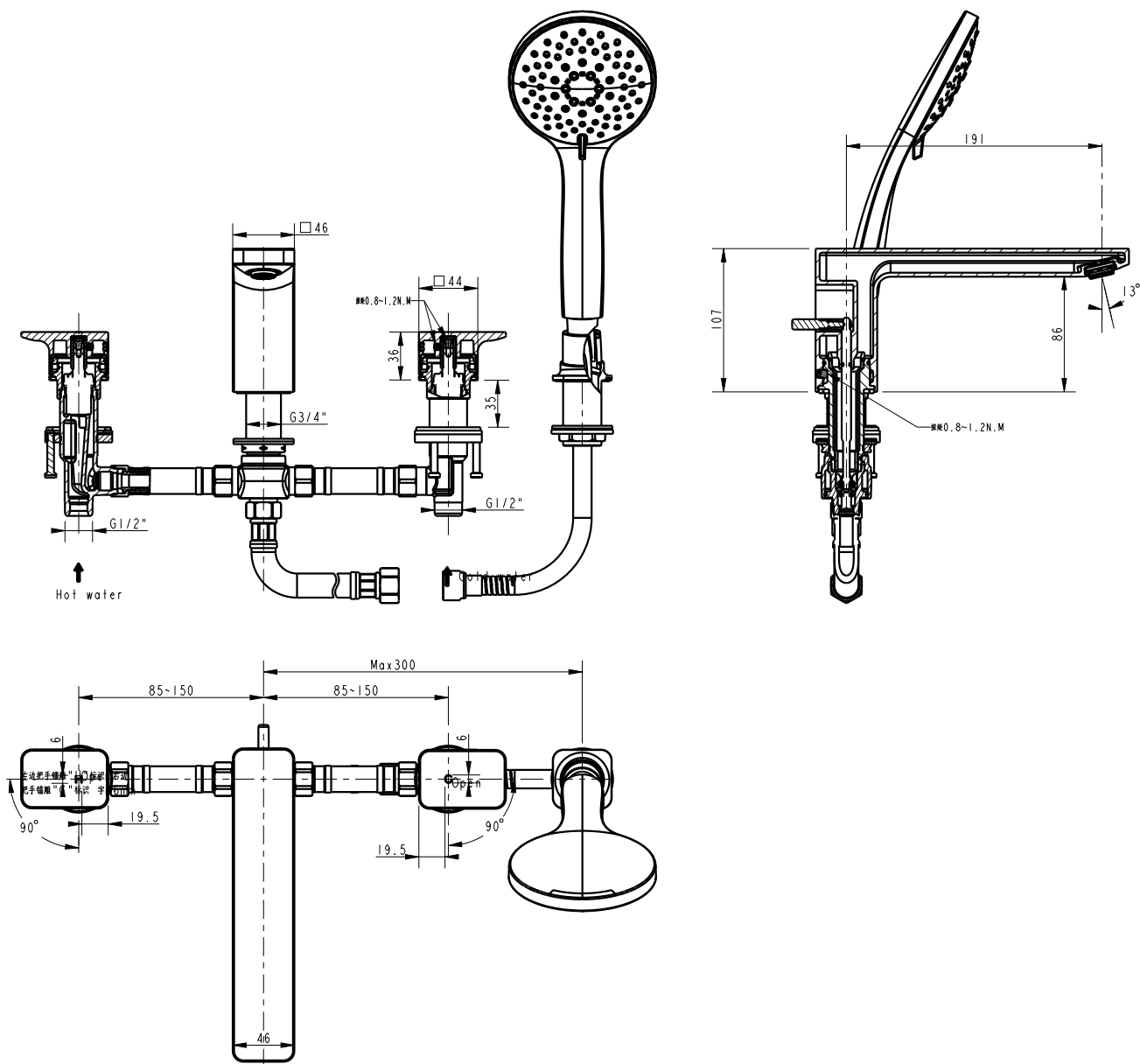
#### STANDARDS AND CERTIFICATIONS

- GB 18145-2014

FFAS1300-601DA0BFO

Acacia\_test

A-E deck-mounted B&S basin mixer\_PWS



FFAS1300-601DA0BFO

Acacia\_test

A-E deck-mounted B&S basin mixer\_PWS

|                             |                   |                                  |
|-----------------------------|-------------------|----------------------------------|
| <b>Product</b>              | Description       | Acacia E Deck mounted B&S Faucet |
|                             | Weight (kg)       | 4.8                              |
|                             | Dimensions (mm)   | 460 x 260 x 90                   |
|                             | Finish            | PVD                              |
|                             | Flow Rate         | Hand Shower: 5.76, Spout: 9.72   |
|                             | Mounting Location | Deck Mount                       |
| <b>Material &amp; Color</b> | Material          | Brass                            |
|                             | Color             | Warm Sunset                      |
| <b>Bathroom Faucet</b>      | Type              | Bath & Shower                    |
| <b>Faucet</b>               | Type              | Mixer                            |
| <b>Connection</b>           | Size (mm)         | 21                               |
|                             | Size (inches)     | G1/2                             |
| <b>Handle</b>               | Material          | Zinc Die Cast                    |
|                             | Type              | Lever                            |
|                             | No. of Handles    | 2                                |

FFAS1300-601DA0BFO

Acacia\_test

A-E deck-mounted B&S basin mixer\_PWS

|                     |                          |             |
|---------------------|--------------------------|-------------|
| <b>Components</b>   | Hand Shower Included     | Yes         |
|                     | Included                 | Shower kits |
|                     | Excluded                 | N/A         |
| <b>Installation</b> | Number of Holes Required | 4           |
| <b>Valve</b>        | Type                     | Ceramic     |