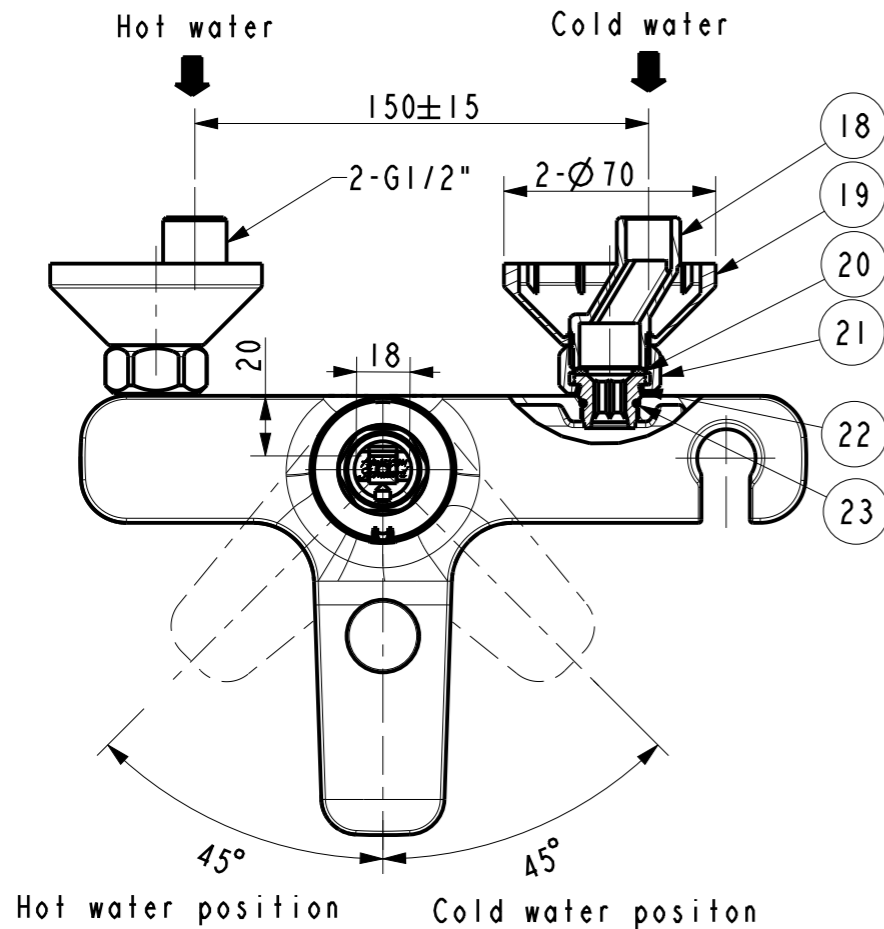
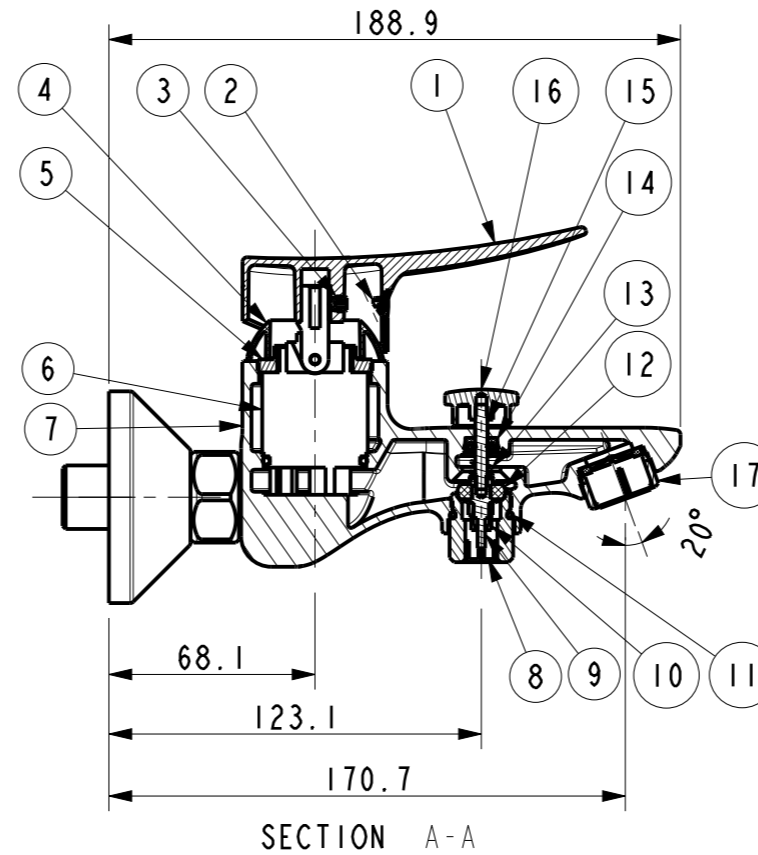
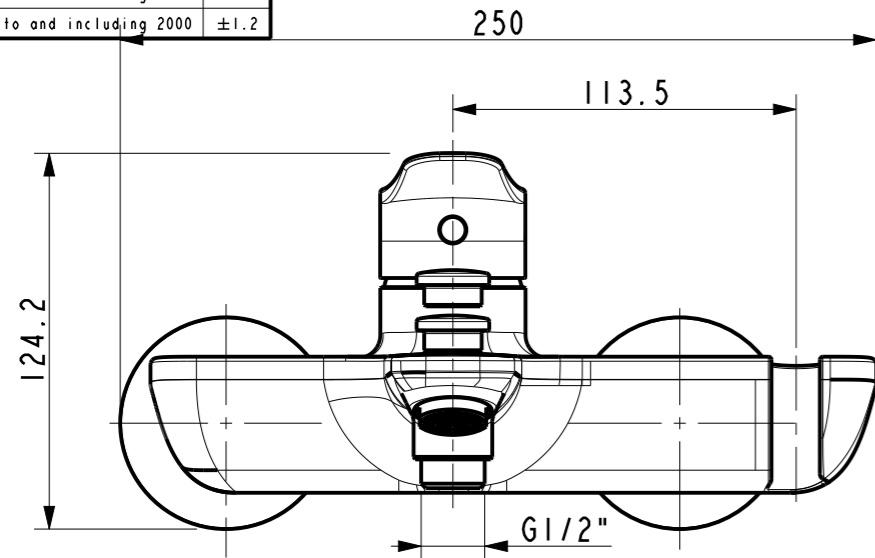


Tolerance, Unless Otherwise Stated, Is			
Above	0.5 to and including	6	±0.1
Excess	6 to and including	30	±0.2
Excess	30 to and including	120	±0.3
Excess	120 to and including	315	±0.5
Excess	315 to and including	1000	±0.8
Excess	1000 to and including	2000	±1.2



NO.	Component Code.	Describe	Qty.	Material	Remark
26	FF1-CN521T00000025	Shower Hose (1.5M)	1	Assembly	
25	FF1-CN521H00000001	Shower Hanger (M40280)	1	Assembly	
24	FF1-CN521H00000076	Lamoda 5-functions Hand Shower	1	Assembly	
23	FF1-CN521G00000112	O-Ring $\phi 15.6 \times 1.78$	2	NBR70	
22	FF1-CN521W00000048	THREADED NIPPLE, N	2	SUS304	
21	FF1-CN521N00000291	NUT-G3/4inch, Cr	2	Hpb59-1	
20	FF1-CN521G00000341	Washer $\phi 24 \times \phi 15 \times 2$ (A913204)	2	NBR70	
19	FF1-CN521F00000094	2000 Escutcheon (Cr)	2	ABS	
18	FF1-CN521J00000242	Small S Con Tube (Cr)	2	SUS304	
17	FF1-CN521A00000050	Aerator (NPL_01.2413.0)	1	Assembly	
16	FF1-CN521J00000495	Button of Diverter for Acacia	1	Hpb59-1	
15	FF1-CN521J00000504	Spinde of Diverter for Acacia	1	Hpb59-1	
14	FF1-CN521G00000325	U-Packing (12x4.5x3.9) (k611058)	1	NBR70	
13	FF1-CN521Z00000414	Spring	1	SUS304	
12	FF1-CN521G00000347	RUBBER GASKET $\phi 15.8 \times 5$	1	NBR70	
11	FF1-CN521G00000152	O Ring $\phi 16 \times 2$ (612145)	1	NBR70	
10	FF1-CN521G00000338	Washer	1	PA66	
9	FF1-CN521J00000499	Seat of Diverter for Acacia	1	Hpb59-1	
8	FF1-CN521J00000517	Connect Nut	1	Hpb59-1	
7	FFZZ0911-60150BDPL	Body for Milano Exposed BnS Faucet	1	GkMs60Fk	
6	FF1-CN521C00000018	35# High floor Cartridge	1	Assembly	
5	FF1-CN521N00000091	Lock Nut for Minimalistic (603275)	1	Hpb59-1	
4	FF1-CN521F00000026	Cartridge Cover For Active Exposed BnS	1	ABS	
3	FF1-CN521N00001099	In-Hex Screw M5x6 (Machine)	1	SUS304	
2	FF1-CN521Z00000086	Index Button for TONIC Fitting line	1	ABS	
1	FF1-CN521L00000046	Handle for New Mass SH (Type B)	1	ZZnA14-1	

DESIGNED	TITLE		
CHECKED	REF Milano Exposed Bath & Shower Mixer		
APPROVED			
SCALE	MATERIAL	WEIGHT	DWG NO.
2:5	Assembly		FFAS0911-602501BF0

REV	DESCRIPTION	DATE	NAME

**American Standard**