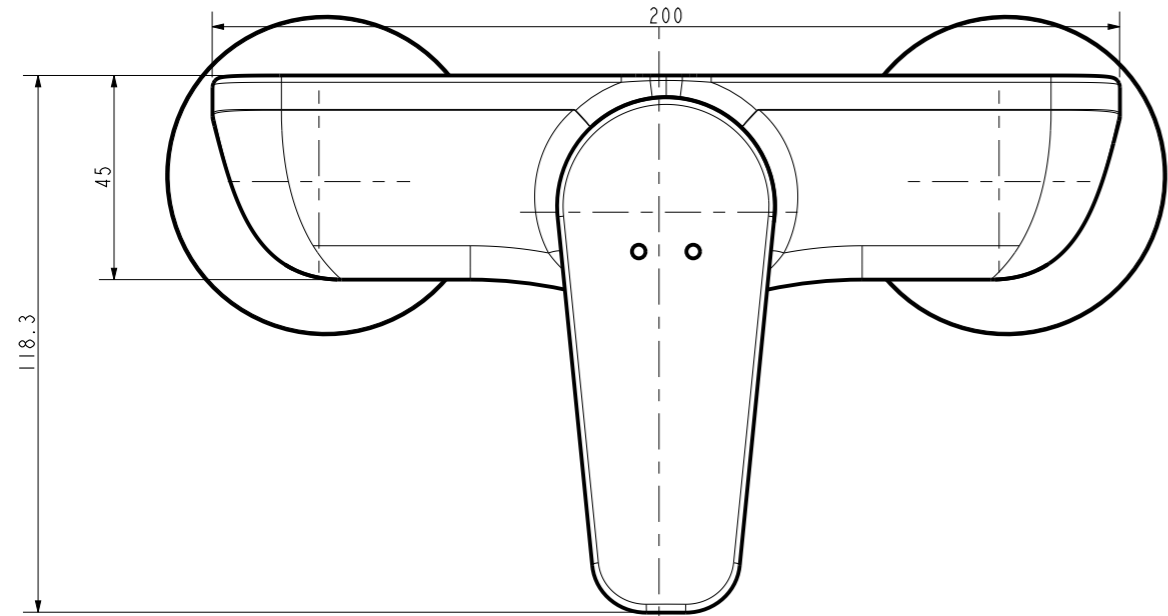
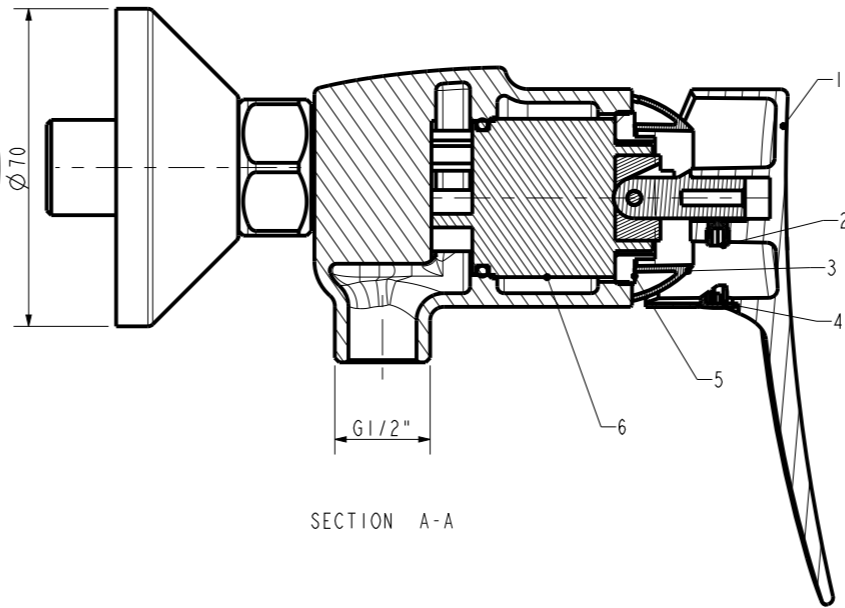


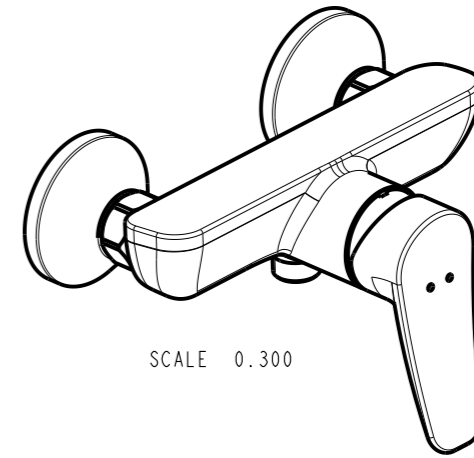
Tolerance, Unless Otherwise Stated, Is			
Above	0.5 to and including	6	±0.1
Excess	6 to and including	30	±0.2
Excess	30 to and including	120	±0.3
Excess	120 to and including	315	±0.5
Excess	315 to and including	1000	±0.8
Excess	1000 to and including	2000	±1.2



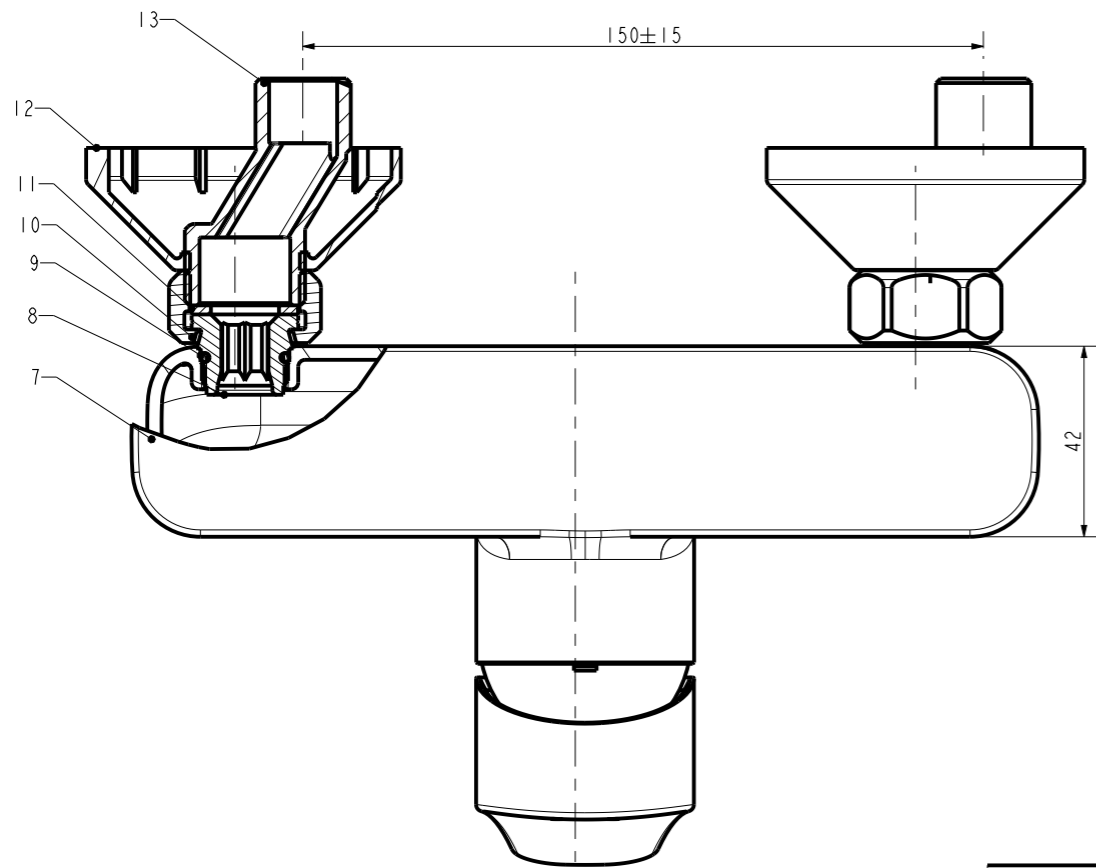
SCALE 0.600



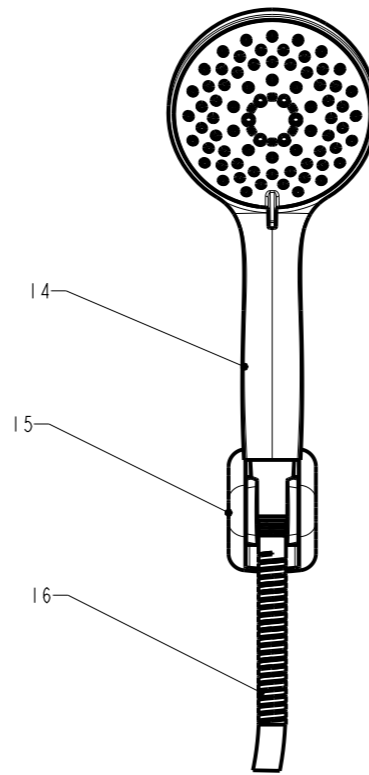
SECTION A-A



SCALE 0.300



SECTION B-B



SCALE 0.250

16	FFI-CN52IT00000025	Shower Hose	1	Assembly	
15	FFI-CN52IH00000001	Hanger	1	Assembly	
14	FFI-CN52IH00000076	Hand Spray	1	Assembly	
13	FFI-CN52IJ000000242	S-connector	2	Hpb59-1	
12	FFI-CN52IF000000094	2000 Cover	2	Hpb59-1	Chrome
11	FFI-CN52IG000000341	Washer $\varnothing 24-\varnothing 15*2$	2	Fiber	
10	FFI-CN52IN000000291	Nut G3/4"	2	Hpb59-1	Chrome
9	FFI-CN52IG000000112	O-ring $\varnothing 15.6*1.78$	2	NBR70	
8	FFI-CN52IW000000048	Connector	2	Hpb59-1	
7	FFZZ0912-70150BDPL	Body	1	GkMs60Fk	Chrome
6	FFI-CN52IC00000018	35mm Cartridge	1	Assembly	
5	FFI-CN52IN000000091	Lock Nut	1	Hpb59-1	
4	FFI-CN52IZ000000086	Plug	1	ABS	Chrome
3	FFI-CN52IF000000026	Cartridge Cover	1	ABS	Chrome
2	FFI-CN52IN000000228	Screw M5*6	1	SUS304	Chrome
1	FFI-CN52IL000000045	Handle	1	ZZnAl4-1	Chrome

No	Part No	Part Name	Qty	Material	Remark
----	---------	-----------	-----	----------	--------

DESIGNED			TITLE		
----------	--	--	-------	--	--

CHECKED			REF		
---------	--	--	-----	--	--

APPROVED			Milano Exposed Shower Mixer with Shower Kit		
----------	--	--	--	--	--

SCALE	MATERIAL	WEIGHT	DWG NO.		
-------	----------	--------	---------	--	--

1:2	Assembly		FFAS0912-702500BF0	<i>American Standard</i>	
-----	----------	--	--------------------	--------------------------	--

REV	DESCRIPTION	DATE	NAME