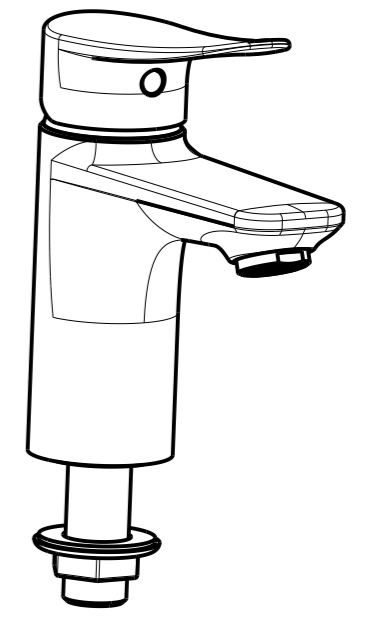
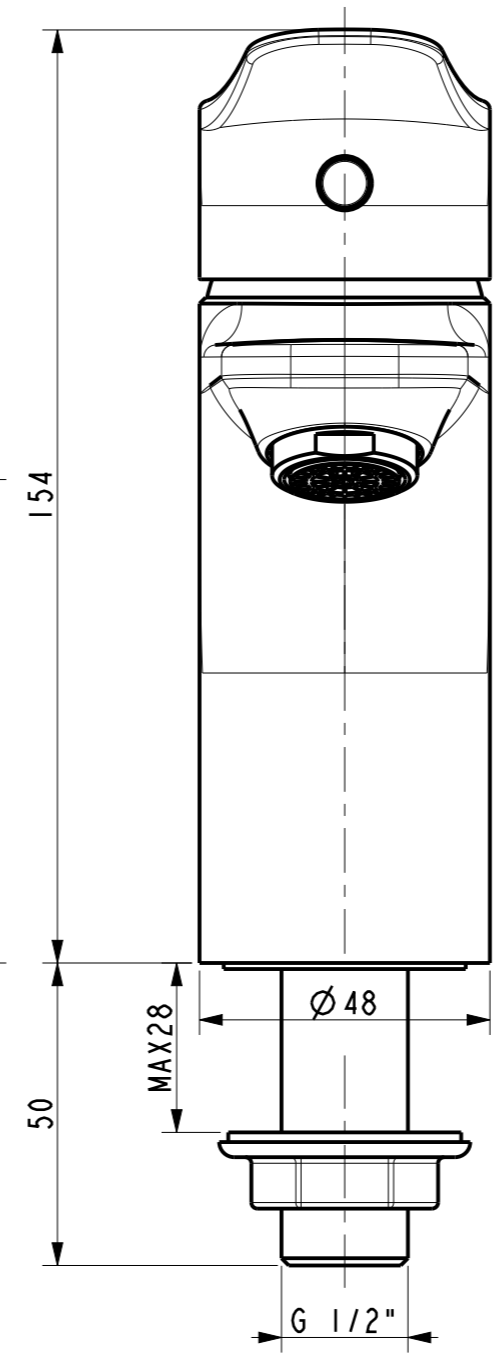
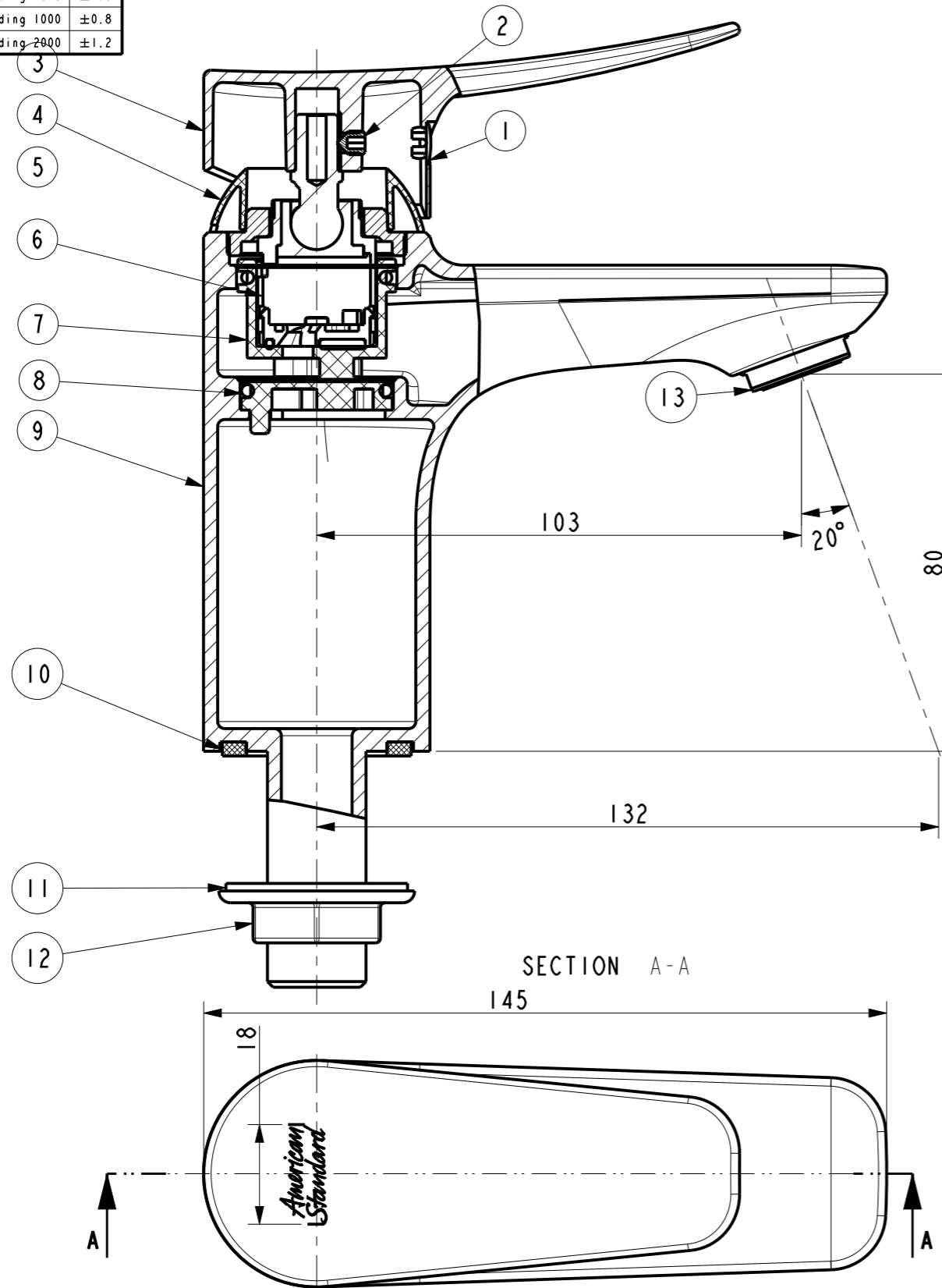


Tolerance, Unless Otherwise Stated, Is			
Above	0.5 to and including	6	±0.1
Excess	6 to and including	30	±0.2
Excess	30 to and including	120	±0.3
Excess	120 to and including	315	±0.5
Excess	315 to and including	1000	±0.8
Excess	1000 to and including	2900	±1.2



SCALE 0.400

No.	Part No.	Part Name	Qty	Material	Remark
1	FF1-CN521Z00004950	Plug	1	ABS	
2	FF1-CN521N00000228	Screw M5*6	1	SUS304	
3	FF1-CN521L000002450	Handle	1	ZZnAl4-1	
4	FF1-CN521F000000026	CARTRIDGE COVER	1	ABS	
5	FF1-CN521N000000091	Lock Nut	1	HPb59-1	
6	FF1-CN521C000000011	25# Cartridge	1	Assembly	
7	FF1-CN521J000008799	Manifold	1	PPO	
8	FF1-CN521G000000259	O-RING(23.5*2.62)	2	NBR	
9	FFZZ0021-0011050PL	Screw M5*6	1	GkMs60Fk	
10	FF1-CN521G000000037	Flat Washer 40*29.7*3	1	NBR	
11	FF1-CN521G000000074	Washer 38.5* 22.5*1.6	1	NBR	
12	FF1-CN521N000002399	G1/2" Fixing Nut	1	ABS	
13	FF1-CN521A000000043	Neoperl Aerator	1	Assembly	

DESIGNED		TITLE	Milano Basin Mono
CHECKED		REF	
APPROVED			Milano Basin Mono
SCALE	MATERIAL	WEIGHT	DWG NO.
4:5	Assembly		FFAS0906-102500BF0



REV	DESCRIPTION	DATE	NAME