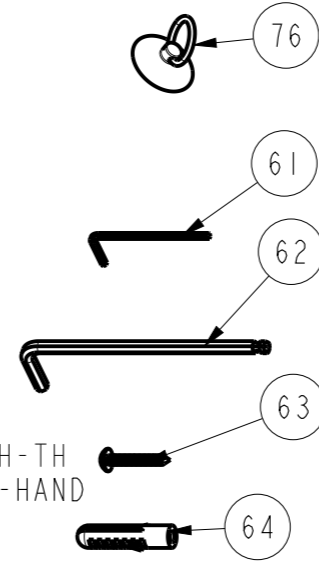
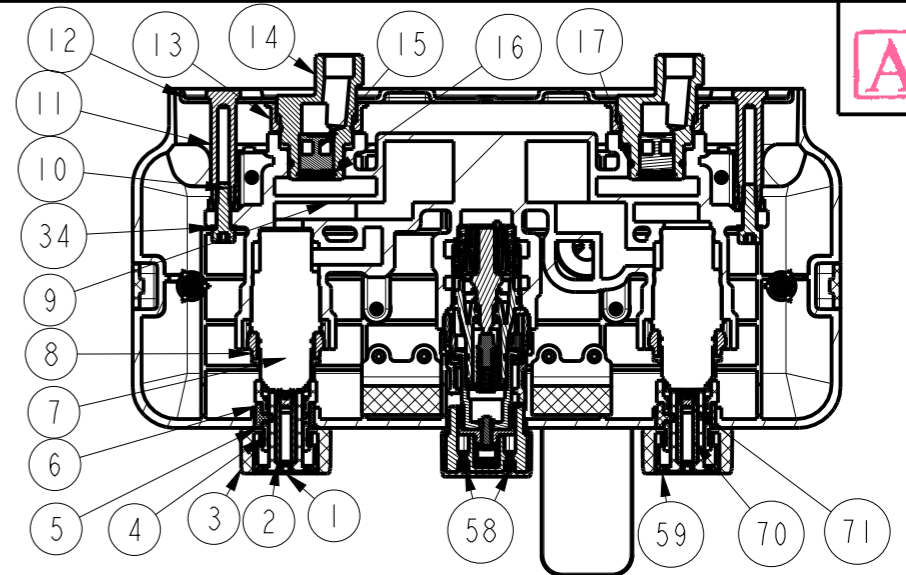
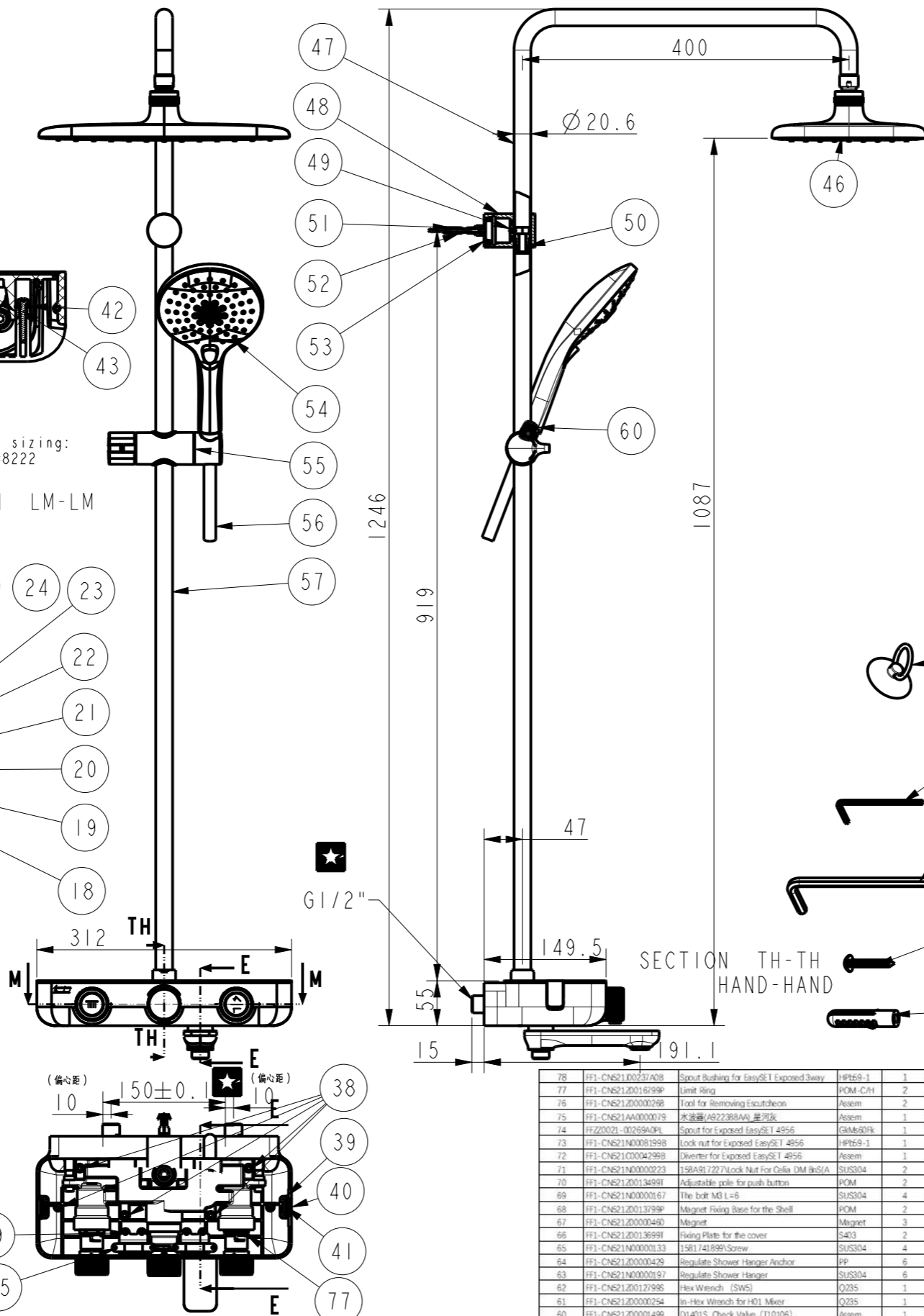
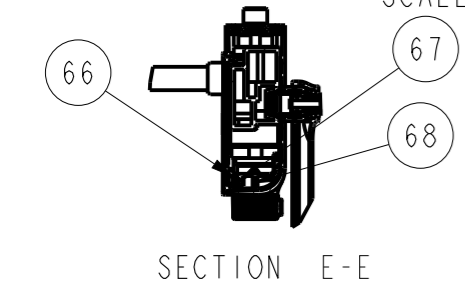
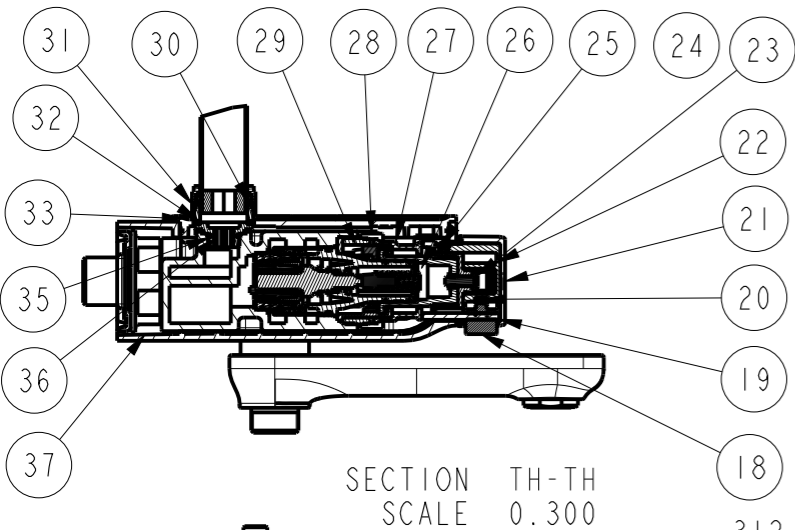
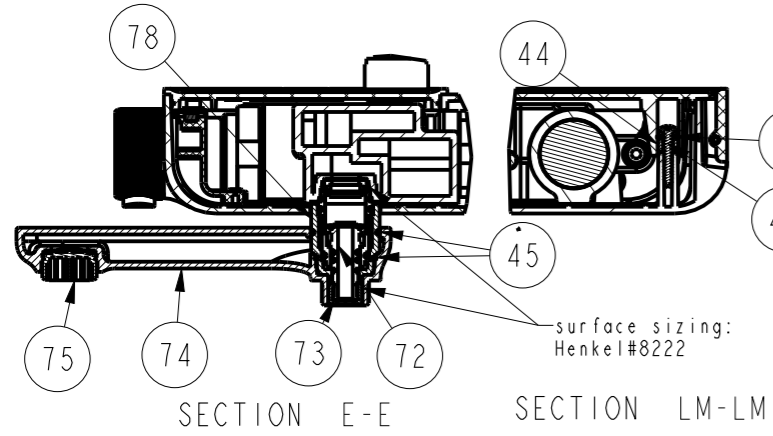


A70

Tolerance, Unless Otherwise Stated, Is			
Above 0.5 to and including 6	±0.1	6	±0.1
Excess 6 to and including 30	±0.2	30	±0.2
Excess 30 to and including 120	±0.3	120	±0.3
Excess 120 to and including 315	±0.5	315	±0.5
Excess 315 to and including 1000	±0.8	1000	±0.8
Excess 1000 to and including 2000	±1.2	2000	±1.2



NO	Part No	Description	Material	QTY	Remark
53	FPL-CNS21F00000176	Base Plate For Pipe Holder	SUS304	1	
52	FPL-CNS21Z00000420	ANCHOR(M8x76)	PP	1	
51	FPL-CNS21N00000279	6inhdEconomy Stainless SteelScrew	SUS304	1	
50	FPL-CNS21G00000268	O-Ring 11.2x2.0	NBR	1	
49	FPL-CNS21N00000227	Screw(A91738)	SUS304	2	
48	FPL-CNS21F0008540X	Pipe Holder for Exposed EasySET Shower	ZnAl4-1	1	星河灰
47	FPL-CNS21X40000045	1585521150/L Pipe for Rainshower	Assem	1	星河灰
46	FPL-CNS21H00056A0P	12" Head Shower for Exposed EasySET	Assem	1	星河灰
45	FPL-CNS21G00000254	O-Ring 23.5x1.78	NBR	2	
44	FPL-CNS21Z0012699S	Fixing Pin for EasySET Exposed	SUS304	2	
43	FPL-CNS21N00000279	6inhdEconomy Stainless SteelScrew	SUS304	2	
42	FPL-CNS21G00000108	1581210999/O-Ring 76x 71.85	NBR	2	
41	FPL-CNS21Z0009499S	Hook Spring for Exposed EasySET	SUS304	2	
40	FPL-CNS21Z00071A0P	Slide Hook for Exposed EasySET	ABS	2	星河灰
39	FPL-CNS21Z0009360B	Hook Pin for Exposed EasySET	SUS304	4	
38	FPL-CNS21N00000239	EJOT-PT-SCR EW K850-16(A918549)	SUS304	4	
37	FPL-CNS21J00142A0P	Body Shell for Exposed EasySET	ABS	1	星河灰
36	FPL-CNS21J00150A0B	Head Shower Adaptor for Exposed EasySET	HP69-1	1	星河灰
35	FPL-CNS21G00000289	O-Ring 11x1.5	NBR	1	
34	FPL-CNS21Z00000153	1581446399/O-Ring Spring Washer	SUS304	2	
33	FPL-CNS21F0006709P	Cover plate for EasySET Exposed Rain S	ABS	1	
32	FPL-CNS21G00000260	O-ring 20.35x1.78 (A91365)	NBR	1	
31	FPL-CNS21N40000097	Locknut For Shower Pipe	HP69-1	1	星河灰
30	FPL-CNS21G00000090	V Washer	NBR	1	
29	FPL-CNS21N00005050B	THM Cartridge Lock Nut for Exposed Eas	HP69-1	1	Plating
28	FPL-CNS21N00005150B	Temperature Restrictor Lock Nut for Ex	HP69-1	1	Plating
27	FPL-CNS21Z0008499P	Temperature Restrictor for Exposed Eas	POM	1	
26	FPL-CNS21C0002099P	GR-CHE Thermostatic	Assem	1	
25	FPL-CNS21N00000187	Set Screw for Acacia Single Hole Faucet	SUS304	1	
24	FPL-CNS21J0014499B	THM Cartridge Adaptor for Exposed Easy	HP69-1	1	
23	FPL-CNS21N00000194	2002 Screw (Zinc)	SUS304	1	
22	FPL-CNS21L00061A0X	THM Handle for Exposed EasySET	ZnAl4-1	1	星河灰
21	FPL-CNS21L00061A0P	THM Handle Cover for Exposed EasySET	ABS	1	星河灰
20	FPL-CNS21Z00000182	1581602599/Spring for Heritage SH Lava	SUS304	1	
19	FPL-CNS21N0000699S	Screw (M3-33)	SUS304	1	
18	FPL-CNS21J00109A0X	Handle Button for Easy Dial THM	ZnAl4-1	1	星河灰
17	FPL-CNS21G00000126	1581214699/O-Ring 715.54x2.62	NBR	2	
16	FPL-CNS21Z0008599S	Clip Ring for Check Valve	SUS304	2	
15	FPL-CNS21Z00005199	Check Valve (30404300002)	Assem	2	
14	FPL-CNS21J0014399B	S Vormactor for Exposed EasySET	HP69-1	2	
13	FPL-CNS21N0000599B	Fixing Plate Lock Nut for Exposed Eas	HP69-1	2	
12	FPL-CNS21F0006899S	Fixing Plate for Exposed EasySET	SUS304	1	
11	FPL-CNS21N0004899S	Fixing Bolt for Exposed EasySET	SUS304	2	
10	FPL-CNS21N00000123	1581722199/Bolt M6-20	SUS304	2	
9	FFZ20021-0027150PL	Body for Exposed EasySET 4956	GkM60Fk	1	Plating
8	FPL-CNS21N00000250	Lock Nut for the Push button cartridge	HP69-1	2	
7	FPL-CNS21G00000489	Push Button Cartridge	Assem	2	
6	FPL-CNS21J0010599P	Handle Bushing for Easy Dial	POM	2	Gray
5	FPL-CNS21G0003799P	Washer (26x21x0.2)	TEFLON	2	
4	FPL-CNS21J0010699P	Handle Connector for Easy Dial	POM	2	Black
3	FPL-CNS21L00062A0P	Push Button Handle for Exposed EasySET	ABS	2	星河灰
2	FPL-CNS21J0014509P	Handle Connector for Exposed EasySET	POM	2	White
1	FPL-CNS21F00044A0P	Handle Cover for Easy Dial (head shove	ABS	1	星河灰

78	FPL-CNS2100237A0B	Spout Bushing for EasySET Exposed 3way	HP69-1	1	星河灰
77	FPL-CNS2120016799P	Limit Ring	POM-C/H	2	
76	FPL-CNS2120000276B	Tool for Removing Escutcheon	Assem	2	
75	FPL-CNS21A0000079	水波器(A92238AA) 星河灰	Assem	1	星河灰
74	FFZ20021-00269A0PL	Spout for Exposed EasySET 4956	GkM60Fk	1	星河灰
73	FPL-CNS21N0008199B	Lock nut for Exposed EasySET 4956	HP69-1	1	Plating
72	FPL-CNS21G0004299B	Diverter for Exposed EasySET 4956	Assem	1	
71	FPL-CNS21N00000223	158A91722/Lock Nut for Cella DM InS/A	SUS304	2	
70	FPL-CNS2120013499I	Adjustable pole for push button	POM	2	
69	FPL-CNS21N00000167	The bolt M3 L=6	SUS304	4	
68	FPL-CNS2120013799P	Magnet Fixing Base for the Shell	POM	2	
67	FPL-CNS2120000460	Magnet	Magnet	3	
66	FPL-CNS2120013699I	Fixing Plate for the cover	S403	2	
65	FPL-CNS21N00000133	158174189P/Screw	SUS304	4	
64	FPL-CNS2120000429	Regulate Shower Hanger Anchor	PP	6	
63	FPL-CNS21N00000197	Regulate Shower Hanger	SUS304	6	
62	FPL-CNS2120012799S	Hex Wrench (SWS)	Q235	1	
61	FPL-CNS2120000254	In-Hex Wrench for H01 Mixer	Q235	1	
60	FPL-CNS21200001499	D1401S Check Valve (T10106)	Assem	1	
59	FPL-CNS21F00044A0P	Handle Cover (hand shower & Spout)	ABS	1	星河灰
58	FPL-CNS21N00000173	Screw M2.5x6	SUS304	2	
57	FPL-CNS21X0236A0B	Rainshower Pipe for Exposed EasySET (9	Assem	1	星河灰
56	FPL-CNS21A009450P	1.5m PVC Hose	Assem	1	星河灰
55	FPL-CNS21200115A0P	Easy Side holder for Exposed EasySET	Assem	1	星河灰
54	FPL-CNS21H00069A0P	Rain-click-3-Function 130mm Hand Spray	Assem	1	星河灰
NO	Part No	Description	Material	QTY	Remark

DESIGNED	区振锋	2023.11.27	TITLE EasySET Exposed Auto Temperature Shower System(3-way)_A00
CHECKED	利华斌	2023.11.27	REF
APPROVED	李华斌	2023.11.27	易舒喜挂墙式3出水恒温龙头 带龙头和花洒 星河灰
SCALE	MATERIAL	WEIGHT	DWG NO.
0.150	Assembly	[.0]	FFAS4956-601A00BF0

REV	DESCRIPTION	DATE	NAME

American Standard