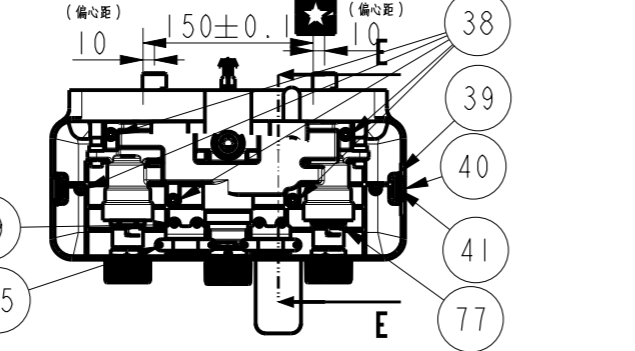
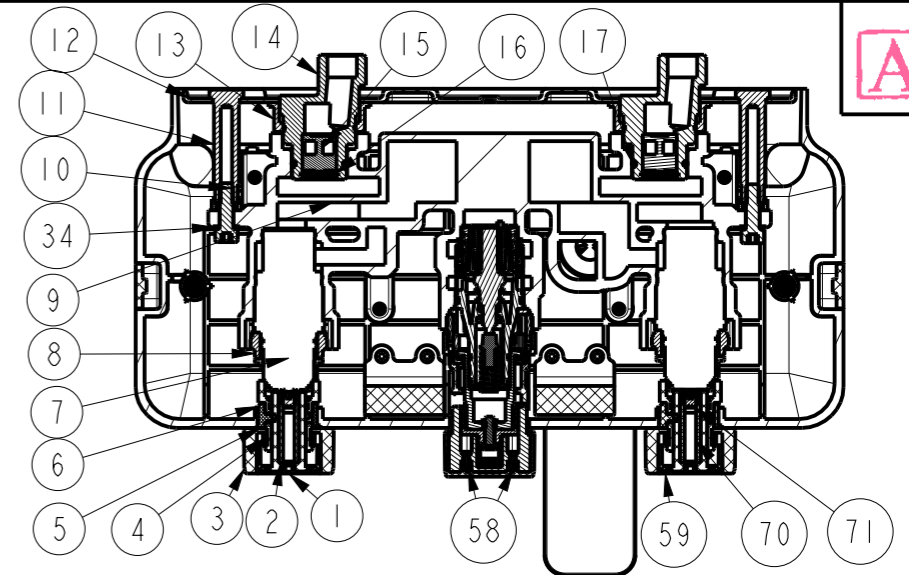
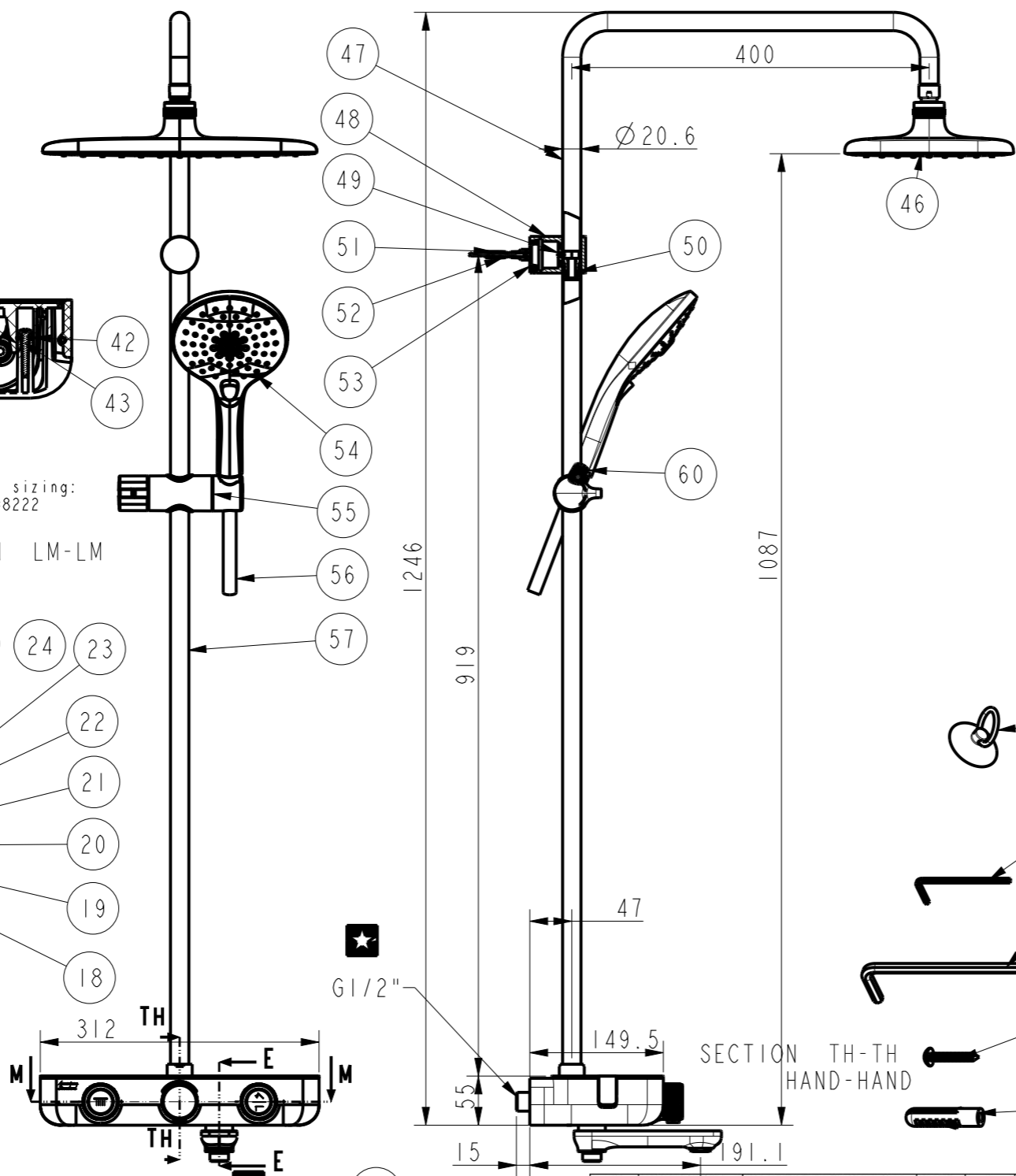
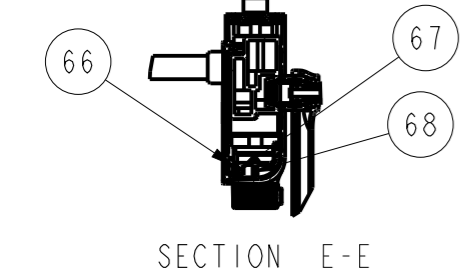
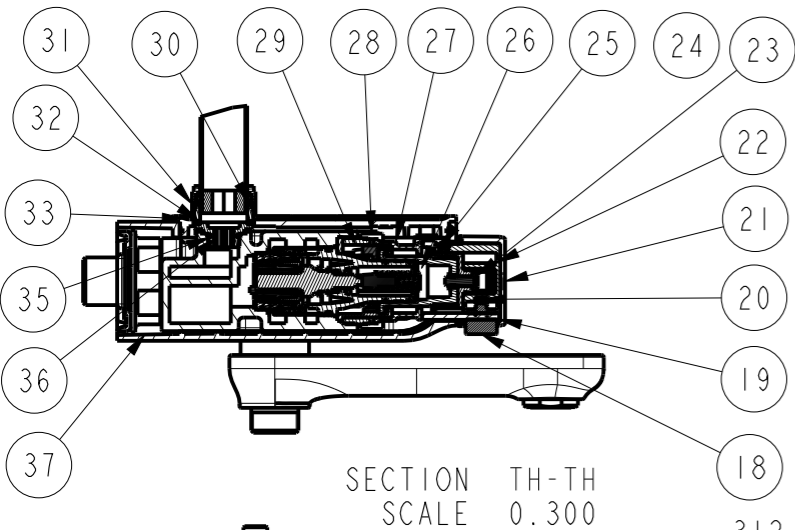
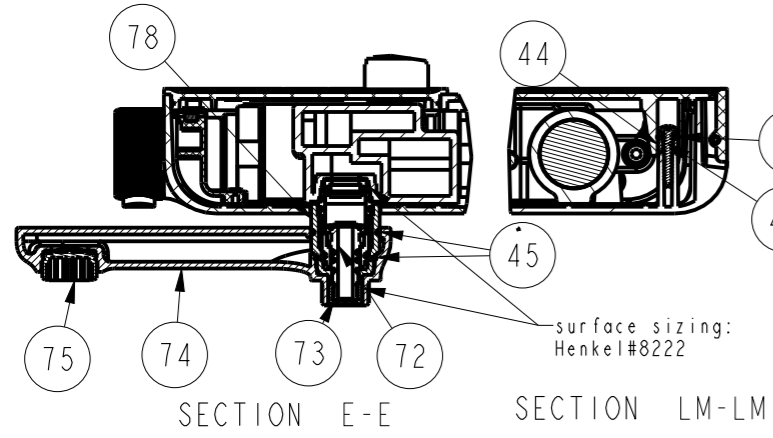


A70

Tolerance, Unless Otherwise Stated, Is			
Above 0.5 to and including 6	±0.1	6	
Excess 6 to and including 30	±0.2	30	
Excess 30 to and including 120	±0.3	120	
Excess 120 to and including 315	±0.5	315	
Excess 315 to and including 1000	±0.8	1000	
Excess 1000 to and including 2000	±1.2	2000	



78	FF1-CNS2100237DA8	Spout Bushing for EasySET Exposed 3way	HP69-1	1	温镀金
77	FF1-CNS2120016799P	Limit Ring	POM-CH	2	
76	FF1-CNS2120000268	Tool for Removing Escutcheon	Assem	2	
75	FF1-CNS21A0A00079	水喷嘴(A92238AA) 温镀金	Assem	1	温镀金
74	FF2Z0021-00269DA8	Spout for Exposed EasySET 4956	GKM60FK	1	温镀金
73	FF1-CNS21N00081998	Lock nut for Exposed EasySET 4956	HP69-1	1	Plating
72	FF1-CNS21O0042988	Diverter for Exposed EasySET 4956	Assem	1	
71	FF1-CNS21N0000223	158A917227 Lock Nut for Cella DM 8x5A	SUS304	2	
70	FF1-CNS21200134991	Adjustable pole for push button	POM	2	
69	FF1-CNS21N00000167	The bolt M3 L=6	SUS304	4	
68	FF1-CNS2120013799P	Magnet Fixing Base for the Shell	POM	2	
67	FF1-CNS2120000460	Magnet	Magnet	3	
66	FF1-CNS21200136991	Fixing Plate for the cover	S403	2	
65	FF1-CNS21N00000133	1581741899 Screw	SUS304	4	
64	FF1-CNS2120000429	Regulate Shower Hanger Anchor	PP	6	
63	FF1-CNS21N00000197	Regulate Shower Hanger	SUS304	6	
62	FF1-CNS21200127995	Hex Wrench (SWS)	Q235	1	
61	FF1-CNS21200000254	In-Hex Wrench for H01 Mixer	Q235	1	
60	FF1-CNS21200001499	D1401S Check Valve (T10106)	Assem	1	
59	FF1-CNS21F00044DAP	Handle Cover (hand shower & Spout)	ABS	1	温镀金
58	FF1-CNS21N00000173	Screw M2.5x6	SUS304	2	
57	FF1-CNS21X00236DA8	Rainshower Pipe for Exposed EasySET (9	Assem	1	温镀金
56	FF1-CNS21D0A09450P	1.5m PVC Hose	Assem	1	温镀金
55	FF1-CNS21200115DAP	Easy Slide holder for Exposed EasySET	Assem	1	温镀金
54	FF1-CNS21H00063DAP	Rain-click-3-Function 130mm Hand Spray	Assem	1	温镀金
NO	Part No.	Description	Material	QTY	Remark

53	FF1-CNS21F00000176	Base Plate For Pipe Holder	SUS304	1	
52	FF1-CNS21Z00000420	ANCHOR(M9x767)	PP	1	
51	FF1-CNS21N00000279	6inhdEconomy Stainless SteelScrew	SUS304	1	
50	FF1-CNS21G00000268	O-Ring 11.2x2.0	NBR	1	
49	FF1-CNS21N00000227	Screw(A917388)	SUS304	2	
48	FF1-CNS21F00085DAX	Pipe Holder for Exposed EasySET Shower	Z2nAl4-1	1	温镀金
47	FF1-CNS21XDA000045	1585521150 L Pipe for Rainshower	Assem	1	温镀金
46	FF1-CNS21H00056DAP	12" Head Shower for Exposed EasySET	Assem	1	温镀金
45	FF1-CNS21G00000254	O-Ring 23.5x1.78	NBR	2	
44	FF1-CNS21Z0012699S	Fixing Pin for EasySET Exposed	SUS304	2	
43	FF1-CNS21N00000279	6inhdEconomy Stainless SteelScrew	SUS304	2	
42	FF1-CNS21G00000108	1581210999 O-Ring 76x 71.85	NBR	2	
41	FF1-CNS21Z0009499S	Hook Spring for Exposed EasySET	SUS304	2	
40	FF1-CNS21Z00071DAP	Slide Hook for Exposed EasySET	ABS	2	温镀金
39	FF1-CNS21Z00093608	Hook Pin for Exposed EasySET	SUS304	4	
38	FF1-CNS21N00000239	EJOT-PT-SCR EW K850-16(A918549)	SUS304	4	
37	FF1-CNS21J00142DAP	Body Shell for Exposed EasySET	ABS	1	温镀金
36	FF1-CNS21J00160DAB	Head Shower Adaptor for Exposed EasySET	HP69-1	1	温镀金
35	FF1-CNS21G00000289	O Ring 11x1.5	NBR	1	
34	FF1-CNS21Z00000153	1581446399 O6 Spring Washer	SUS304	2	
33	FF1-CNS21F0006709P	Cover plate for EasySET Exposed Rain S	ABS	1	
32	FF1-CNS21G00000260	O-ring 20.35x1.78 (A913655)	NBR	1	
31	FF1-CNS21NDA000097	Locknut For Shower Pipe	HP69-1	1	温镀金
30	FF1-CNS21G00000090	V Washer	NBR	1	
29	FF1-CNS21N000050508	THM Cartridge Lock Nut for Exposed Eas	HP69-1	1	Plating
28	FF1-CNS21N000051508	Temperature Restrictor Lock Nut for Er	HP69-1	1	Plating
27	FF1-CNS21Z0008499P	Temperature Restrictor for Exposed Eas	POM	1	
26	FF1-CNS21C0002099P	GR-CHE Thermostatic	Assem	1	
25	FF1-CNS21N00000187	Set Screw for Acacia Single Hole Faucet	SUS304	1	
24	FF1-CNS21J0014499B	THM Cartridge Adaptor for Exposed Easy	HP69-1	1	
23	FF1-CNS21N00000194	2002 Screw (Zinc)	SUS304	1	
22	FF1-CNS21J00061DAX	THM Handle for Exposed EasySET	Z2nAl4-1	1	温镀金
21	FF1-CNS21L00061DAP	THM Handle Cover for Exposed EasySET	ABS	1	温镀金
20	FF1-CNS21Z00000182	1581602599 Spring for Heritage SH Lava	SUS304	1	
19	FF1-CNS21N00006995	Screw (M3x33)	SUS304	1	
18	FF1-CNS21J00109DAX	Handle Button for Easy Dial THM	Z2nAl4-1	1	温镀金
17	FF1-CNS21G00000126	1581214699 O-Ring 715.54x2.62	NBR	2	
16	FF1-CNS21Z0008599S	Clip Ring for Check Valve	SUS304	2	
15	FF1-CNS21Z00005199	Check Valve (30404300002)	Assem	2	
14	FF1-CNS21J0014399B	S Vormactor for Exposed EasySET	HP69-1	2	
13	FF1-CNS21N00002998	Fixing Plate Lock Nut for Exposed Eas	HP69-1	2	
12	FF1-CNS21F00068995	Fixing Plate for Exposed EasySET	SUS304	1	
11	FF1-CNS21N00048995	Fixing Bolt for Exposed EasySET	SUS304	2	
10	FF1-CNS21N00000123	1581722199 Bolt M6-20	SUS304	2	
9	FF2Z0021-0027150PL	Body for Exposed EasySET 4956	GKM60FK	1	Plating
8	FF1-CNS21N00000250	Lock Nut for the Push button cartridge	HP69-1	2	
7	FF1-CNS21C00000489	Push Button Cartridge	Assem	2	
6	FF1-CNS21J0010599P	Handle Bushing for Easy Dial	POM	2	Gray
5	FF1-CNS21G00003799P	Washer (26x21x0.2)	TEFLON	2	
4	FF1-CNS21J0010699P	Handle Connector for Easy Dial	POM	2	Black
3	FF1-CNS21L00062DAP	Push Button Handle for Exposed EasySET	ABS	2	温镀金
2	FF1-CNS21J0014509P	Handle Connector for Exposed EasySET	POM	2	White
1	FF1-CNS21F00044DAP	Handle Cover for Easy Dial (head shov	ABS	1	温镀金
NO	Part No.	Description	Material	QTY	Remark

DESIGNED	区振锋	2023.11.27	TITLE EasySET Exposed Auto Temperature Shower System(3-way)_DA0
CHECKED	利华斌	2023.11.27	REF
APPROVED	郭奇志	2023.11.27	易舒喜挂墙式3出水恒温龙头 带龙头和花洒_温镀金
SCALE	MATERIAL	WEIGHT	DWG NO.
0.150	Assembly	[.0]	FFAS4956-60IDA0BF0

REV	DESCRIPTION	DATE	NAME

American Standard